



# ORGA-LINE for TANDEMBOX

Order specification









# So many practical advantages

- 4** Ideas for practical kitchens
- 6** ORGA-LINE Configurator
- 8** ORGA-LINE for drawers
- 16** ORGA-LINE for high fronted pull-outs
  - TANDEMBOX intivo
  - TANDEMBOX antaro
- 24** ORGA-LINE kitchen accessories
- 26** Recommendation for kitchen applications
- 30** Blum
- 32** Cleaning information

# DYNAMIC SPACE



## Ideas for practical kitchens

### What makes kitchens practical?

Kitchens have to prove themselves during everyday activities for up to 20 years or more. A well equipped kitchen can lessen the workload and support kitchen users in their daily tasks. Blum requirement research has shown that practical kitchens have three essential features: simple workflows, optimal space usage and top quality motion. In short, workflow, space and motion.

### DYNAMIC SPACE delivers ideas for practical kitchens.

Well designed products such as ORGA-LINE bring high levels of functionality to every kitchen. ORGA-LINE inner dividers and containers organise interiors ensuring clear visibility of all drawer contents. Our experience and research data can provide helpful insights during the kitchen planning phase. Be inspired!

For more information about DYNAMIC SPACE go to  [www.blum.com](http://www.blum.com)



# So many practical advantages

## Practical flexibility

ORGA-LINE containers, lateral and cross dividers can be arranged as required depending on the item being stored. Whatever you need to store, ORGA-LINE provides practical organisation in your drawers and optimised storage space.



## Practical overview

ORGA-LINE inner dividers and containers organise pull-out and drawer interiors ensuring clear visibility of all contents. Containers, lateral and cross dividers help create the opportunity for items to be easily stored, separated and easy to access. When your guests want to help out in the kitchen, the right equipment quickly comes to hand.



## Practical accessories

ORGA-LINE kitchen accessories simplify daily workflows. Spice, knife and plate holders and the film and foil dispenser ensure that everything is exactly where it should be. We also have a practical set of kitchen accessories which can be ordered with a single order number.

## Practical clean-up

The ORGA-LINE inner dividing system has high-quality stainless steel containers and utensil dividers that provide clear visibility and easy access to all contents. Sets can be flexibly arranged in drawers, and items are organised and kept safe. The containers can be easily removed and are designed for dishwasher use. Now that's practical!



## Fast and simple

We support you with our online services to maintain an overview of ORGA-LINE and the associated kitchen accessories.

Using the web browser of your choice, you have access 24/7 to ORGA-LINE online for quick and easy personalised configuration options.



For drawers with utensil dividers and containers



For pull-outs with lateral and cross dividers



Enhanced by practical ORGA-LINE kitchen accessories



Use the online product configurator to find the right organisational system.

Selecting an ORGA-LINE system is very easy using the online product configurator. All you have to do is select the product line and enter the drawer dimensions to get a suggestion for your interior organisational system.

**Your advantages at a glance:**

- Intuitive interface – quick and easy
- Online availability 24/7
- Product solutions and assembly information
- Content is always up-to-date
- Correct, error-free results as tested by Blum

<b>i</b>	<b>Information</b>
Coming soon	

# ORGA-LINE for drawers

## Overview of ORGA-LINE sets

Blum offers practical inner dividing systems for drawers for every type of storage item. ORGA-LINE sets with high quality stainless steel trays and/or utensil dividers are available in all nominal lengths from 450 to 650 mm. We have the right applications for any drawer width, providing excellent organisation and overview.



### Flexible cutlery dividers

Cutlery and so much more stay perfectly organised in the high quality, hygienic stainless steel trays. The containers are removable and dishwasher safe.



### Flexible utensil dividers

Storage items of every shape and size are a perfect fit for ORGA-LINE. The flexible utensil dividers can be arranged to fit your needs.



### Combo sets

This combination of utensil dividers and containers are not just for the kitchen – you can use them throughout the entire house.



## Practical combinations

ORGA-LINE sets for drawers can be combined with foil/film dispensers and a knife holder. Practical kitchen accessories ensure simple workflows and easy handling.



### Individual foil/film dispenser

The foil or film dispenser fits perfectly in the narrow utensil divider for quick and easy access.



### Foil/Film dispenser as a set

The wide utensil divider provides a perfect drawer location for both foil and film dispensers.



### Knife holder

The knife holder is ideal for the wide utensil divider, providing practical storage for up to 9 knives.

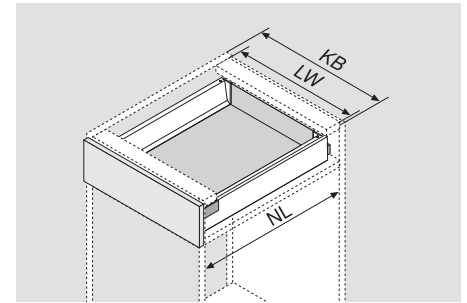
# ORGA-LINE for drawers

## Container sets

- Container sets are especially practical for kitchen applications
- Well-suited for cutlery
- For drawers and inner drawers with cabinet widths 275 to 1200 mm
- Available in all nominal lengths from 450 to 650 mm
- Removable containers – dishwasher proof
- Can be combined with a film/foil dispenser or knife holder

### Order specification

### Space requirement



KB	Cabinet width
LW	Inner cabinet width
NL	Nominal length

Cabinet widths 275–399 mm	
NL	Part No.
450 mm	ZSI.450B11N
500 mm	ZSI.500B11N
550 mm	ZSI.550B11N
650 mm	ZSI.650B11N

Cabinet widths 400–449 mm	
NL	Part No.
450 mm	ZSI.450B13N
500 mm	ZSI.500B13
550 mm	ZSI.550B13
650 mm	ZSI.650B13

Cabinet width 450 mm	
NL	Part No.
450 mm	ZSI.45VE14
500 mm	ZSI.45VE16
550 mm	ZSI.45VE17

Cabinet widths 451–499 mm	
NL	Part No.
450 mm	ZSI.450B13N
500 mm	ZSI.500B13
550 mm	ZSI.550B13
650 mm	ZSI.650B13

Cabinet widths 501–549 mm	
NL	Part No.
450 mm	ZSI.450B13N
500 mm	ZSI.500B13
550 mm	ZSI.550B13
650 mm	ZSI.650B13

Cabinet widths 551–599 mm	
NL	Part No.
500 mm	ZSI.500K14

Cabinet width 600 mm	
NL	Part No.
450 mm	ZSI.60VE14
500 mm	ZSI.60VE16
550 mm	ZSI.60VE17


Cabinet widths 601–799 mm	
NL	Part No.
450 mm	ZSI.450B11N + ZSI.450B13N
500 mm	ZSI.500B11N + ZSI.500B13
550 mm	ZSI.550B11N + ZSI.550B13
650 mm	ZSI.650B11N + ZSI.650B13


Cabinet width 800 mm	
NL	Part No.
450 mm	ZSI.80VE14
500 mm	ZSI.80VE16
550 mm	ZSI.80VE17


◀ Set fully fills drawer




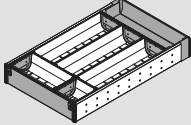



Cabinet widths 801–899 mm	
	
NL	Part No.
450 mm	2x ZSI.450BI3N
500 mm	2x ZSI.500BI3
550 mm	2x ZSI.550BI3
650 mm	2x ZSI.650BI3

Cabinet width 900–999 mm	
	
NL	Part No.
450 mm	ZSI.90VEI4
500 mm	ZSI.90VEI6
550 mm	ZSI.90VEI7

Cabinet width 1000 mm	
	
NL	Part No.
450 mm	ZSI.10VEI4
500 mm	ZSI.10VEI6
550 mm	ZSI.10VEI7

Cabinet widths 1001–1199 mm	
	
NL	Part No.
500 mm	2x ZSI.500KI4

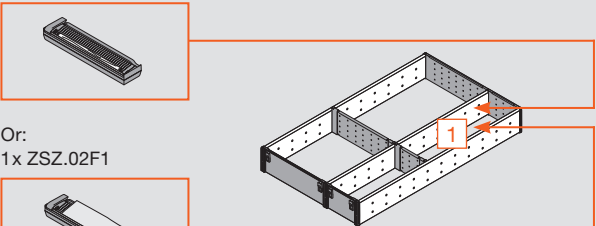
Timber drawers cabinet width 600mm	
	
NL	Part No.
500 mm	ZHI.437BI3

SPACE CORNER	
	
NL	Part No.
650 mm	ZSI.500BI3E

## ORGA-LINE kitchen accessories

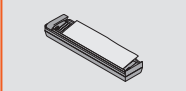
**i** Placement of kitchen accessories

**1** 1x ZSZ.01F1

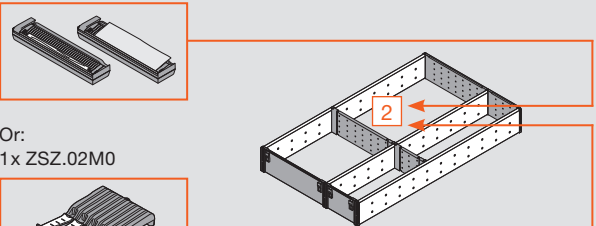


Or:

**1** 1x ZSZ.02F1

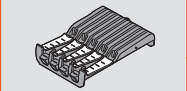


**2** 1x ZSZ.01F1 + 1x ZSZ.02F1



Or:

**2** 1x ZSZ.02M0



**1 2** Please see pages 24/25 for more information about the knife holder and foil/film dispenser.

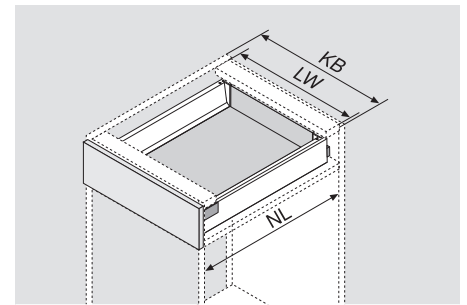
# ORGA-LINE for drawers

## Utensil divider sets

- Utensil divider sets are practical for kitchen applications as well as other areas of the home
- For drawers and inner drawers with cabinet widths 275 to 1000 mm
- Available in all nominal lengths from 450 to 650 mm
- Removable containers – dishwasher proof
- Can be combined with a film/foil dispenser or knife holder

### Order specification

### Space requirement



KB Cabinet width

LW Inner cabinet width

NL Nominal length

Cabinet widths 275–399 mm	
NL	Part No.
450 mm	ZSI.450B11N
500 mm	ZSI.500B11N
550 mm	ZSI.550B11N
650 mm	ZSI.650B11N

Cabinet widths 400–599 mm	
2	
NL	Part No.
450 mm	ZSI.450F12N
500 mm	ZSI.500F12N
550 mm	ZSI.550F12N
650 mm	ZSI.650F12N

Cabinet width 600 mm	
2	
NL	Part No.
450 mm	ZSI.60VUI4
500 mm	ZSI.60VUI6
550 mm	ZSI.60VUI7

Cabinet width 800 mm	
2 2	
NL	Part No.
450 mm	ZSI.80VUI4
500 mm	ZSI.80VUI6
550 mm	ZSI.80VUI7
650 mm	ZSI.80VUI9

Cabinet width 900 mm	
2 2	
NL	Part No.
450 mm	ZSI.90VUI4
500 mm	ZSI.90VUI6
550 mm	ZSI.90VUI7

Cabinet width 1000 mm	
1 2 2	
NL	Part No.
450 mm	ZSI.10VUI4
500 mm	ZSI.10VUI6
550 mm	ZSI.10VUI7

Timber drawers cabinet width 600mm	
NL	Part No.
500mm	ZHI.437F13

SPACE CORNER	
2 1	
NL	Part No.
650 mm	ZSI.500F13

◀ Set fully fills drawer

1 2 Please see pages 24/25 for more information about the knife holder and foil/film dispenser.





# ORGA-LINE for drawers


## Combo sets

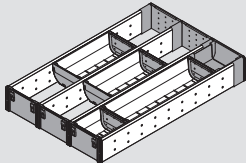
- Combinations of utensil dividers and containers are well-suited for the kitchen and the living area
- For drawers and inner drawers with cabinet widths 275 to 750 mm
- Available in all nominal lengths from 450 to 650 mm
- Removable containers – dishwasher proof
- Can be combined with a film/foil dispenser or knife holder


### Order specification

Cabinet widths 275–449 mm	
	
NL	Part No.
450 mm	ZSI.450B1N
500 mm	ZSI.500B1N
550 mm	ZSI.550B1N
650 mm	ZSI.650B1N

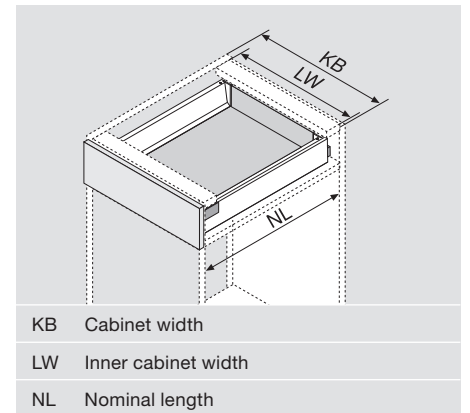
Cabinet widths 450–600 mm	
	
NL	Part No.
500 mm	ZSI.500MI3
550 mm	ZSI.550MI3

Cabinet width 601–750 mm	
	
NL	Part No.
500 mm	ZSI.500B1N + ZSI.500MI3
550 mm	ZSI.550B1N + ZSI.550MI3

Timber drawers cabinet width 600mm	
	
NL	Part No.
500 mm	ZHI.437MI3

SPACE CORNER	
	
NL	Part No.
650 mm	ZSI.500F13

### Space requirement



**1** **2** Please see pages 24/25 for more information about the knife holder and foil/film dispenser.

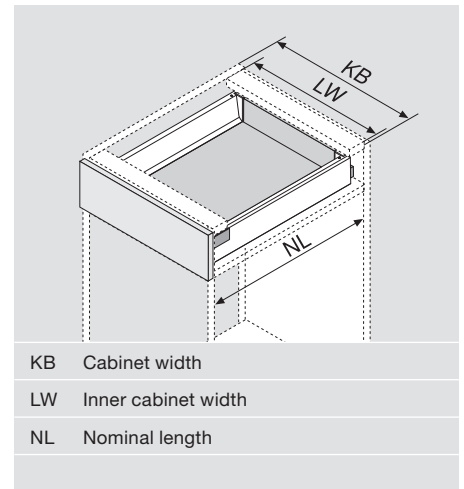
# ORGA-LINE for drawers

## Individual sets

- These flexible, modular sets are well-suited for applications in the kitchen as well as other living areas
- For drawers and inner drawers in different cabinet widths
- Available in all nominal lengths from 450 to 650 mm
- Sets include utensil dividers, container sets or a combination of the two
- Removable containers – dishwasher proof
- Can be combined with a film/foil dispenser or knife holder

### Order specification

### Space requirement



**Set BI1**

NL	Part No.
450 mm	ZSI.450BI1N
500 mm	ZSI.500BI1N
550 mm	ZSI.550BI1N
650 mm	ZSI.650BI1N

**Set BI3**

NL	Part No.
450 mm	ZSI.450BI3N
500 mm	ZSI.500BI3
550 mm	ZSI.550BI3
650 mm	ZSI.650BI3

**Set MI3**

NL	Part No.
500 mm	ZSI.500MI3
550 mm	ZSI.550MI3

**Foil dispenser**

	Part No.
for aluminium foil	ZSZ.02F1

1	1x ZSZ.01F1
2	1x ZSZ.01F1 + 1x ZSZ.02F1

**Knife holder**

	Part No.
For 9 knives	ZSZ.02M0

2	1x ZSZ.02M0
---	-------------

**Film dispenser**

	Part No.
For plastic film	ZSZ.01F1

1	1x ZSZ.01F1
2	1x ZSZ.01F1 + 1x ZSZ.02F1



## Order specification

Set BI3E for SPACE CORNER	
NL	Part No.
650 mm	<b>ZSI.500BI3E</b>

Adjustable cross dividers	
Width	Part No.
88 mm	<b>ZSI.010Q</b>
176 mm	<b>ZSI.020Q</b>

Containers	
Size	Part No.
88 x 88 mm	<b>ZSI.010SI</b>
88 x 176 mm	<b>ZSI.020SI</b>
88 x 264 mm	<b>ZSI.030SI</b>
88 x 352 mm	<b>ZSI.040SI</b>

## ORGA-LINE kitchen accessories

Please see pages 24/25 for more information.

**i** Placement of kitchen accessories

**1** 1x ZSZ.01F1

Or:  
**1** 1x ZSZ.02F1

**2** 1x ZSZ.01F1 + 1x ZSZ.02F1

Or:  
**2** 1x ZSZ.02M0

ORGA-LINE for TANDEMBOX intivo



Silk white



Terra black

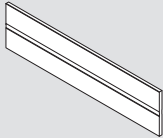


Stainless steel



## Order specification

### 1a Cross divider for cutting to size



KB	Part No.
1200 mm	<b>Z40L1077A</b>
Silk white, terra black, nickel plated	
Alu for cutting to size	
Cutting:	
X = LW - 91 mm	
Y = LW - 320 mm (KB 300)	
Z = 177 mm (KB 300)	

### 1b Cross divider connector

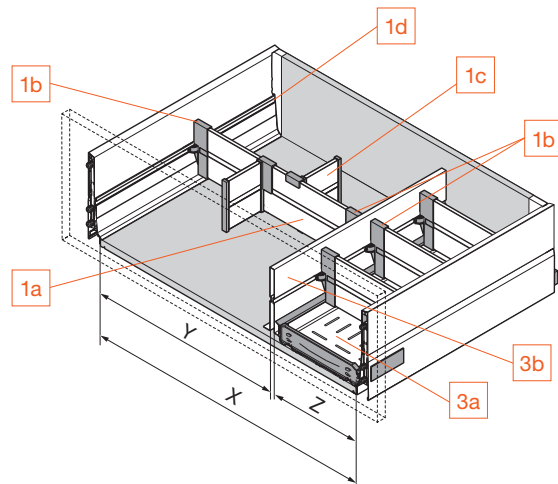


	Part No.
Silk white, terra black, dust grey	<b>Z40L0002</b>

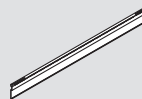
### 1c Lateral divider



	Part No.
Silk white, terra black	<b>Z43L100S</b>
Stainless steel	<b>Z43L100I</b>

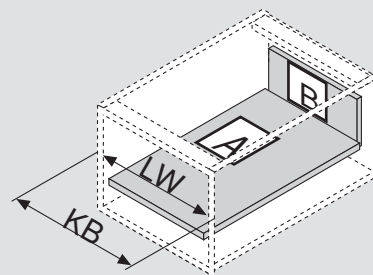


### 1d Adapter profile for cross divider

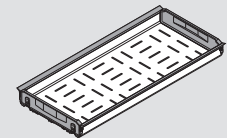


NL	Part No.	Part No.
450 mm 2x	<b>Z49L422S</b>	<b>Z49L422I</b>
500 mm 2x	<b>Z49L472S</b>	<b>Z49L472I</b>
550 mm 2x	<b>Z49L522S</b>	<b>Z49L522I</b>
650 mm 2x	<b>Z49L622S</b>	<b>Z49L622I</b>
	Silk white, terra black	Stainless steel

KB Cabinet width  
LW Inner cabinet width  
NL Nominal length

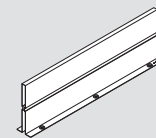


### 3a Bottle rack



NL	Part No.	Part No.
450 mm		<b>Z48.30B014</b>
500 mm		<b>Z48.30B016</b>
550 mm		<b>Z48.30B017</b>
		KB 300 mm

### 3b Dividing wall



Not available for the inner pull-out

NL	Part No.	Part No.
450 mm	<b>Z46L420S</b>	<b>Z46L420I</b>
500 mm	<b>Z46L470S</b>	<b>Z46L470I</b>
550 mm	<b>Z46L520S</b>	<b>Z46L520I</b>
	Silk white, terra black	Stainless steel

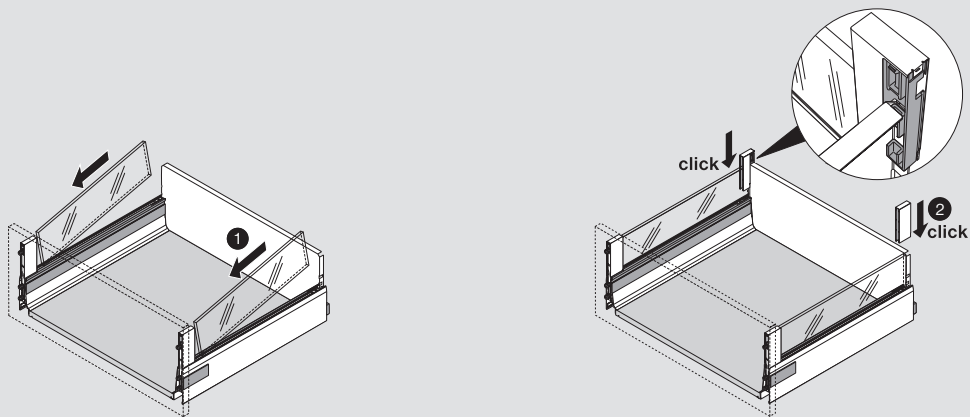


# ORGA-LINE for TANDEMBOX intivo

## Assembly and setup

BOXCOVER and BOXCAP

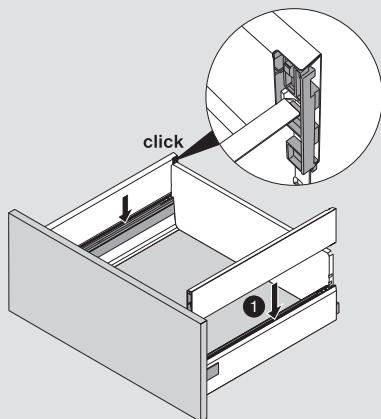
Design element and BOXCOVER assembly



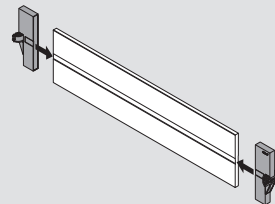
BOXCOVER and BOXCAP

Cross divider for cutting to size

BOXCAP assembly

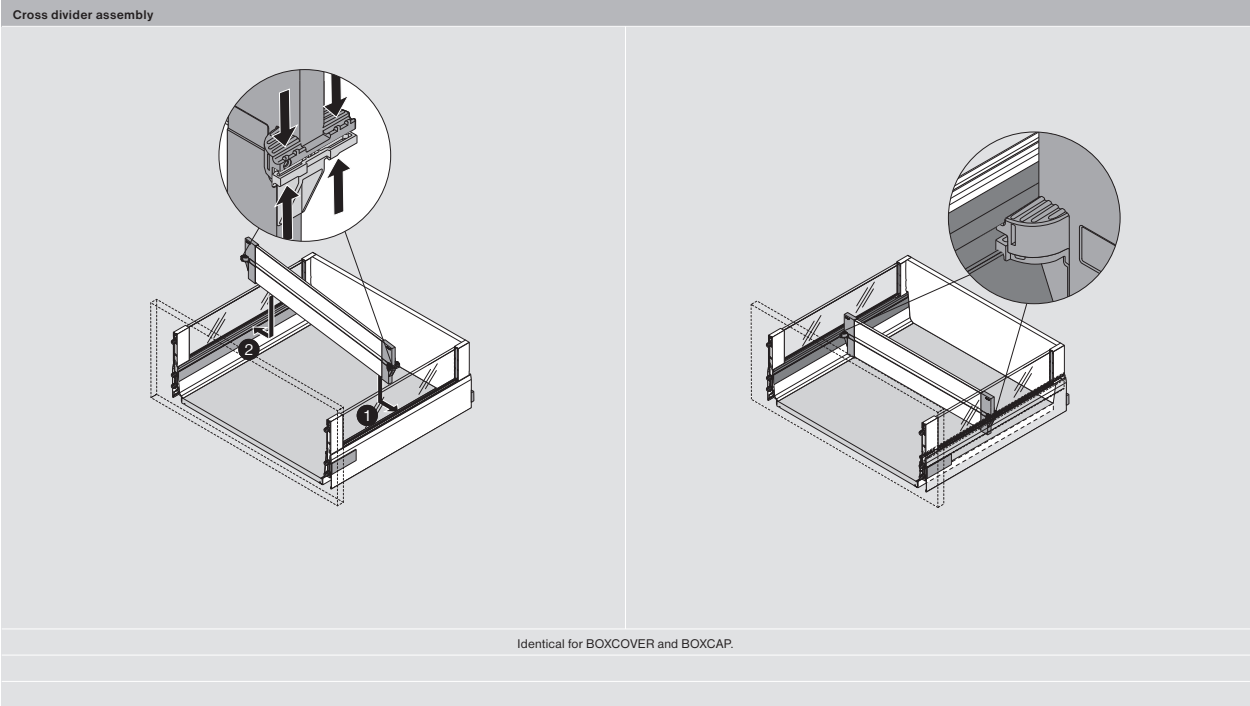


Cross divider connector assembly

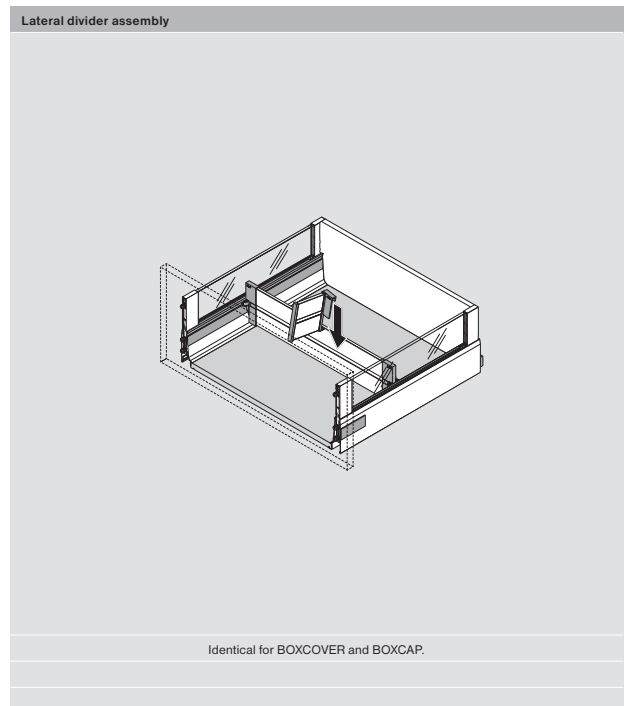
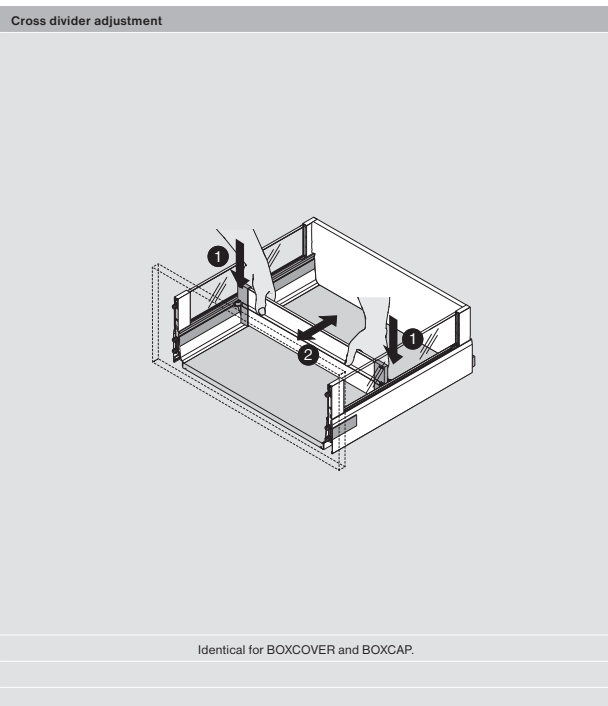




BOXCOVER and BOXCAP



BOXCOVER and BOXCAP



# ORGA-LINE for TANDEMBOX antaro



Cross divider, height C



Cross divider, height D



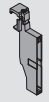
Cross gallery

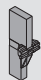


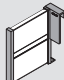


## Order specification

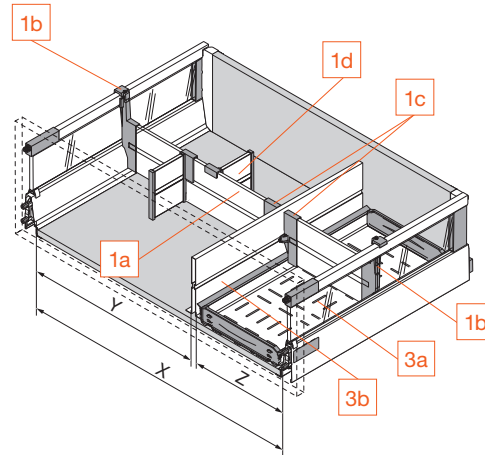
1a Cross divider for cutting to size	
	
KB	Part No.
1200 mm	<b>Z40L1077A</b>
Silk white	
Alu for cutting to size	
Cutting:	X = LW - 91 mm
Y = LW - 295 (KB 275)	Y = LW - 320 mm (KB 300)
Z = 152 mm (KB 275)	Z = 177 mm (KB 300)

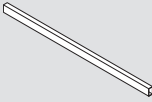
1b Cross divider connector	
	
For gallery	Part No.
For height C	<b>Z40C0002Z</b>
For height D	<b>Z40D0002Z</b>
Silk white	

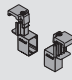
1c Cross divider connector	
	
	Part No.
For dividing wall	<b>Z40L0002</b>
Silk white	

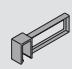
1d Lateral divider	
	
	Part No.
Silk white	<b>Z43L100S</b>

## Cross divider

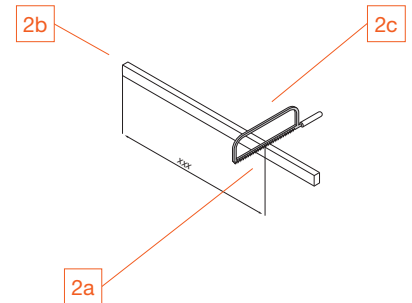


2a Cross gallery for cutting to size	
	
KB	Part No.
1200 mm	<b>ZRG.1104Q</b>
Silk white	
Alu for cutting to size	
Cutting: LW - 63 mm	

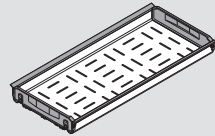
2b Cross gallery connector	
	
	Part No.
Silk white	<b>ZRU.01E0</b>

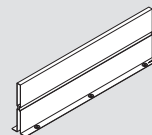
2c Lateral divider for cross gallery	
	
	Part No.
Silk white	<b>ZRU.11F0</b>

## Cross gallery



**i** The cross gallery cannot be used in combination with a dividing wall.

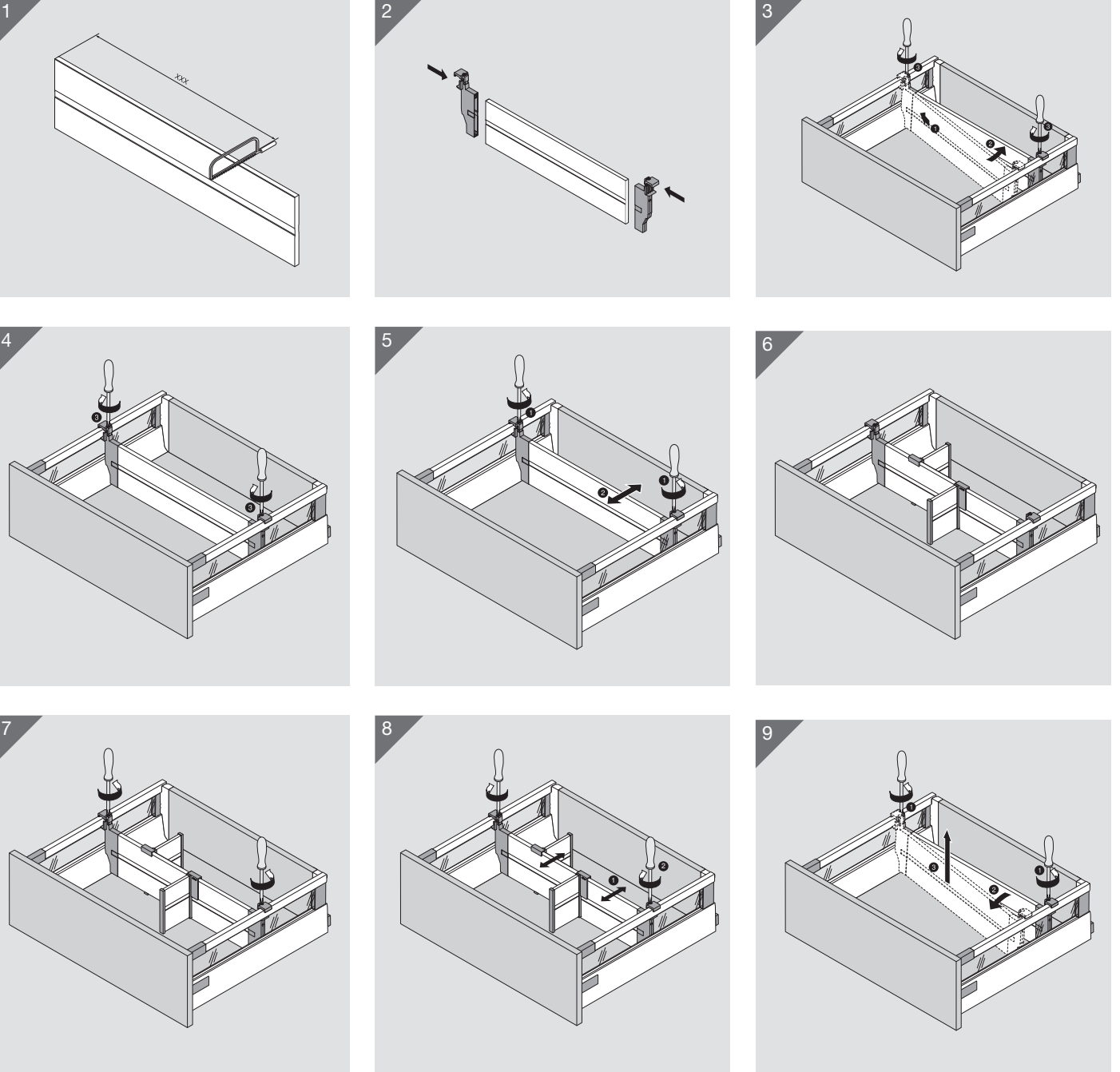
3a Bottle rack		
		
NL	Part No.	Part No.
450 mm		<b>Z48.30B014</b>
500 mm		<b>Z48.30B016</b>
550 mm		<b>Z48.30B017</b>
	KB 275 mm	KB 300 mm

3b Dividing wall		
		
Not available for the inner pull-out		
NL		Part No.
450 mm		<b>Z46L420S</b>
500 mm		<b>Z46L470S</b>
550 mm		<b>Z46L520S</b>
		Silk white

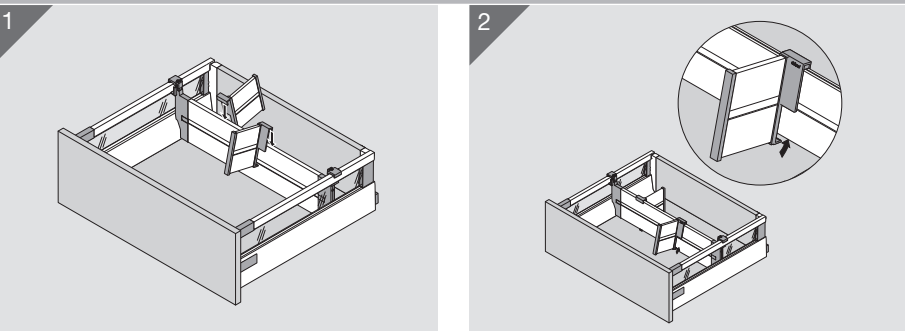
KB	Cabinet width
LW	Inner cabinet width
NL	Nominal length

# Assembly, removal and adjustment

## Cross divider

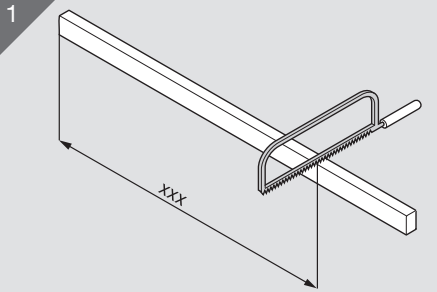


## Lateral divider

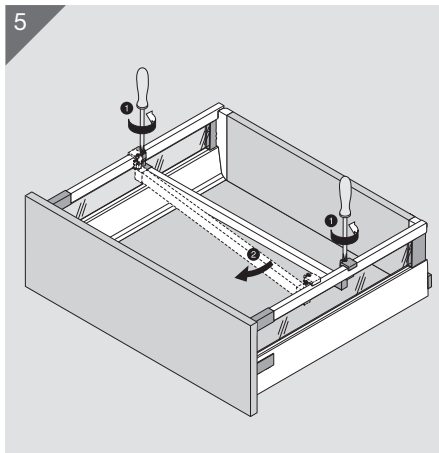
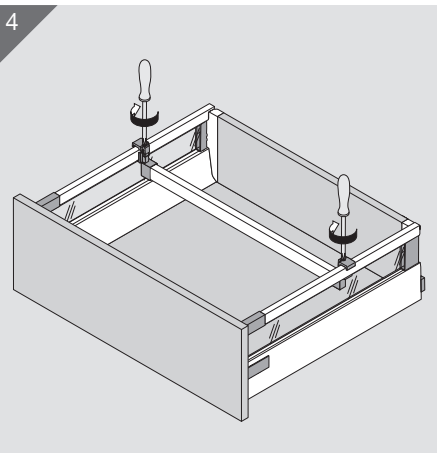
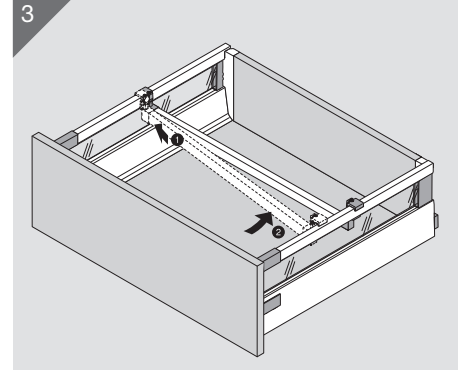
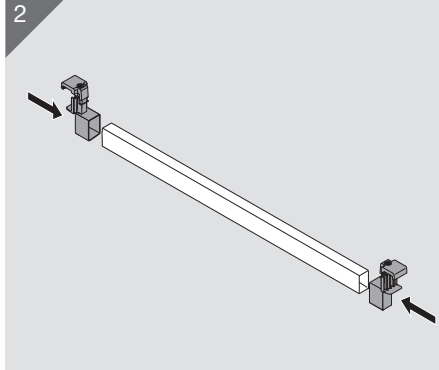




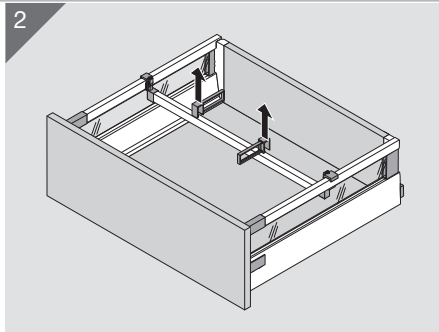
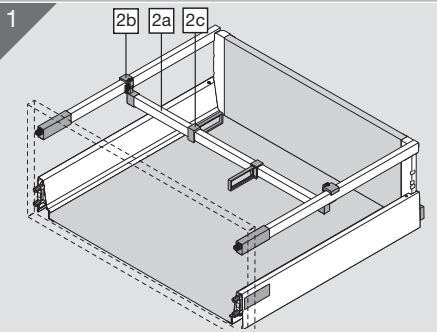
### Cross gallery



XXX = LW - 63 mm  
LW = inner cabinet width



### Lateral divider





# ORGA-LINE kitchen accessories



## Description of various ORGA-LINE kitchen accessories

- Foil/Film dispenser for crease-free sheets
- Knife holder for safe storage of knives in the drawer
- Plate holder for easy transport and secure storage in the pull-out
- Spice holder for storage and easy access to spice containers of all sizes
- Also available in the practical complete set



## Order specification

Knife holder		Film dispenser		Foil dispenser	
For 9 knives	Part No. <b>ZSZ.02M0</b>	for plastic film	Part No. <b>ZSZ.01F1</b>	for aluminium foil	Part No. <b>ZSZ.02F1</b>
KB	Part No.	∅ plates 180 – 320 mm	Part No. <b>ZTH.0350</b>	Set	Part No. <b>ZOU.30U11</b>
300 mm (width 212 mm)	<b>ZFZ.30G01</b>	Total height 171 mm		Includes:	
400 mm (width 312 mm)	<b>ZFZ.40G01</b>	Stacking height of plates: 144 mm		1 x knife holder	
450 mm (width 362 mm)	<b>ZFZ.45G01</b>			1 x film dispenser (incl. film)	
KB Cabinet width				1 x foil dispenser (incl. foil)	
				2 x spice holders (for KB 300 mm)	
				2 x plate holders	

Note: D height pull-out is required to accommodate spice and plate holder accessories

# Recommendation for pull-outs



Recommendation for spices			
NL	KB (mm)		
	300		
450 mm			1 x QT
500 mm	1 x QT, 2 x GH		2 x LT, 2 x GH
550 mm			
650 mm	2 x QT, 2 x GH		2 x QT, 3 x LT 2 x GH

Recommendation for pots, lids and cooking utensils					
NL	KB (mm)				
	600	800	900	1000	1200
450 mm	1 x QT, 2 x LT	1 x QT, 3 x LT			
500 mm					
550 mm	2 x QT 3 x LT	2 x QT, 6 x LT			
650 mm					



Recommendation for provisions and open provisions											
NL	KB (mm)										
	275	300	400	450	500	550	600	800	900	1000	1200
450 mm	1 x QT		1 x QT, 2 x LT				1 x QT, 3 x LT				
500 mm											
550 mm	2 x QT		2 x QT 3 x LT				2 x QT 6 x LT				
650 mm											
SPACE CORNER											
650 mm	1 x QT, 2 x LT										

Recommendation for plastic containers											
NL	KB (mm)										
	275	300	400	450	500	550	600	800	900	1000	1200
450 mm											
500 mm											
550 mm	1 x QT						1 x QT, 3 x LT				
650 mm											
SPACE CORNER											
650 mm											

FW	Bottle rack	KB	Cabinet width	NL	Nominal length	TH	Plate holder
GH	Spice holder	LT	Lateral divider	QT	Cross divider	ZW	Dividing wall





Recommendation for bottles		
NL	KB (mm)	
	450 mm	275
500 mm	3 x QT, 1 x FW	
550 mm	4 x QT, 1 x FW	
650 mm	5 x QT, 1 x FW	



Recommendation for recycling/ waste separation and cleaning agents		
NL	KB (mm)	
	450 mm	900 and higher
500 mm	3 x QT, 1 x FW, 2 x ZW	
550 mm	4 x QT, 1 x FW, 2 x ZW	
600 mm	5 x QT, 1 x FW, 2 x ZW	



Recommendation for bottles and cutting boards											
NL	KB (mm)										
	450 mm	400	450	500	550	600	800	900	1000	1200	3 x QT, 1 x FW, 1 x ZW
500 mm	4 x QT, 1 x FW, 1 x ZW			4 x QT, 1 x FW, 2 x ZW							
550 mm	5 x QT, 1 x FW, 1 x ZW			5 x QT, 1 x FW, 2 x ZW							



Recommendation for baking trays and tins				
NL	KB (mm)			
	450 mm	300	400	450
500 mm	1 x ZW	2 x ZW	3 x ZW	
550 mm				
650 mm				

FW	Bottle rack	KB	Cabinet width	NL	Nominal length	TH	Plate holder
GH	Spice holder	LT	Lateral divider	QT	Cross divider	ZW	Dividing wall

\* Recommendations can be applied to TANDEMBOX antaro and TANDEMBOX intivo



# Recommendation for pull-outs



Recommended for plates			
NL	KB (mm)		
	400 a. higher	800 and higher	1000 and higher
450 mm	2 x TH	4 x TH	6 x TH
500 mm			
550 mm			
650 mm			
SPACE CORNER			
	KB (mm)		
	up to 1050		1050 and higher
	2 x TH		3 x TH

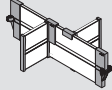
Recommendation for bottles and provisions					
NL	KB (mm)				
	600	800	900	1000	1200
450 mm	4 x QT 1 x FW 1 x ZW	4 x QT 1 x FW, 1 x ZW 2 x LT		4 x QT 1 x FW, 1 x ZW 5 x LT	
500 mm	5 x QT 1 x FW 1 x ZW	5 x QT 1 x FW, 1 x ZW 3 x LT		5 x QT 1 x FW, 1 x ZW 9 x LT	
550 mm	5 x QT 1 x FW 1 x ZW	5 x QT 1 x FW, 1 x ZW 3 x LT		5 x QT 1 x FW, 1 x ZW 9 x LT	
650 mm	6 x QT 1 x FW 1 x ZW	6 x QT 1 x FW, 1 x ZW 3 x LT		6 x QT 1 x FW, 1 x ZW 9 x LT	

FW	Bottle rack	KB	Cabinet width	NL	Nominal length	TH	Plate holder
GH	Spice holder	LT	Lateral divider	QT	Cross divider	ZW	Dividing wall

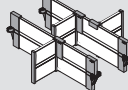
\* Recommendations can be applied to TANDEMBOX antaro and TANDEMBOX intivo

# TANDEMBOX intivo ORGA-LINE sets

## ORGA-LINE for open food items

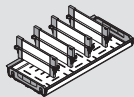
ORGA-LINE sets for nominal length 450mm		
		
NL	Steel	S/Steel
Colour Variants	SW TS	
450 mm	ZFL.45BUS4	
600 mm	ZFL.60BUS4	ZFL.60BUI4
900 mm		ZFL.90BUI4

SW Silk White TS Terra Black

ORGA-LINE sets for nominal length 500-650mm		
		
NL	Steel	S/Steel
Colour Variants	SW	
450 mm	ZFL.45BUS6	ZFL.45BUI6
600 mm	ZFL.60BUS6	
900 mm		ZFL.90BUI6

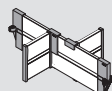
SW Silk White

## ORGA-LINE for bottles and cutting boards

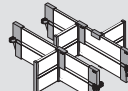
ORGA-LINE set bottle rack for cabinet width 300mm		
		
NL	Steel	S/Steel
Colour Variants	SW TS	
450 mm	ZFL.30BFS4	ZFL.30BFI4
500 mm		ZFL.30BFI6

SW Silk White TS Terra Black

## ORGA-LINE for pots, lids, pans and cooking utensils

ORGA-LINE sets for nominal length 450mm		
		
NL	Steel	
Colour Variants	SW TS	
900 mm	ZFL.90BUS4	

SW Silk White TS Terra Black

ORGA-LINE sets for nominal length 500-650mm		
		
NL	Steel	
Colour Variants	SW TS	
900 mm	ZFL.90BUS6	

SW Silk White TS Terra Black



**1952**



**The first product**

Studs are attached to horse-shoes to stop horses slipping.

**1958**



**Début in the furniture industry**

The ANUBA hinge is Blum's first furniture fitting.

**1964**



**Production start**

Blum produces concealed furniture hinges.

**1966**



**Roller runners**

Blum starts to produce roller runners.

**1985**



**Assembly technology**

CLIP hinges can be mounted without tools thanks to CLIP technology.

# Perfecting motion

Blum's fittings solutions are designed to make opening and closing furniture a mesmerising experience. That's why we make every effort to perfect the motion of our lift, hinge, box and runner systems.



## DYNAMIC SPACE

Blum products help to optimise workflows, gain storage space and offer a high level of comfort – making kitchens more practical.

## Blum in Austria and around the world

Over 5000 employees support us on our quest for perfect motion. Our fittings are manufactured at ten plants. Seven are in Austria, the remaining are in the USA, Brazil and Poland. Thanks to international subsidiaries and sales agencies, Blum is on site to serve its customers all over the world.



## Global customer benefits

From furniture manufacturer to user: Each should profit from the advantages of Blum products.

## Top quality

Blum products have been developed for everyday kitchen use and are a pleasure to use for the lifetime of the furniture.

## Innovations

We want our fittings solutions to be innovative and make everyday kitchen use easier. That's why our developments are based on findings from requirements research and input from our customers.

## Environment

Blum strives to minimise its environmental impact. We use environmentally-friendly processes, use raw materials intelligently and save energy wherever we can.

Our commitment to environmental protection is internationally recognised and rewarded. We endeavour to maintain and are always looking to improve our environmental management systems.



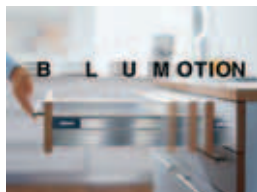
1987



### BOX systems

Blum's first BOX system goes into production with METABOX.

2001



### Soft-close system

BLUMOTION ensures that furniture closes softly and effortlessly.

2005



### Lift systems

AVENTOS lift systems are presented for the first time

2007



### Electrical opening support

SERVO-DRIVE has received numerous awards for design and function.

2011



### Runner systems

With MOVENTO, a new generation of runner systems was born.

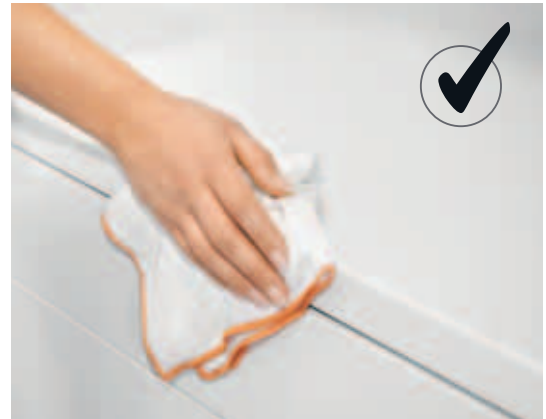


# Cleaning information for Blum fittings

Blum fittings are designed to provide joy for the lifetime of the furniture. Here are a few helpful tips to make cleaning easy.

## THE BEST WAY TO CLEAN BLUM FITTINGS:

- Wipe using a soft, lint-free cloth, buff or sponge
- Lightly damp, not wet
- Always dry the area by re-wiping
- If available, use a special cleaner for materials such as stainless steel. Otherwise only use clean water
- Continually remove stains as they appear



Lightly damp cloth

## DO NOT USE THE FOLLOWING WHEN CLEANING BLUM FITTINGS:

- Steam cleaners
- Cleaning agents such as abrasive cleaning powders, steel wool or scourers, including cleaning agents with acetone, chlorine, thinners and solutions that begin with the name tri or tetra
- Cleaning agents, baking powder, dishwasher additives and table salt, for example, should be stored in closed containers. The resulting vapours can lead to the corrosion of all metal surfaces.



No chemical cleaners

### Quality for high-quality furniture

All Blum products undergo extensive quality testing. They are designed to provide joy for the lifetime of the furniture. We support you by providing practical cleaning instructions.





Lift systems



Hinge systems



Box systems



Runner systems



Inner dividing systems (dishwasher proof)

Experience the mesmerising motion  
Blum Showrooms

Sydney (Head Office)  
10 Blackbird Close  
Len Waters Estate NSW 2171  
Ph: 02 9612 5400

Brisbane  
6/39-45 Compton Road  
Underwood QLD 4119  
Ph: 07 3135 9490

Melbourne  
4/245 Ferntree Gully Road  
Mount Waverley VIC 3149  
Ph: 03 9982 1720

Perth  
3/50 Howe Street  
Osborne Park WA 6916  
Ph: 08 6467 0110

Adelaide  
3/277-281 Sir Donald Bradman Drive  
Cowandilla SA 5033  
Ph: 08 8118 6070

All content is copyrighted by Blum.  
Subject to technical modifications and changes to the range without notice.  
Printed in Australia IDNR 1.001.40



Blum Australia Pty. Ltd.  
P.O. Box 1615  
Green Valley NSW 2168  
Toll Free: 1800 179 186  
E-Mail: [info.au@blum.com](mailto:info.au@blum.com)

The Blum logo, consisting of a stylized white arrow pointing upwards and to the right, followed by the word 'blum' in a bold, lowercase, sans-serif font, with a registered trademark symbol (®) to the upper right of the 'm'.