

# Point

The industrial-style Point handle features a soft and pleasant dot texture combined with a brushed finish. Point is highly versatile with its variety of different sizes and is available in three finishes Brushed Black, Black Titanium and Brushed Dark Brass.



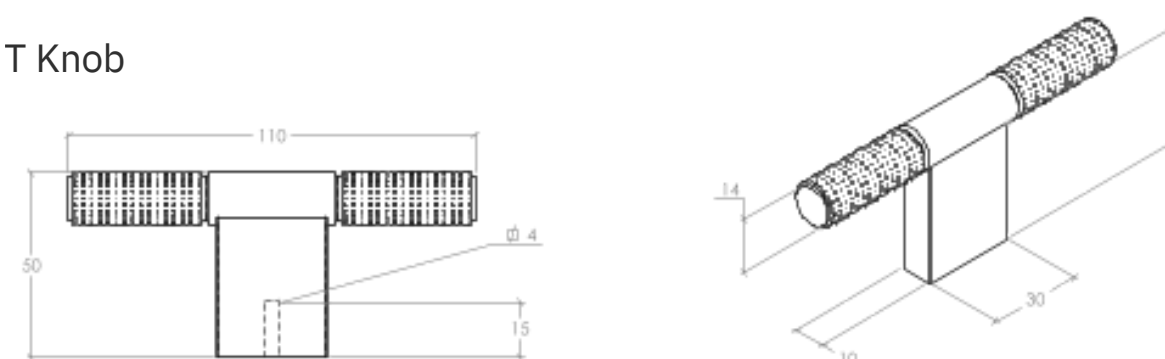
STYLES	110mm T Knob: PNT0636.110   40mm Round Knob: PNT0636.040 192mm D Handle: PNT0636.192   320mm D Handle: PNT0636.320   960mm D Handle: PNT0636.960
--------	---

FINISHES	<span style="display: inline-block; width: 15px; height: 15px; background-color: black; margin-right: 5px;"></span> Black Titanium (TTBL) <span style="display: inline-block; width: 15px; height: 15px; background-color: black; margin-left: 20px; margin-right: 5px;"></span> Brushed Black (BBL) <span style="display: inline-block; width: 15px; height: 15px; background-color: #c0c0c0; margin-left: 20px; margin-right: 5px;"></span> Brushed Dark Brass (BDB)
----------	--

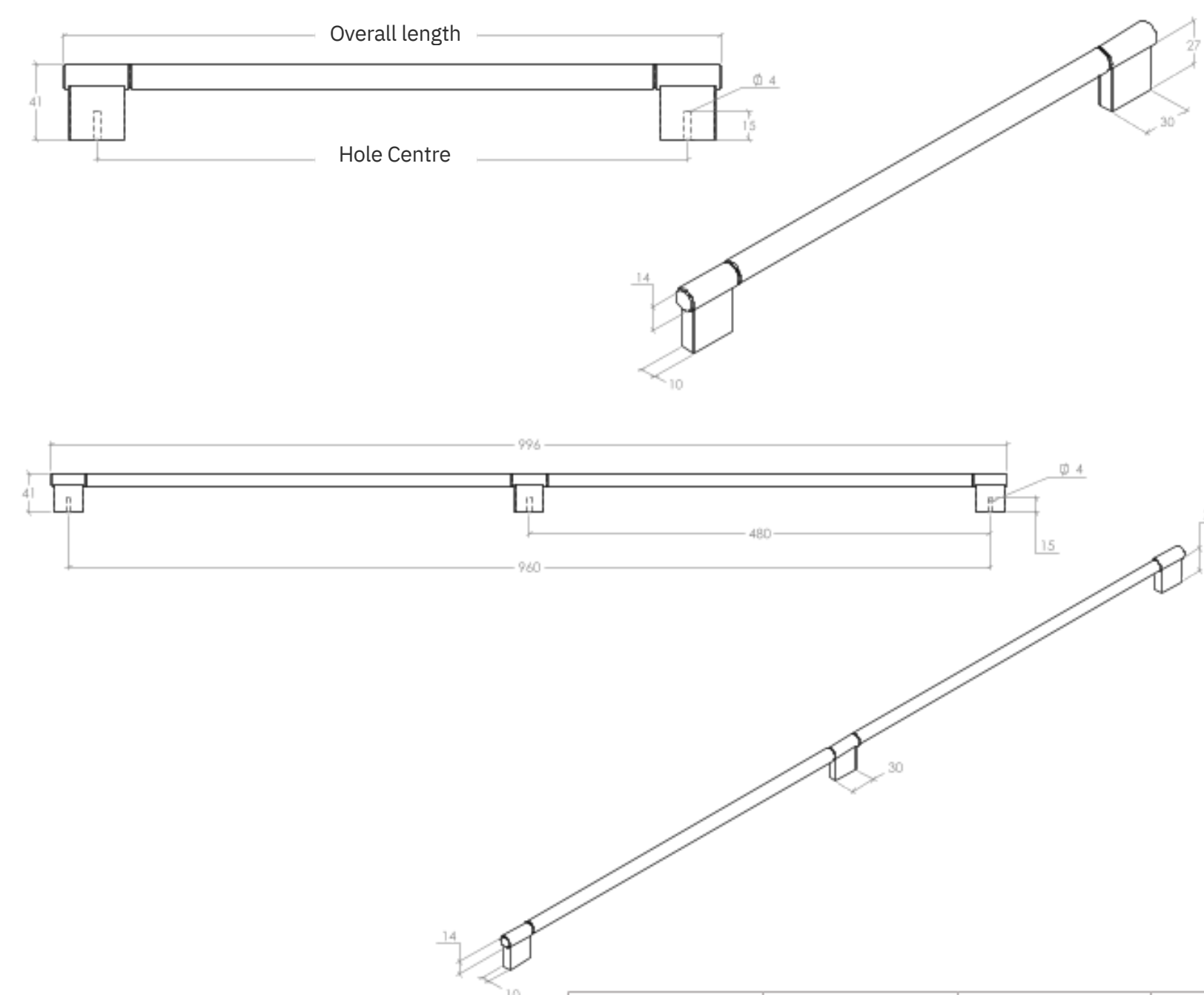
Round Knob



T Knob



Handles



Part Number	Hole Centre	Overall Length	Projection
PNT0636.040	-	40	29
PNT0636.110	-	110	50
PNT0636.192	192	228	41
PNT0636.320	320	356	41
PNT0636.960	960 (480 x 2)	996	41

