



It's what's inside that counts!

Two new hinges from Blum

[www.blum.com](http://www.blum.com)

 **blum**<sup>®</sup>

## If it's required, we develop it.

The needs of our customers are our greatest motivation in refining our fittings – and the reason why our range is constantly growing. Right now, for example, we are adding two new CLIP top BLUMOTION hinges to the range, containing our engineers' wealth of technical expertise. The resulting products also embody the inventive spirit that has led to Blum's unique range of functions.

**blum**



reddot award 2018  
winner



> Detailed information  
on the awards:  
[www.blum.com/award](http://www.blum.com/award)

### Contents

- 4 CLIP top BLUMOTION 155°  
The new 0-protrusion hinge
- 12 CLIP top BLUMOTION  
for thin doors  
The new special hinge
- 22 Ordering and  
planning information
- 32 Services
- 34 Blum

CLIP top BLUMOTION 155°:  
the new 0-protrusion hinge  
with integrated BLUMOTION

**blum**



155°

BLUMOTION

## Crammed full of functionality – within the smallest space

The benefits of CLIP top BLUMOTION are now also included in our new wide angle hinge with 0-protrusion. In addition to the high quality of motion, CLIP top BLUMOTION 155° has a built-in dampening function – without any increases to the installation size.

**blum**



### Dampening on demand

The integrated BLUMOTION feature can be deactivated for individual hinges via a simple switch to ensure that even smaller or lighter doors boast high quality of motion.

Use of the existing storage space in the wardrobe is optimised, while the large opening angle makes access particularly convenient.

With its INSERTA boss fixing, CLIP top BLUMOTION 155° also guarantees straightforward tool-free assembly.

The new CLIP top BLUMOTION 155° hinge in colour variant onyx black blends stylishly with dark furniture, especially with its low installation size.



**Versatile:**  
**CLIP top BLUMOTION**  
**with 0-protrusion**

**blum**

# The usual convenience: CLIP top BLUMOTION 155° assembly



The INSERTA mechanism with self-closing makes it possible to fix the boss in place without tools – and ensures flush fitting. The drilling pattern for the new CLIP top BLUMOTION hinge remains unchanged from previous versions.



## Tried-and-tested CLIP assembly

The CLIP mechanism has proven itself a million times over in the past; it ensures that the wide angle hinge can be installed in cabinets quickly, with ease, and without tools.



## Three-dimensional adjustment

The new 155° hinge features a simple side and height adjustment, as well as infinitely variable depth adjustment, so it matches the high standard of the existing CLIP top BLUMOTION hinges.



## Suitable boss cover caps

Suitable boss cover caps are now available for CLIP top BLUMOTION 155°.

CLIP top BLUMOTION  
for thin doors:  
The special new hinge  
with integrated dampening



BLUMOTION

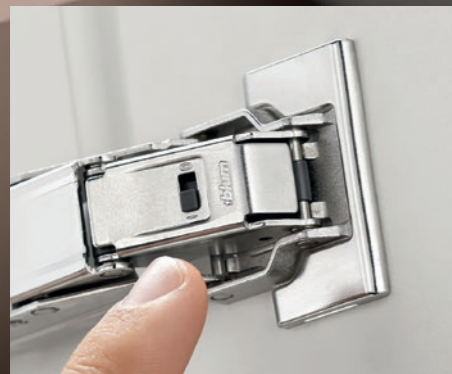


8-14 mm

## Doors of 8 mm – 14 mm thickness made possible

CLIP top BLUMOTION for thin doors gives you a large amount of creative freedom when designing furniture. Bring your ideas to life using a wide range of materials. The new hinge is an impressive blend of tried-and-tested Blum functionality and integrated dampening.

**blum**



### Dampening on demand

The integrated BLUMOTION feature can be deactivated for individual hinges via a simple switch to ensure that even smaller or lighter doors boast high quality of motion.



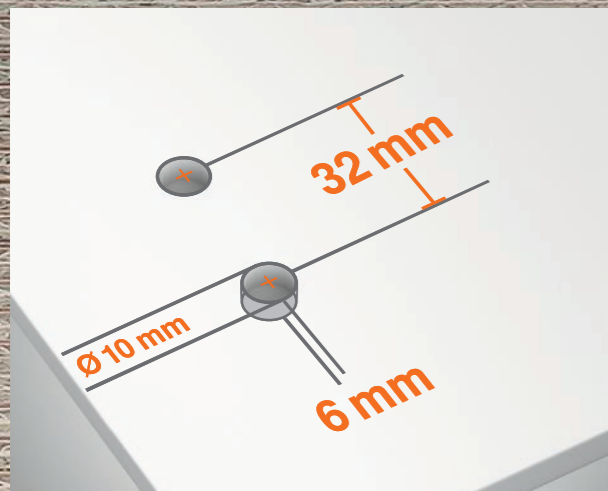
## Simple to fasten: EXPANDO T for a variety of materials

What sets CLIP top BLUMOTION for thin doors apart is the EXPANDO T split dowel, which was developed specifically for this purpose. Steel pull-in anchors ensure a firm hold in hard materials, while plastic jaws ensure the same firm hold in softer materials such as MDF and chipboard.

**blum**



6 mm



### Assembly without boss drilling

EXPANDO T does not require boss hole drilling thanks to the new EXPANDO T dowels. Two 10 mm diameter holes by 6 mm deep is all that is required for the hinge fixing.

Versatile:  
CLIP top BLUMOTION  
for thin doors

**blum**

Thanks to the 0-protrusion, the CLIP top BLUMOTION hinge developed for thin doors is also suitable for cabinets with inner pull-outs, as well as for standard applications.

CLIP top BLUMOTION for thin doors promises the usual high level of Blum quality in furniture with a pared-down design: innovative technology, high-quality materials and a large amount of stability – for the life of the furniture.

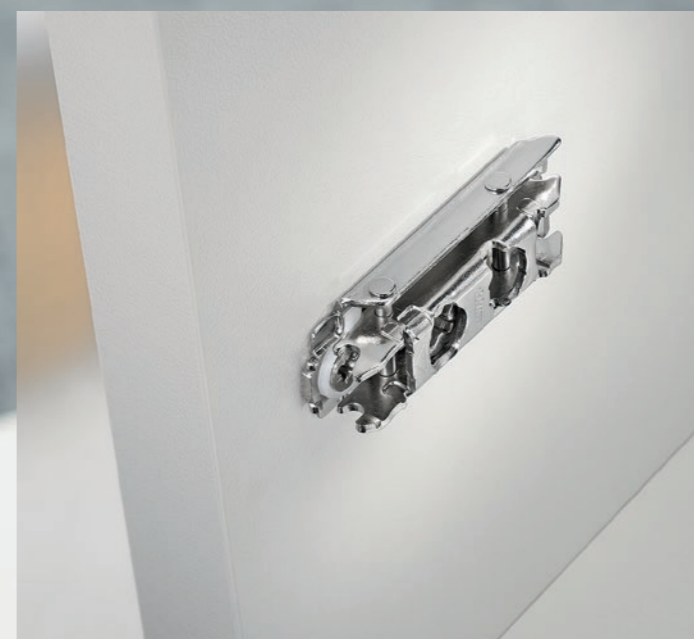
The usual convenience:  
CLIP top BLUMOTION  
for thin doors assembly

**blum**



**Simple hinge fixing**

Place the dowels in the drill holes, tighten the screws, then you're done! The new type of fixing with EXPANDO T makes furniture with thin doors easy to process.



**Standard fixing position**

Standard fixing positions are used to fix the mounting plate in place in the cabinet, which enables the use of standard cabinets and also makes the production process more straightforward.



**Tried-and-tested adjustment options**

Tool-free front assembly using the CLIP mechanism, you also benefit from tried-and-tested infinitely variable adjustment of the height, side and depth.

**CLIP top BLUMOTION  
CLIP top 155°**



**Order specification**

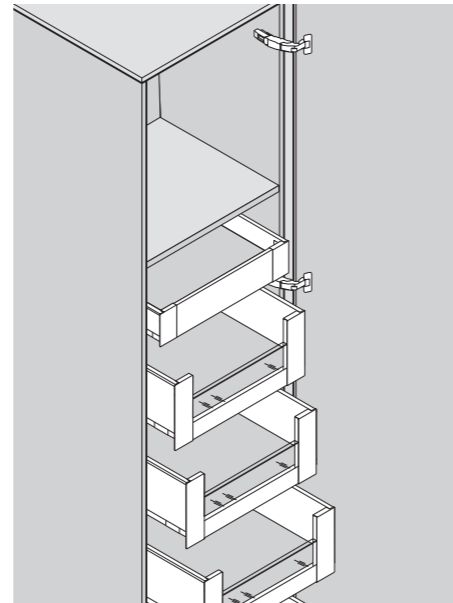
**Product**



**Description**

- **0-protrusion** for overlay application (for inner pull-outs or pull-out surrounds)
- **CLIP top BLUMOTION** with integrated BLUMOTION (and deactivation option)
- **CLIP top** with or without closing mechanism (spring)
- Tool-free fixing to mounting plate
- Three-dimensional adjustment
- With **INSERTA** tool-free hinge to door assembly

**Application**



**Order specification**

Overlay application			
Boss Hinge	Spring	Colour	Part no
CLIP top BLUMOTION	• NI   ONS		<b>71B7590</b>
CLIP top	• NI		<b>71T7590</b>
CLIP top	◦ NI   ONS		<b>70T7590.TL</b>

Dual application			
Boss Hinge	Spring	Colour	Part no
CLIP top BLUMOTION	• NI   ONS		<b>71B7690</b>

Inset application			
Boss Hinge	Spring	Colour	Part no
CLIP top BLUMOTION	• NI   ONS		<b>71B7690</b>

Legend			
• With spring	ONS	Oryx black	
◦ Unsprung	NI	Nickel plated	

Screw-on			
Boss Hinge	Spring	Colour	Part no
CLIP top BLUMOTION	• NI		<b>71B7550</b>
CLIP top	• NI		<b>71T7550</b>
CLIP top	◦ NI		<b>70T7550.TL</b>

Knock-in			
Boss Hinge	Spring	Colour	Part no
CLIP top BLUMOTION	• NI		<b>71B7580</b>
CLIP top	• NI		<b>71T7580</b>

**Note**

A trial application is recommended when combining CLIP top BLUMOTION and CLIP top hinges with springs on small light fronts up to approx. 300 mm wide. Combining these is not recommended for wider fronts.

**Accessories – general**

Hinge boss cover cap			
Hinge	Colour	Part no	
CLIP top BLUMOTION	NI	<b>70T7504</b>	
CLIP top	NI	<b>70T7504</b>	

Opening angle stop			
Opening angle	Colour	Part no	
92°	Dark grey	<b>70T7553.09</b>	
110°	RAL 7037 dust grey	<b>70T7553</b>	

Hinge arm cover cap			
Print/stamp	Type	Colour	Part no
Plain	-	NI   ONS	<b>70.4503</b>

Insertion ram			
Material	Colour	Part no	
Plastic	Orange	<b>MZM.0040</b>	

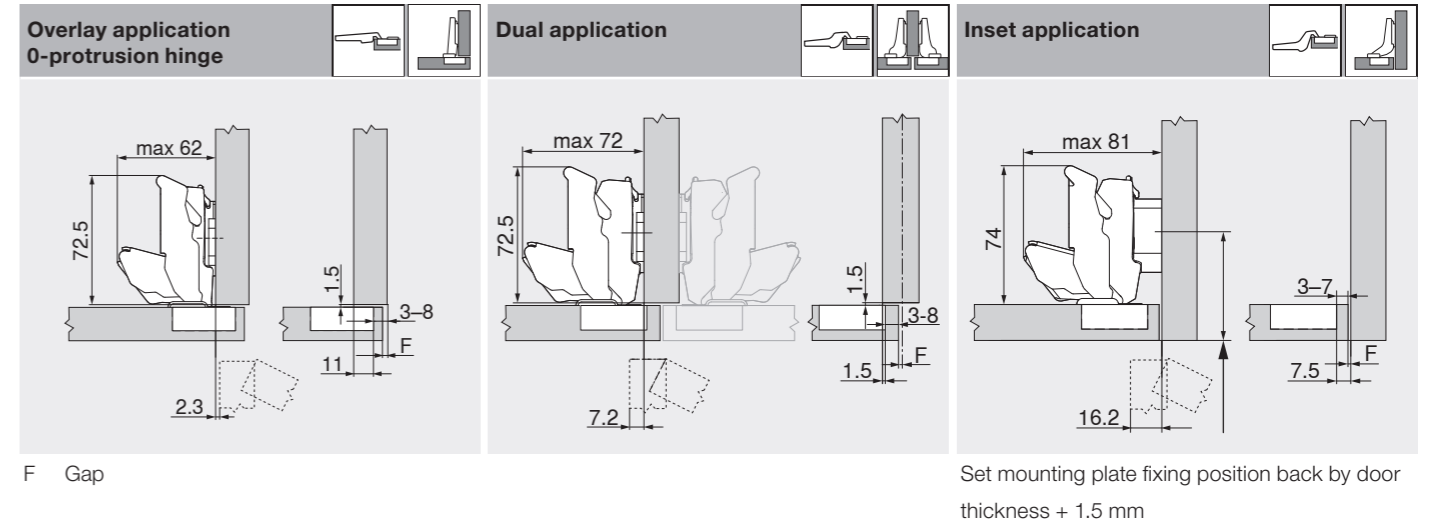
**Planning**

**CLIP top BLUMOTION  
CLIP top 155°**



**Hinge dimensions and gap calculation based on factory setting (mounting plate spacing = 0 or 9 mm)**

Front protrusion at 90° opening angle



**Drilling distance**

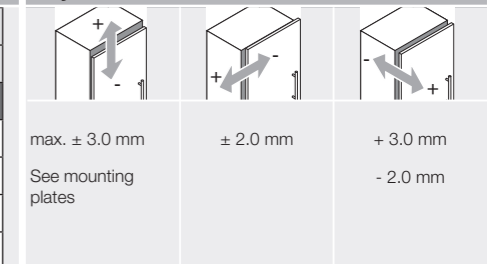
	Front overlay																																									
	5	6	7	8	9	10	11	12	13	14	15	16	17	18	19	Front overlay																										
											-4.5	-3.5	-2.5	-1.5	-0.5	0.5	1.5	2.5	3.5	4.5	5.5	6.5	7.5	8.5	9.5	Front overlay																
											0	3	6	9	12	15	18	21	24	27	30	33	36	39	42	45																
0																																										
3																																										
6																																										
9	3	4	5	6	7	8											3	4	5	6	7	8											3	4	5	6	7					
Mounting plate																			Mounting plate										Mounting plate													

**Minimum gap (F) for fronts with a front radius (R = 1 mm) based on the factory setting**

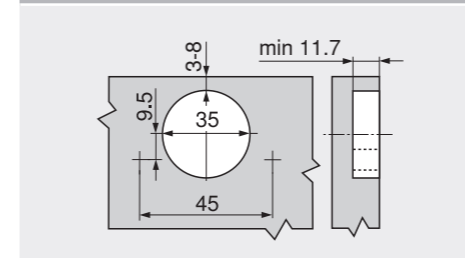
Drilling distance TB	Front thickness FD (mm)											
	20	21	22	23	24	25	26	27	28	29	30	31
3	0	0	0	0	0	0.5	0.5	1.0	2.0	2.0	3.0	4.5
4	0	0	0	0	0	0.5	1.0	2.0	2.0	2.5	4.0	-
5	0	0	0	0	0	0.5	1.0	2.0	2.0	3.5	-	-
6	0	0	0	0	0	1.0	1.5	2.0	3.0	-	-	-
7	0	0	0	0	0	1.0	1.5	2.5	-	-	-	-
8	0	0	0	0	0	1.0	1.5	-	-	-	-	-
110° Opening angle stop												
92° Opening angle stop												

We recommend a trial application for an overlay application on the wall.

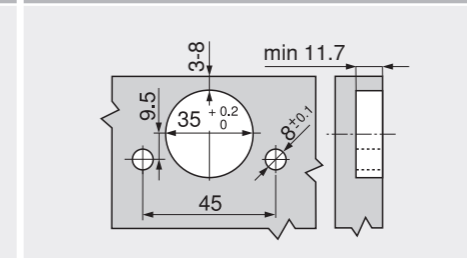
**Adjustment**



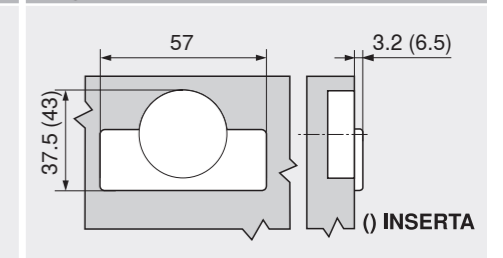
**Screw-on assembly**



**INSERTA/knock-in assembly**



**Hinge boss dimensions**



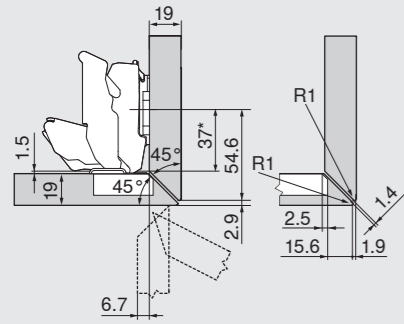
CLIP top BLUMOTION  
CLIP top 155°



Planning  
Special application

Mitred application – all four edges

19 mm

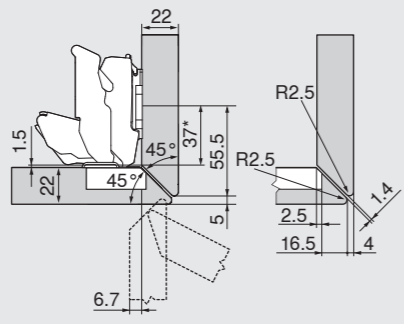


Hinge for dual applications

Standard mounting plates with 0 mm spacing

\* Dimension for mounting plate with dimension A = 37 mm

22 mm

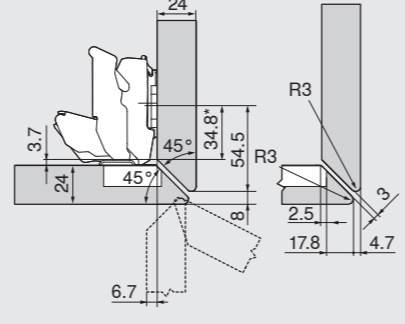


Hinge for dual applications

Standard mounting plates with 0 mm spacing

\* Dimension for mounting plate with dimension A = 37 mm

24 mm



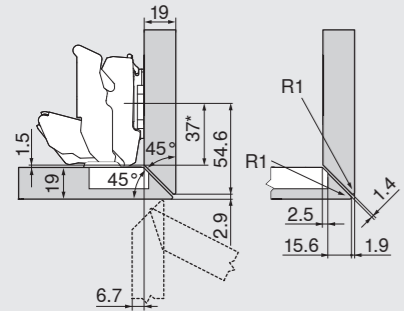
Hinge for dual applications

Standard mounting plates with 0 mm spacing

\* Dimension for mounting plate with dimension A = 37 mm

Mitred application – side

19 mm

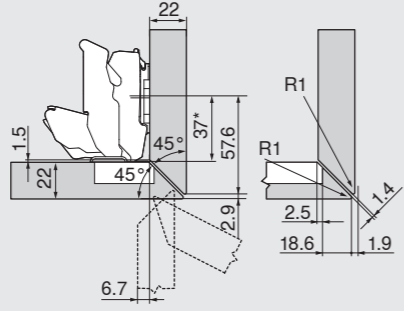


Hinge for dual applications

Standard mounting plates with 0 mm spacing

\* Dimension for mounting plate with dimension A = 37 mm

22 mm

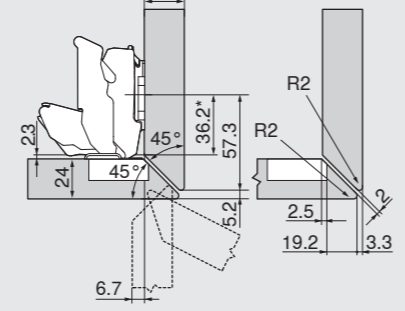


Hinge for dual applications

Standard mounting plates with 0 mm spacing

\* Dimension for mounting plate with dimension A = 37 mm

24 mm



Hinge for dual applications

Standard mounting plates with 0 mm spacing

\* Dimension for mounting plate with dimension A = 37 mm

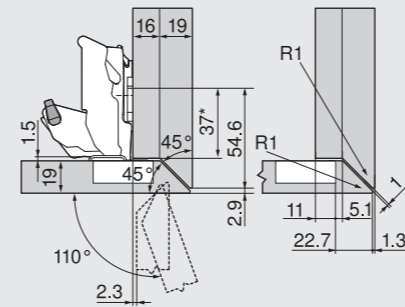
Planning  
Special application

CLIP top BLUMOTION  
CLIP top 155°



Mitred application – side, with large overlay

16/19 mm



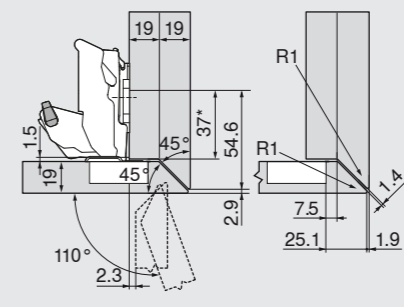
Hinge for dual applications

Standard mounting plates with 0 mm spacing

\* Dimension for mounting plate with dimension A = 37 mm

Description	Angled	Part no
110° opening angle stop		70T7553

19/19 mm



Hinge for dual applications

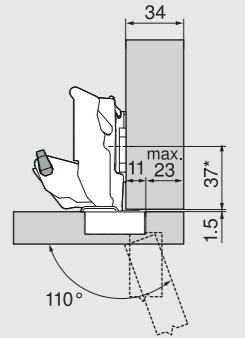
Standard mounting plates with 0 mm spacing

\* Dimension for mounting plate with dimension A = 37 mm

Description	Angled	Part no
110° opening angle stop		70T7553

Front overlay max.

34 mm



Hinge for dual applications

Standard mounting plates with 0 mm spacing

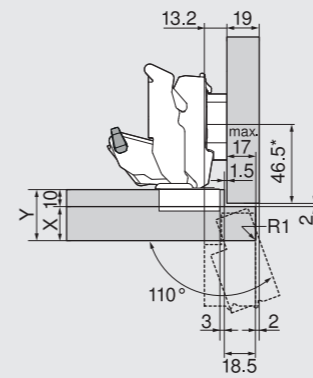
\* Dimension for mounting plate with dimension A = 37 mm

Description	Angled	Part no
110° opening angle stop		70T7553

You can select any front thickness for a free-standing cabinet. We recommend a trial application for a neighbouring front or an overlay application on the wall.

Rebated applications

10 mm

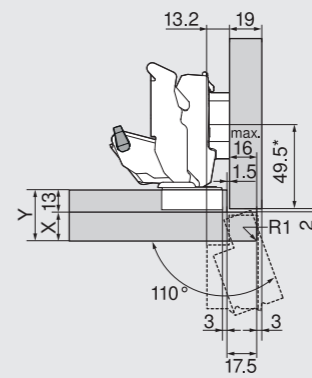


Hinge for dual applications

Description	Space (mm)	Part no
Mounting plate	6	175H9160
Description	Angled	Part no
Opening angle stop	110°	70T7553

Cabinet situation	X max. (mm)	Y max. (mm)
	18	28
	20	30
	25	35

13 mm

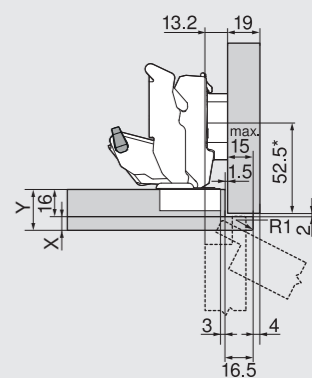


Hinge for dual applications

Description	Space (mm)	Part no
Mounting plate	6	175H9160
Description	Angled	Part no
Opening angle stop	110°	70T7553

Cabinet situation	X max. (mm)	Y max. (mm)
	16	29
	17	30
	17	30

16 mm



Hinge for dual applications

Description	Space (mm)	Part no
Mounting plate	6	175H9160
Description	Angled	Part no
Opening angle stop	110°	70T7553

Cabinet situation	X max. (mm)	Y max. (mm)
	8	24
	8	24
	8	24

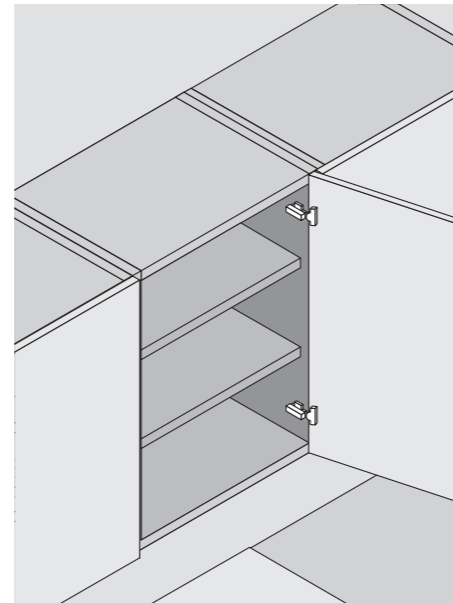
# CLIP top BLUMOTION for thin doors 110°



## Order specification



- Hinge for doors of 8–14 mm
- **EXPANDO T fixing system** for a variety of front materials
- **CLIP top BLUMOTION** with integrated BLUMOTION (and deactivation option)
- **CLIP top** with or without closing mechanism (spring)
- 0-protrusion (for inner pull-outs or pull-out surrounds)
- Tool-free fixing to mounting plate
- Three-dimensional front adjustment



### Overlay application, dual application, inset application

Boss	EXPANDO T	Part no
CLIP top BLUMOTION	NI	71B453T

The different overlay applications can be achieved with the appropriate fixing position.

Legend	ONS	Onyx black
• With spring	NI	Nickel plated
◦ Unsprung		

### EXPANDO T area of application

EXPANDO T is suitable for fixing Blum fittings to thin front materials in furniture manufacturing. With sufficient stability and strength, front materials of 8 mm - 14 mm thickness may be used. For internal designs and not external applications.

Area of application and assembly recommendation	Min. tightening torque (Nm)
Materials tested by Blum	
Chipboard (transverse tensile strength > 0.4 N/mm <sup>2</sup> )	1.5
MDF (transverse tensile strength > 0.6 N/mm <sup>2</sup> )	1.5
HDF	2
HPL	2
Mineral composites	2
Nero Assoluto natural granite stone	3
Artificial stone – quartz composite	3
Ceramic plates	3

### Accessories

Print/stamp	Logo	Hinge arm cover cap	Part no
Plain	-	NI	70.4503

Hinge boss cover cap	Colour	Part no
CLIP top BLUMOTION	NI	70T4504

Opening angle	Colour	Part no
85°	Dark grey	70T4503
92°	RAL 7037 dust grey	70T4503.09

### Disclaimer of liability

Blum accepts no liability for the use of EXPANDO T in combination with materials not listed or fittings from other manufacturers. It is recommended that the assembly be carried out by an experienced furniture manufacturer.

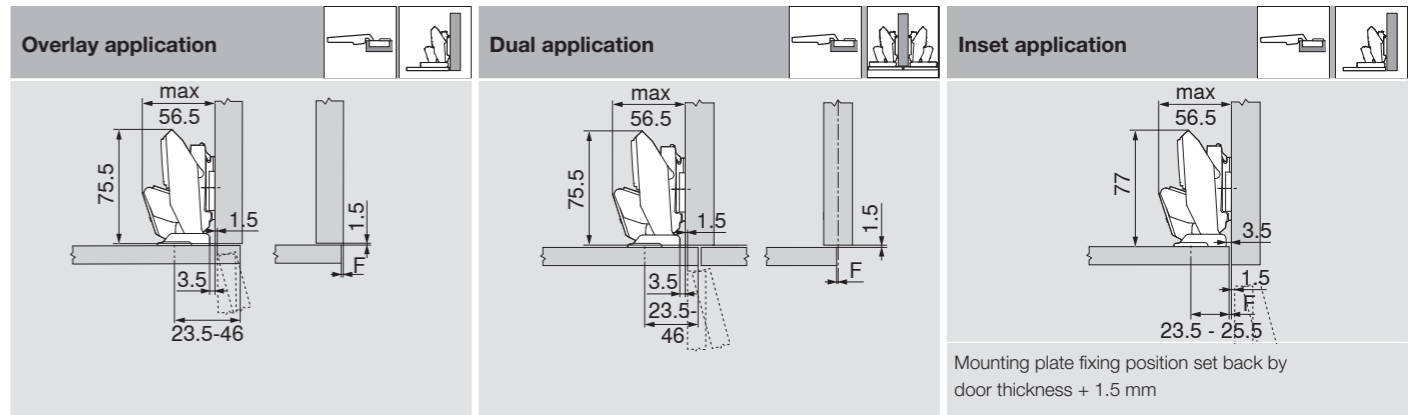
## Planning

# CLIP top BLUMOTION for thin doors 110°



### Hinge dimensions and gap calculation based on factory setting (mounting plate spacing = 0 mm)

Front protrusion with up to 90° opening angle



### Fixing position

MD	Front overlay FA (mm)																	
	-3.5	-3	-2.5	-2	-1.5	-1	2.5	4	5.5	7	8.5	10	11.5	13	14.5	16	17.5	19
0	23.5	24	24.5	25	25.5	26	29.5	31	32.5	34	35.5	37	38.5	40	41.5	43	44.5	46
3	26.5	27	27.5	28	28.5	29	32.5	34	35.5	37	38.5	40	41.5	43	44.5	46		
6	29.5	30	30.5	31	31.5	32	35.5	37	38.5	40	41.5	43	44.5	46				
9	32.5	33	33.5	34	34.5	35	38.5	40	41.5	43	44.5	46						

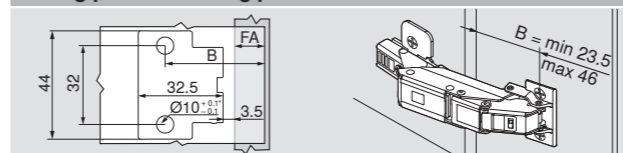
MD Mounting plate spacing (mm)  
The minimum gap is always 0 mm.

### Mounting plate distance for cabinet/door thickness

Cabinet side panel thickness (mm)	Door thickness (mm)							
	8	9	10	11	12	13	14	
15								
16								
17								
18								
19								
20								

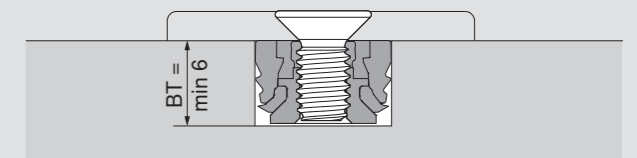
Orange: MD 0 mm possible  
Yellow: MD 3 mm required  
Grey: MD 6 mm required

### Fixing position/drilling pattern EXPANDO T

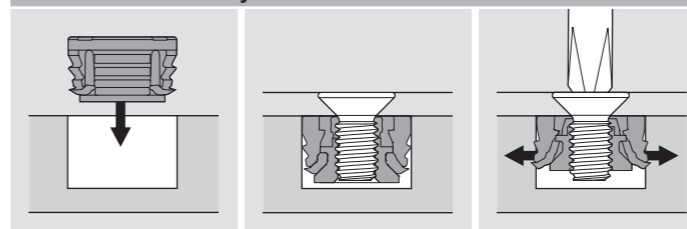


FA	Front overlay
B	Fixing position
	$B = FA + 27 \text{ mm} + MD$
	* +0.2/-0.1 mm for stone and ceramic

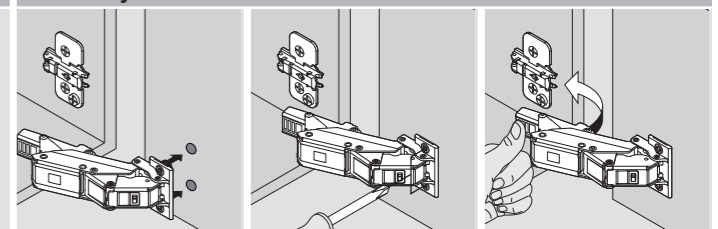
### Drilling depth (BT)



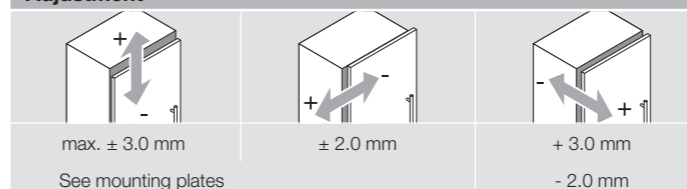
### EXPANDO T assembly



### Assembly



### Adjustment



# CLIP top BLUMOTION for thin doors 110°



## Order specification angled application



- Hinge for doors of 8–14 mm
- EXPANDO T fixing system for a variety of front materials
- CLIP top BLUMOTION with integrated BLUMOTION (and deactivation option)
- CLIP top with or without closing mechanism (spring)
- Tool-free fixing to mounting plate
- Three-dimensional front adjustment

WA	Angled -5°	WA	5°	Angled 10°	15°
	114		115	116	117
	110		111	112	113

WA angled application

### Overlay application, dual application, inset application

Boss	EXPANDO T	
Hinge	Spring	Colour
CLIP top BLUMOTION	•	NI
		Part no
		71B453T

The different overlay applications can be achieved with the appropriate fixing position.

#### Legend

• With spring	ONS	Onyx black
◦ Unsprung	NI	Nickel plated

#### Note

These dimensions are based on a 19 mm thick cabinet. The application changes in cases of deviation. In these cases a trial is recommended. Some applications require the mounting plate to be moved from the standard fixing positions.

### Accessories

Print/stamp	Logo	Hinge arm cover cap	Colour	Part no
Plain	-	NI		70.4503

Hinge boss cover cap	Colour	Part no
CLIP top BLUMOTION	NI	70T4504

### Disclaimer of liability

Blum accepts no liability for the use of EXPANDO T in combination with materials not listed or fittings from other manufacturers. It is recommended that the assembly be carried out by an experienced furniture manufacturer.

## Planning angled application



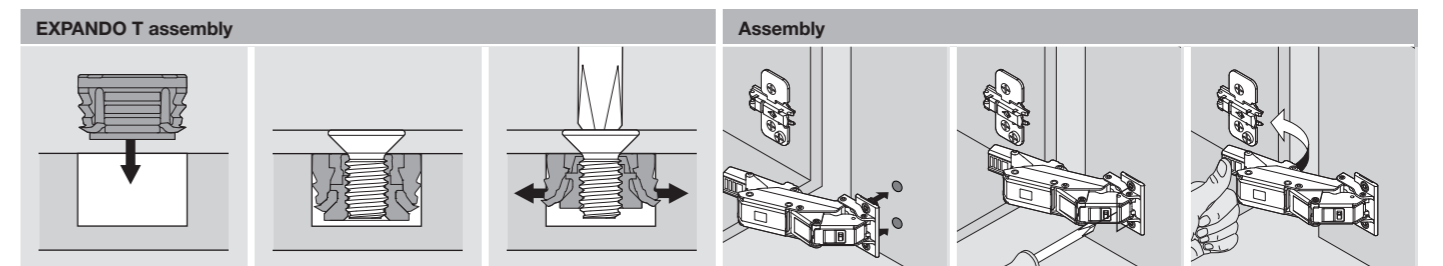
No	Angle	Dimensions	Description	Space (mm)	Part no
112	-5°		Mounting plate	0	173H7100
			Angled spacer	-5°	171A5500
108	-5°		Mounting plate	0	173H7100
			Angled spacer	-5°	171A5500
113	5°		Mounting plate	0	173H7100
			Angled spacer	+5°	171A5010

No	Angle	Dimensions	Description	Space (mm)	Part no
109	5°		Mounting plate	0	173H7100
			Angled spacer	+5°	171A5010
114	10°		Mounting plate	0	173H7100
			Angled spacer	+5° x 2	171A5010
110	10°		Mounting plate	0	173H7100
			Angled spacer	+5° x 2	171A5010

No	Angle	Dimensions	Description	Space (mm)	Part no
115	15°		Mounting plate	0	173H7100
			Angled spacer	+5° x 3	171A5010
111	15°		Mounting plate	0	173H7100
			Angled spacer	+5° x 3	171A5010

### Adjustment

See mounting plates



# Hinge Programme

## CLIP top BLUMOTION Hinge Programme

### Finishes available

FINISHES AVAILABLE	
●	Nickel plated
▲	onyx black

HINGE	OPENING ANGLE	BLUMOTION		OVERLAY APPLICATION				DUAL APPLICATION				INSET APPLICATION		
		INTEGRATED	INSERTA	SCREW-ON	KNOCK-IN	EXPANDO	INSERTA	SCREW-ON	KNOCK-IN	EXPANDO	INSERTA	SCREW-ON	KNOCK-IN	
110° CLIP top BLUMOTION	110°	● ▲	● ▲	●	●	●	● ▲	●	●	●	● ▲	●	●	
155° CLIP top BLUMOTION 0-protrusion	155°	● ▲	● ▲	●	●	●	●							
Profile door hinge	95°	●	● ▲	●			●	●		●	●			
Aluminum frame door	95°	● ▲		●				●				●		
Blind corner hinge	95°	●	● ▲	●	●					●	●	●	●	
EXPANDO T thin door hinge, (opening angle)	110°	●												

## CLIP top Hinge Programme

### Finishes available

FINISHES AVAILABLE	
●	Nickel plated
▲	onyx black

HINGE	OPENING ANGLE	BLUMOTION / TIP-ON		OVERLAY APPLICATION				DUAL APPLICATION			INSET APPLICATION		
		CLIP ON BLUMOTION	TIP-ON	INSERTA	SCREW-ON	KNOCK-IN	EXPANDO	INSERTA	SCREW-ON	KNOCK-IN	INSERTA	SCREW-ON	KNOCK-IN
120° hinge	120°		●	●	●								
107° hinge	107°	●		●	●	●	●	●	●	●	●	●	●
155° zero protrusion	155°		● ▲	● ▲	●	●							
170° hinge	170°	●		●	●	●	●	●	●	●			
Profile / thick door hinge	95°	●		●	●	●		●	●		●	●	
			● ▲	● ▲	●								
Glass door hinge	94°	●			●				●			●	
Bi-Fold Hinge	60°	Drilling application		Corner cabinet application	●	●	●						
100° hinge	100°		●			●							

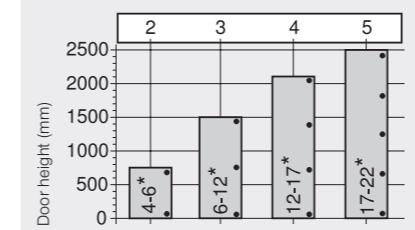
## CLIP top BLUMOTION Angled Hinge Programme

### Finishes available

FINISHES AVAILABLE	
●	Nickel plated
▲	onyx black

HINGE	OPENING ANGLE	BLUMOTION		OVERLAY APPLICATION		
		INTEGRATED	CLIP ON	INSERTA	SCREW-ON	KNOCK-IN
+45° I angled hinge	95°	●		●	●	
+45° II angled hinge	110°	● ▲		●	●	
+45° III angled hinge	95°	●		●	●	
+30° II angled hinge	95°	●		●	●	
+30° III angled hinge	95°	●		●	●	
+20° II angled hinge	95°		●	●	●	
+15° III angled hinge	95°	●		●	●	
-15° III angled hinge	110°	●		●	●	
+30° III angled hinge	110°	●		●	●	
-45° III angled hinge	110°	●		●	●	

### Number of Hinges



The number of hinges required per door depends on the height and weight of the door.  
To achieve good stability, hinges should be evenly spaced.  
Indications on load and height apply to a standard door width of 600 mm.



## Digital and personal services for your everyday work practices

To provide you with the best possible support for your day-to-day tasks, we think beyond just our fitting solutions and develop the right kind of services to go with these too. Many of the services are available to you around the clock online. We would also be happy to give you personalised advice on how to bring individual furniture ideas to life using the various options.

**blum**

### Product Configurator

Make use of the complete parts lists and comprehensive planning information to help you select the right Blum fittings.  
[www.blum.com/productconfigurator](http://www.blum.com/productconfigurator)

### EASY ASSEMBLY app

Make sure you have all the important information you need for precise assembly and adjustment of Blum fittings immediately to hand, using our app for smartphones and tablets.  
[www.blum.com/eaapp](http://www.blum.com/eaapp)

### Localised support

Have questions about our products and services? We would be happy to help you here – including on a one-to-one basis. Go to [www.blum.com/contact](http://www.blum.com/contact) to find your local Blum representative.

# The company Blum

Founded over 60 years ago by Julius Blum, Blum is a family-owned company that operates on an international scale. Its strategic business segments include lift, hinge and pull-out systems. All our product developments focus on perfecting motion.

[www.blum.com](http://www.blum.com)



## Blum in Austria and around the world

The company has seven plants in Vorarlberg, Austria, additional production sites in Poland, the USA and Brazil and 29 subsidiaries/representative offices. Blum supplies more than 120 markets. The Blum Group employs 7.300 people in total, 5.500 of whom work in Vorarlberg.



## Global customer benefits

“Whether manufacturer, distributor, fitter or kitchen user – everybody should personally enjoy the benefits of Blum products” – that is Blum’s philosophy on global customer benefits.



## Innovations

To support customers with innovative fittings solutions and secure long-term success for the company, we need to consistently invest in research and development, in plants and facilities and in employee training. With more than 2.600 patents worldwide, Blum is one of Austria’s most innovative companies.



## Quality

Blum’s comprehensive concept of quality does not only apply to products. Services and collaboration with customers and partners should also meet the same quality requirements.



## Environment

At Blum, we believe that responsible ecological behaviour has long-term economic benefits. The longevity of products is just one of many important aspects. Other important measures include the use of environmentally-friendly processes, the intelligent use of materials and prudent energy management.



## DYNAMIC SPACE

Good workflows, optimum use of storage space and top quality motion are important features of a practical kitchen. Blum’s ideas for practical kitchens are designed to bring function, convenience and ergonomics to furniture interiors.

 **Houzz** PRO:  
Blum Australia

 **Instagram:**  
@blumaustralia, #blumaustralia

 **Android App on Google Play:**  
Easy Assembly App

 **Available on the App Store:**  
Easy Assembly App

**# Tag Us:**  
#blumaustralia

**Blum Showrooms  
Sydney (Head Office)**

10 Blackbird Close  
Len Waters Estate NSW 2170  
Ph: 02 9612 5400

**Adelaide**

179 Railway Terrace  
Mile End SA 5031  
Ph: 08 8118 6070

**Brisbane**

6/39-45 Compton Road  
Underwood QLD 4119  
Ph: 07 3135 9490

**Melbourne**

245 Ferntree Gully Road  
Mount Waverley VIC 3149  
Ph: 03 9982 1720

**Perth**

3/50 Howe Sreet  
Osborne Park WA 6916  
Ph: 08 6467 0110

**Blum Australia Pty Ltd**

PO BOX 1615  
Green Valley, NSW, 2168  
Australia  
Toll Free: 1800 179 186  
E-mail: info.au@blum.com  
blum.com

