

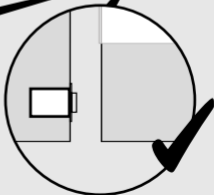
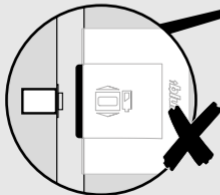
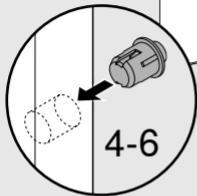
SERVO-DRIVE for AVENTOS

Setup information

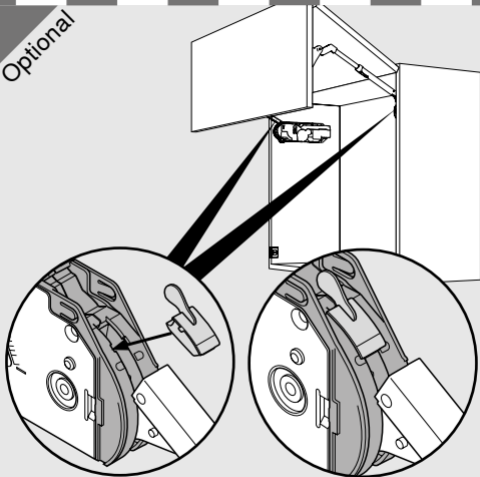
 **blum**[®]



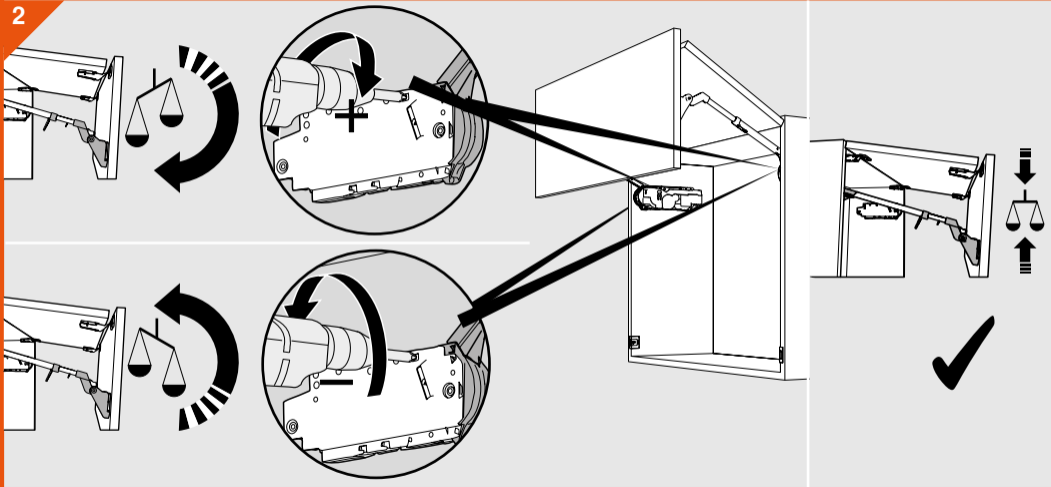
1

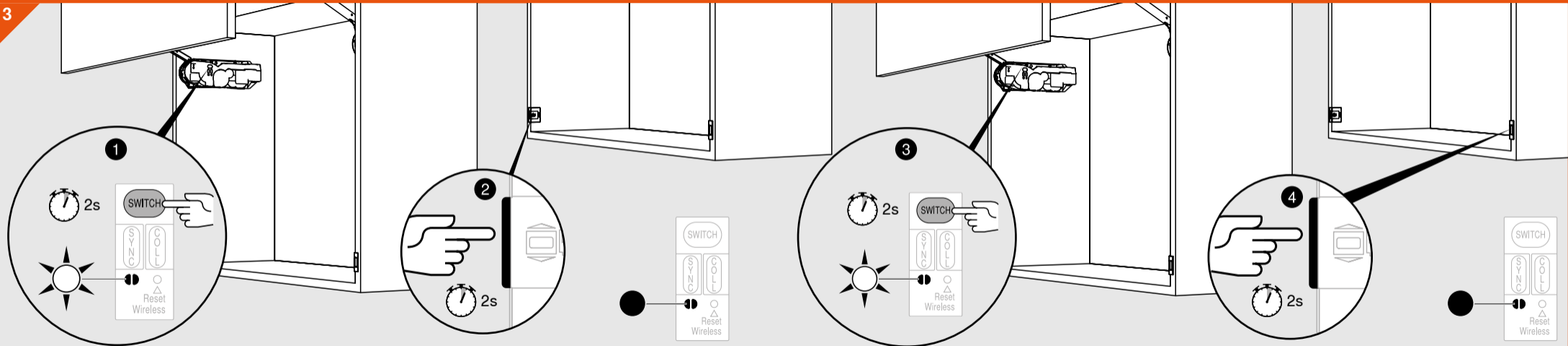


Optional

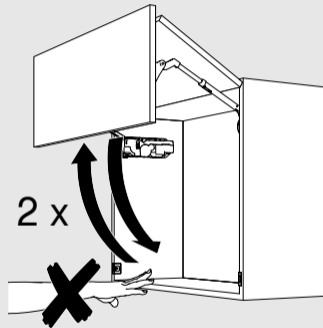
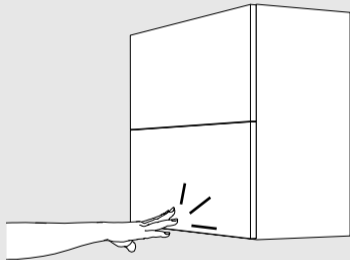
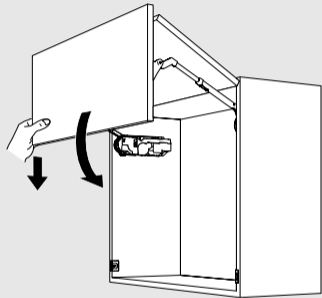


2

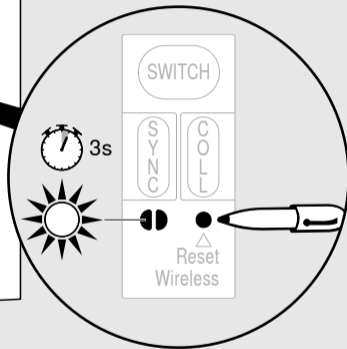
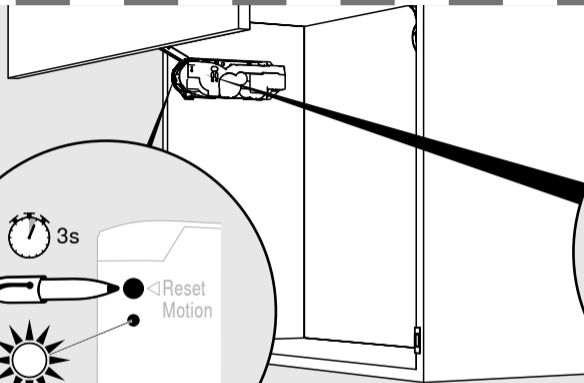
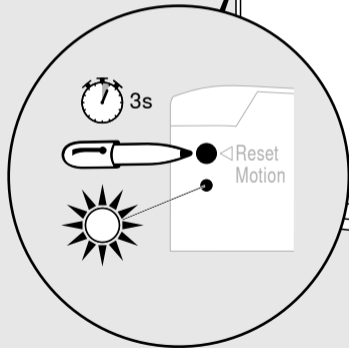




4



⚡
Error





➤ www.blum.com/sd/troubleshooting