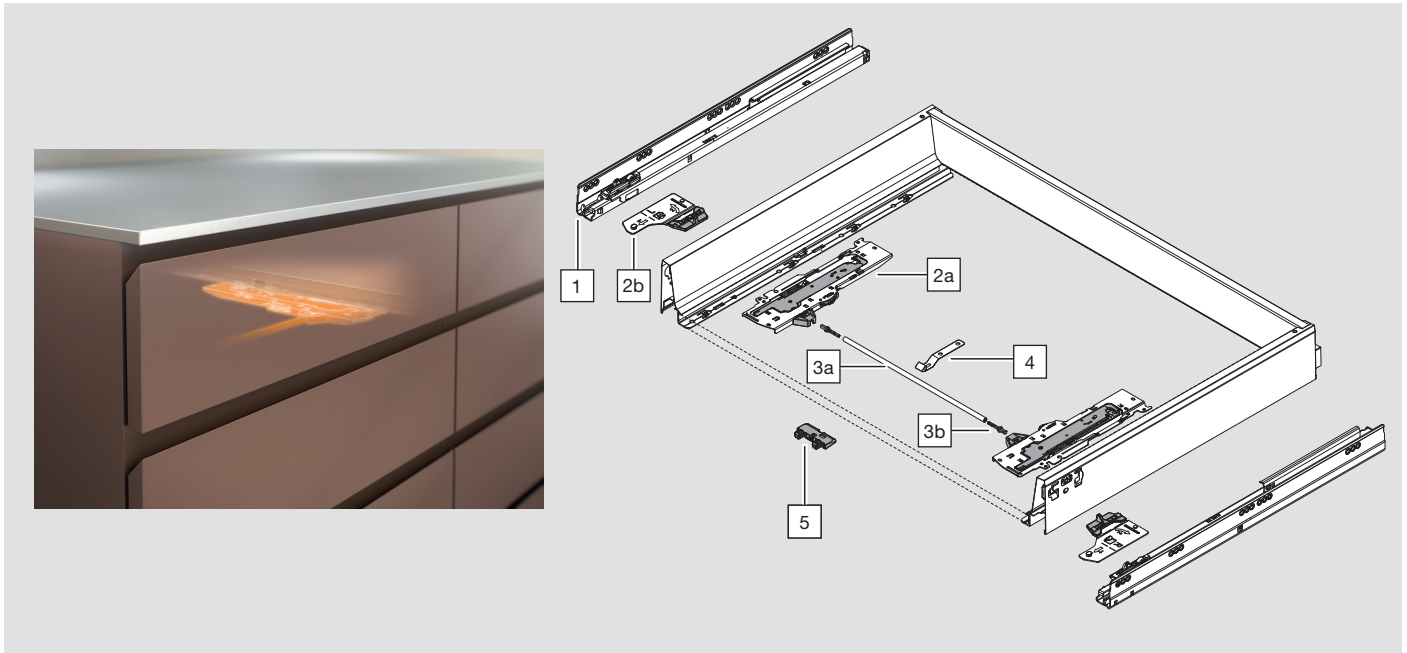



## TIP-ON BLUMOTION for TANDEMBOX

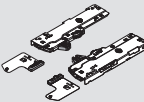
## Order specification



1	TIP-ON BLUMOTION cabinet profile TANDEMBOX left/right		
	Nominal length (mm)	30 kg	65 kg
	270	578.2701M	
	350	578.3501M	
	400	578.4001M	
	450	578.4501M	576.4501M
	500	578.5001M	576.5001M
	550		576.5501M

Make the right calculations for your TIP-ON BLUMOTION unit using the product configurator. [www.blum.com/configurator](http://www.blum.com/configurator)

The TIP-ON BLUMOTION cabinet profile/runner cannot be used for standard BLUMOTION soft-close applications because when used in isolation the BLUMOTION is compromised.

2a + 2b	Set containing TIP-ON BLUMOTION unit and TIP-ON BLUMOTION latch			Recommended weight ranges* for an optimum opening and closing function							
	Can be used for nominal length (mm)	Unit		< 10 kg	20 kg	30 kg	40 kg	50 kg	60 kg	65 kg	
	270	S0	T60B3030	≤ 10							
		S1	T60B3130		>10-20						
	350-550	L1**	T60B3330		≤ 20						
		L3	T60B3530				15-40				
		L5	T60B3560						35-65		

\* The weight specified here refers to the pull-out with front, with a load inside.



\*\* L1 cannot be used with a 65kg cabinet profile and only to be used with a 30kg cabinet profile.

TIP-ON BLUMOTION is only compatible with a TANDEMBOX optimised drawer side profile (code starting with 378).

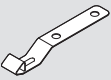
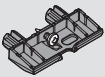
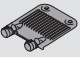
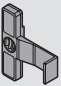
## Order specification

## TIP-ON BLUMOTION for TANDEMBOX



<b>3a</b>	<b>TIP-ON BLUMOTION synchronisation linkage for cutting to size</b>	
	Required for all internal cabinet widths $\geq 287$ mm	<b>T60.1125W</b>
	Suitable for internal cabinet widths of up to 1370 mm	
<b>3b</b>	<b>TIP-ON BLUMOTION synchronisation adapter</b>	
	Symmetrical, in combination with synchronisation linkage, two items required per synchronisation linkage, for internal width $\geq 287$ mm	<b>T60.000D</b>

### Accessories

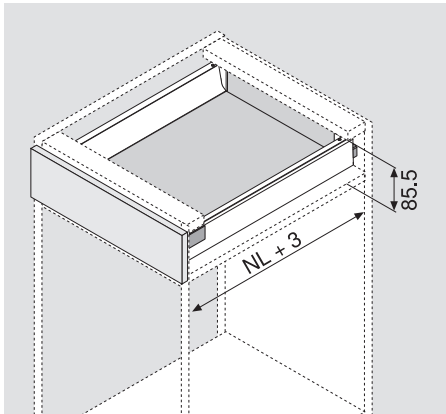
<b>4</b>	<b>Support for synchronisation linkage</b>	
	Required for cabinet widths $\geq 750$ mm	<b>T60B000H</b>
	Prevents the synchronisation linkage from sagging	
<b>5</b>	<b>Base support bracket</b>	
	Required for cabinet widths $\geq 750$ mm	<b>Z96.2011</b>
	For supporting the pull-out base	
	<b>Front stabiliser</b>	
	For stabilisation of high and wide fronts, two items needed per front.	<b>Z96.10E1</b>
	<b>Gap checking / adjustment template for TIP-ON BLUMOTION TANDEMBOX</b>	
	Setting the front gap to 2.5 mm	<b>65.5627</b>

**TIP-ON BLUMOTION  
for TANDEMBOX**

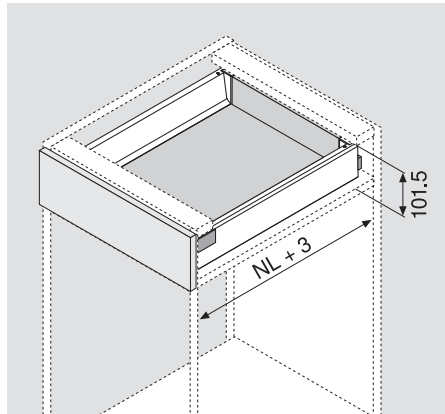


**Space requirement valid for all TANDEMBOX  
programme lines**

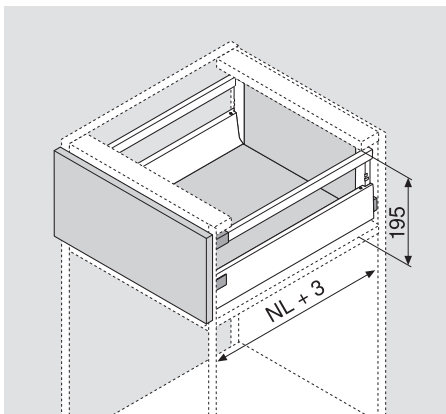
**Drawer, height N**



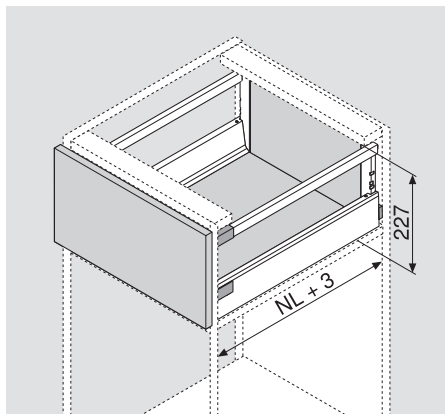
**Drawer, height M**



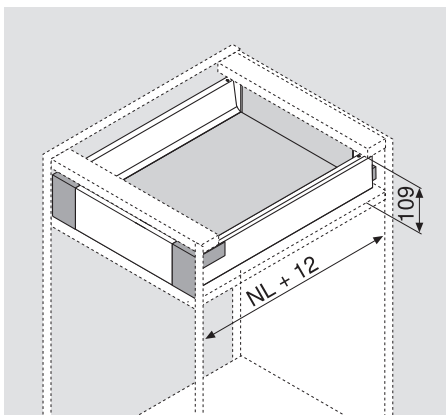
**High fronted pull-out, height C**



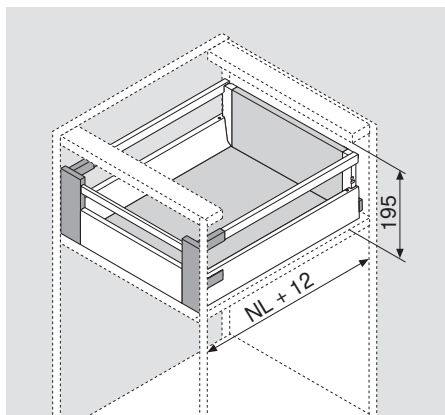
**High fronted pull-out, height D**



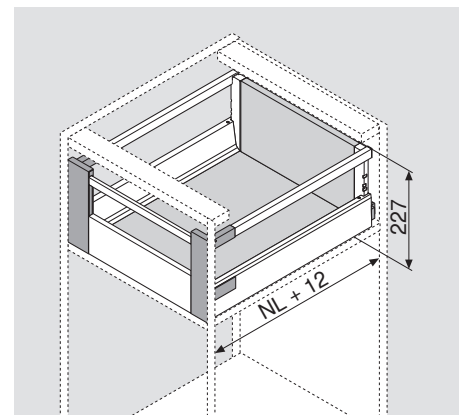
**Inner drawer, height M**



**Inner pull-out, height C**

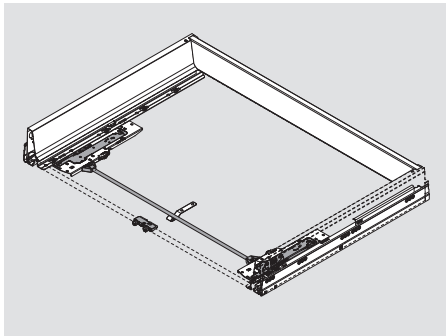


**Inner pull-out, height D**



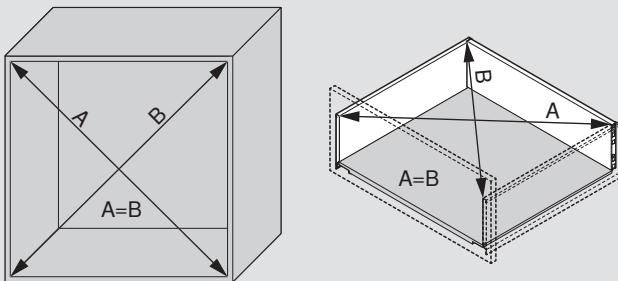
NL = nominal length

**Note: The space requirement for TIP-ON BLUMOTION is different to that for BLUMOTION**

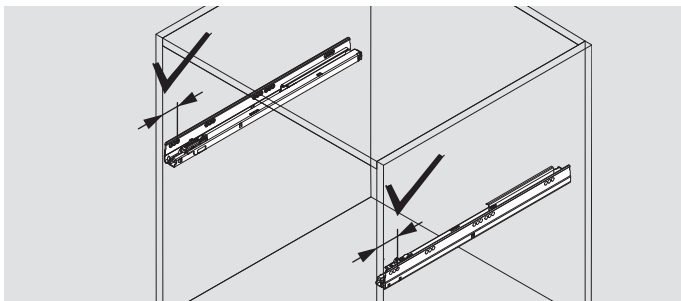


- A TANDEMBOX 'M' height drawer is used as an example in the following planning graphics.

Furniture construction

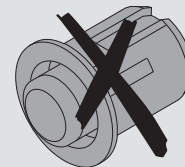


To ensure a front gap of at least 2.5 mm, precise manufacturing is required, so it should be ensured that planned measurements and angle accuracy are adhered to.



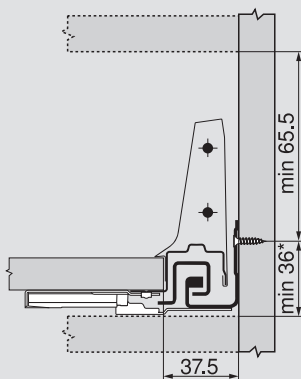
The exact depth position of both cabinet profiles is critical.

Front assembly – do not assemble buffers

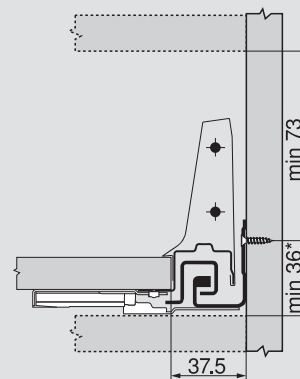


Bumpers and buffers should not be assembled for TIP-ON BLUMOTION!

Space requirements in the cabinet – drawer



Space requirements in the cabinet – inner drawer



\* For 36–39 mm: Bear in mind the position of the base leg, support for synchronisation linkage and base support bracket required for cabinet widths of 750 mm and above, in order to prevent a collision between the synchronisation linkage and the cabinet base or cross member. A trial application is recommended.

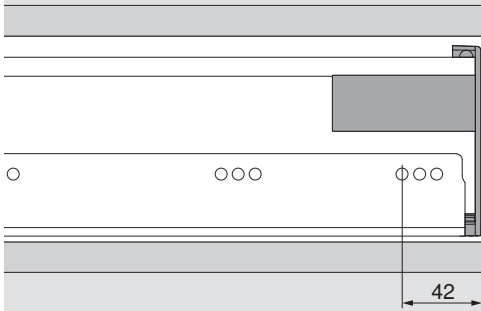
# TIP-ON BLUMOTION for TANDEMBOX



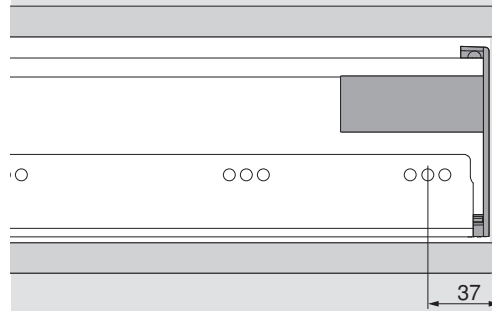
## Planning

### Screw position, TIP-ON BLUMOTION for inner drawers and inner pull-outs

Variant 1

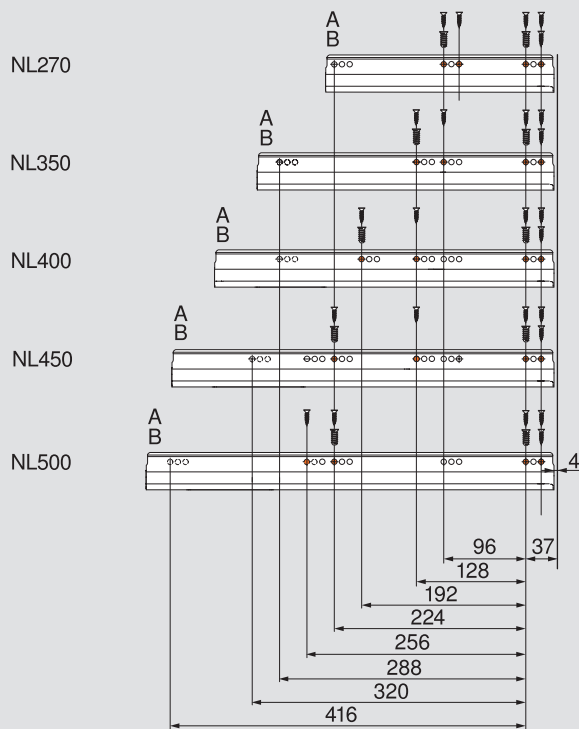


Variant 2



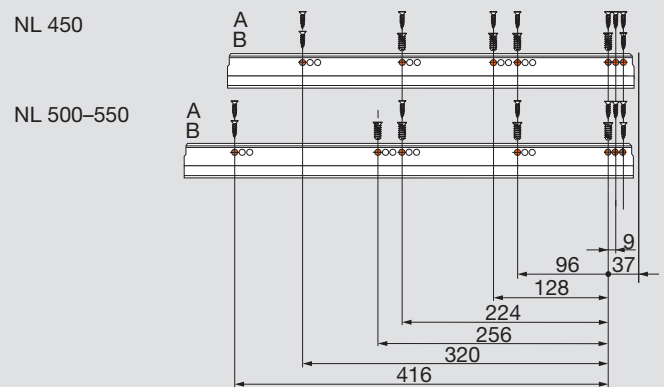
### Cabinet profile screw position – 30 kg

Nominal length NL (mm)



### Cabinet profile screw position – 65 kg

Nominal length NL (mm)

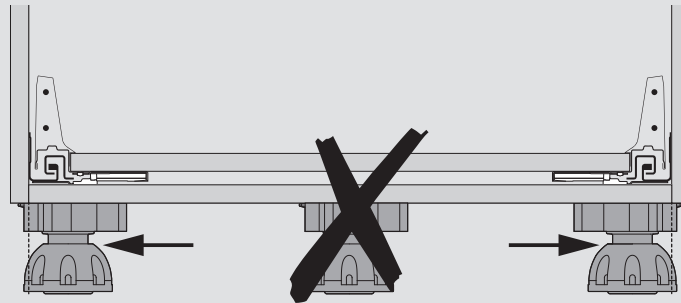


### Fixing onto cabinet

A Chipboard screw  $\varnothing$  3.5 x 15 mm

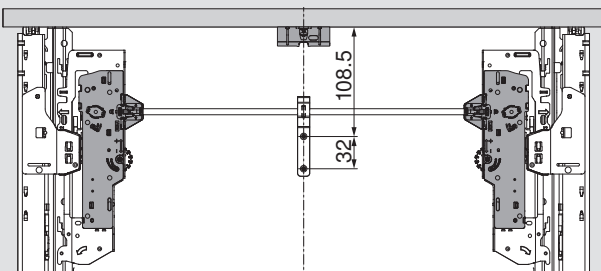
B System screw

Base leg

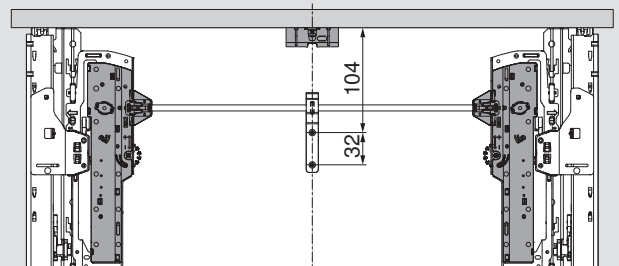


Support for synchronisation linkage

Required for cabinet widths  $\geq 750$  mm



TIP-ON BLUMOTION units S0, S1 (NL < 350 mm)



TIP-ON BLUMOTION units L1, L3, L5 (NL  $\geq 350$ –550 mm)

Fixing onto cabinet

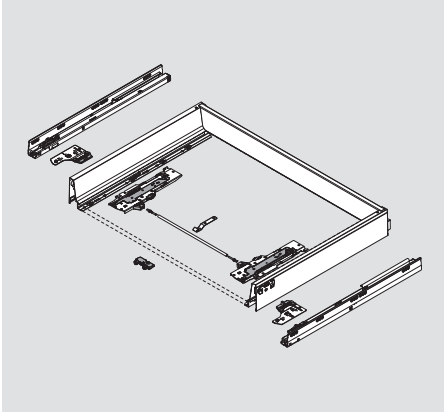
Chipboard screw  $\varnothing 3.5 \times 15$  mm

# TIP-ON BLUMOTION for TANDEMBOX



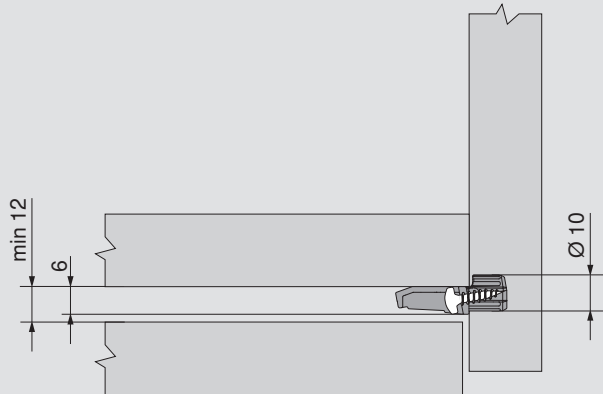
## Planning

### Base support bracket

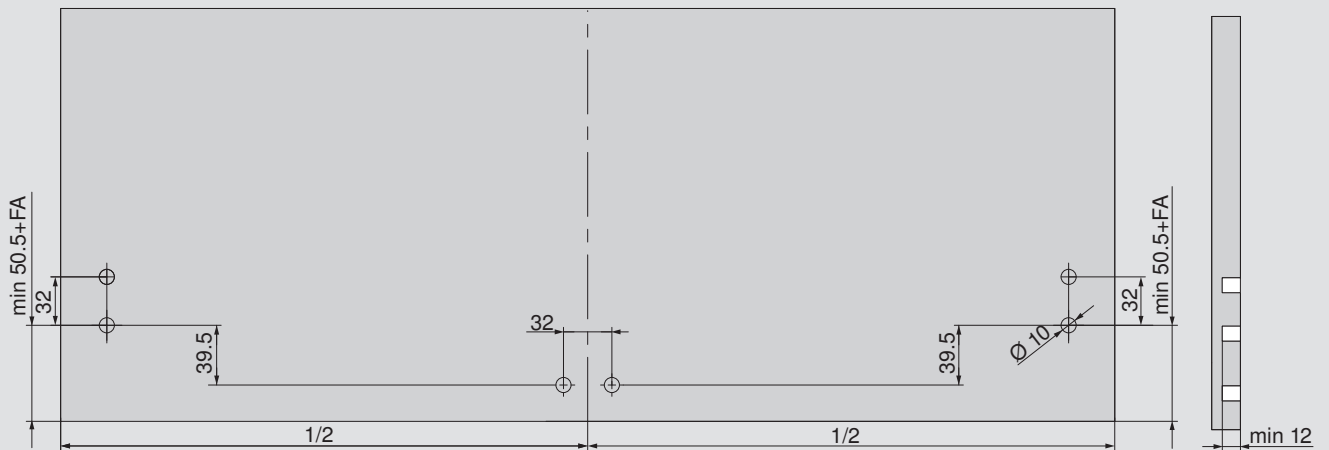


- Support for the pull-out base
- Required for cabinet widths  $\geq 750$  mm
- For pull-outs over a cabinet base or cross member

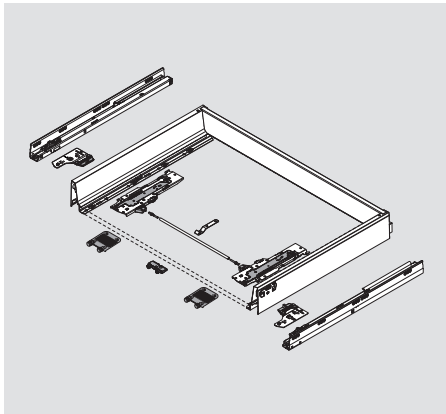
### Space requirements in the cabinet – base support bracket



### Drilling distance in the front – base support bracket

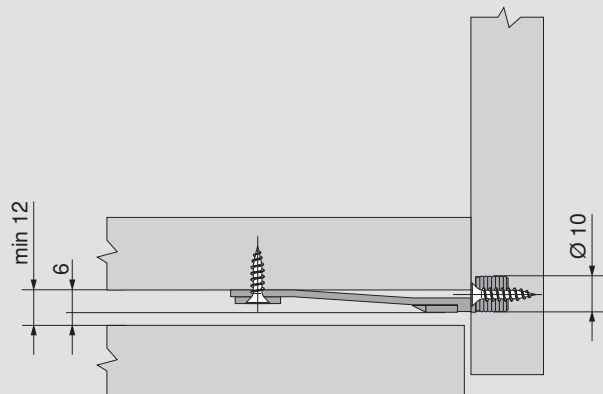


Front stabilisation for cabinet widths  $\geq 750$  mm and front heights  $\geq 400$  mm

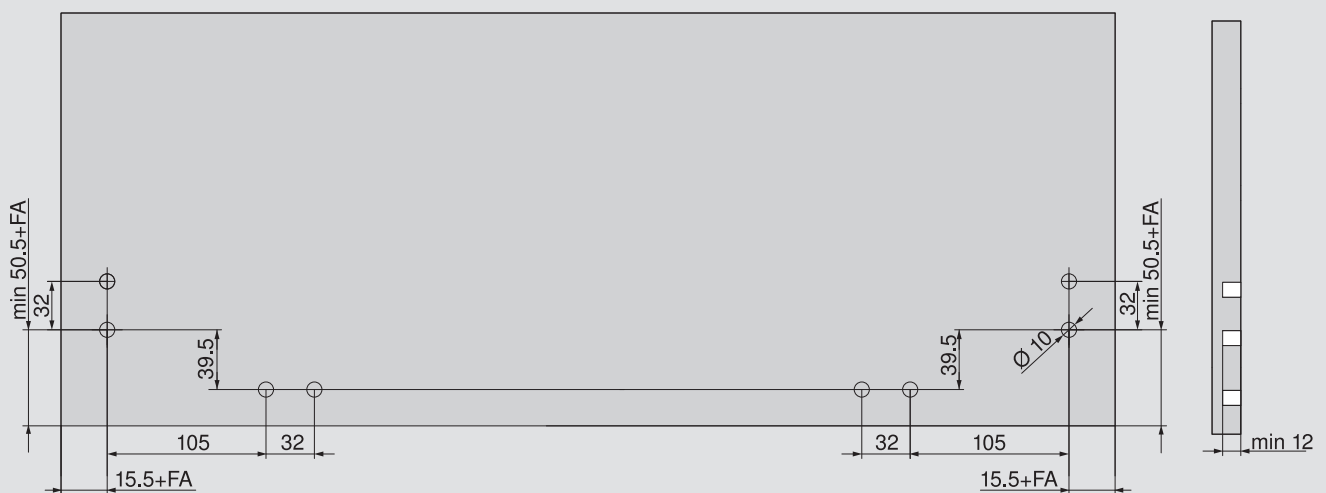


- Reinforces the connection between the drawer side and front

Space requirements in the cabinet – front stabiliser



Drilling distance in the front – front stabiliser



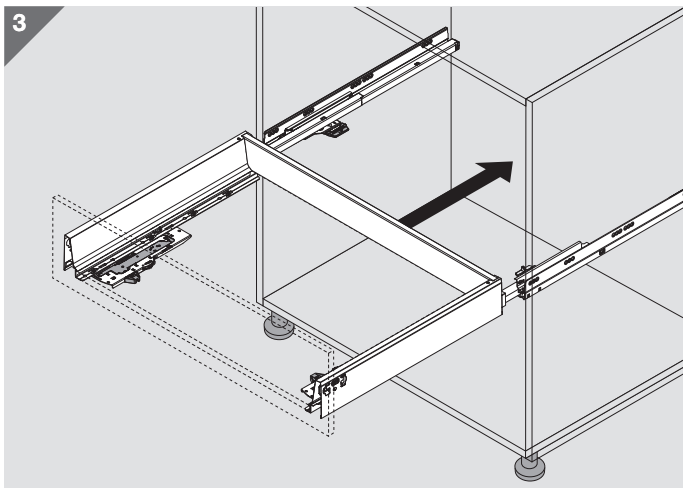
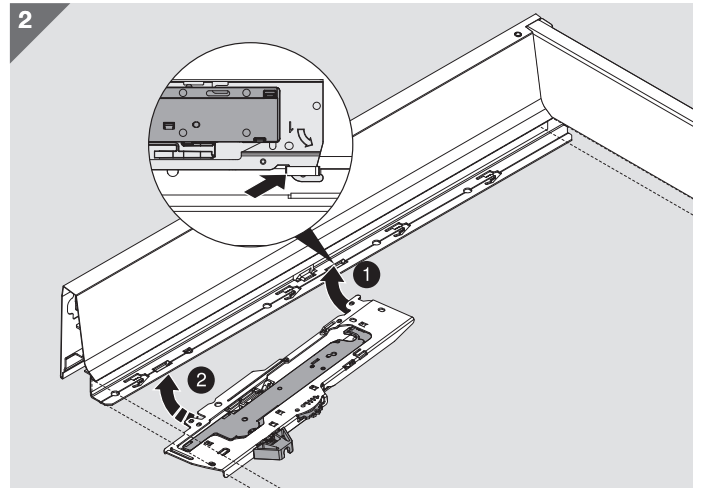
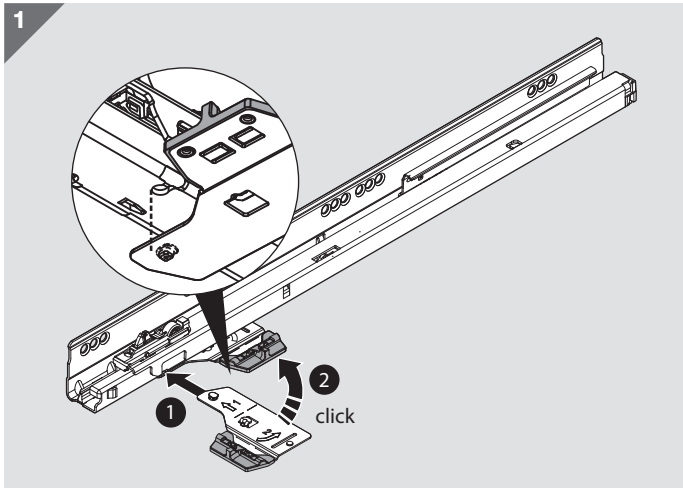


# TIP-ON BLUMOTION for TANDEMBOX

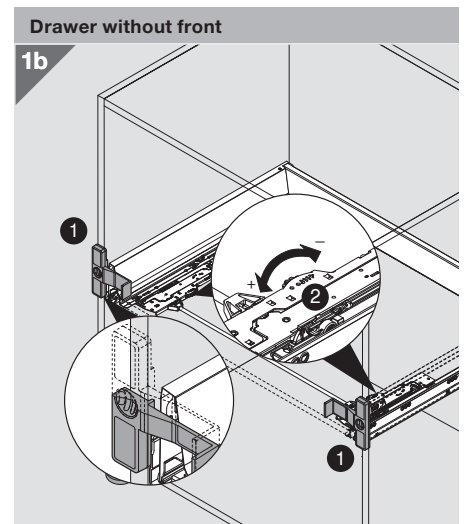
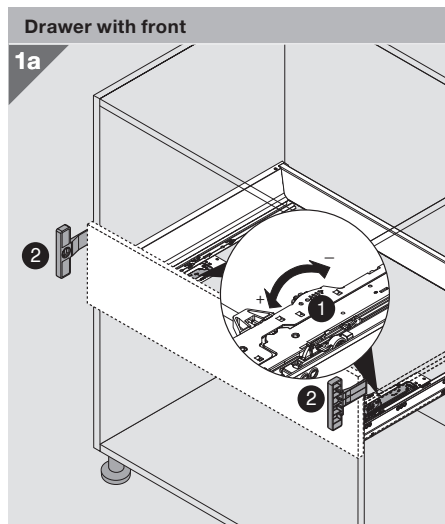
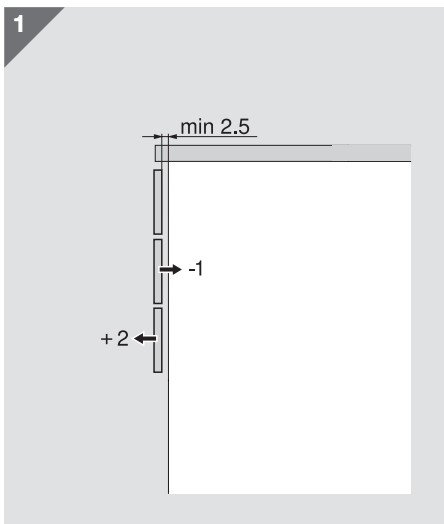


## Assembly

### TIP-ON BLUMOTION

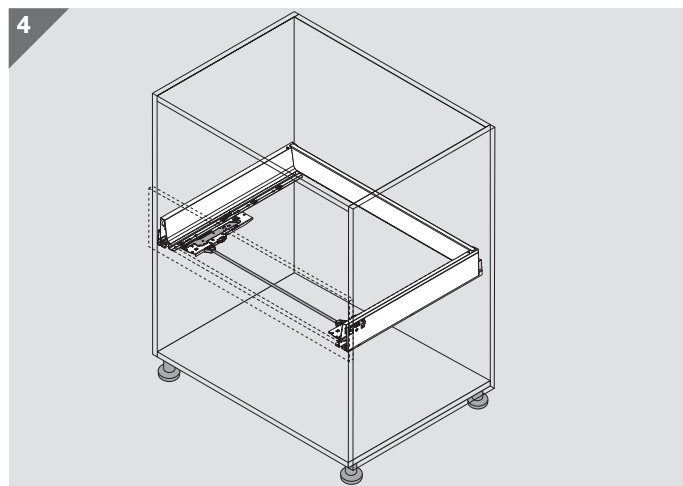
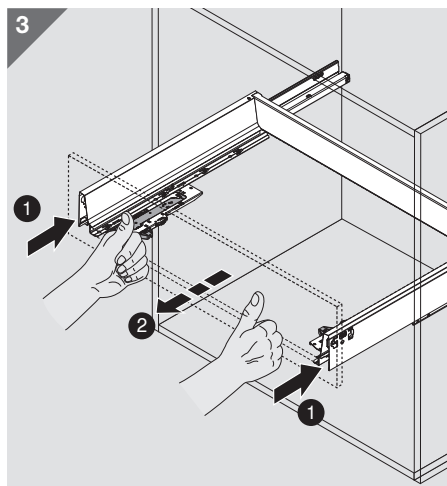
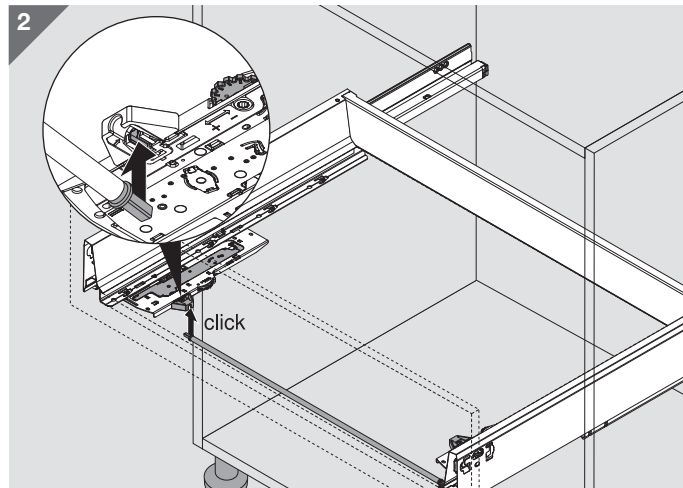
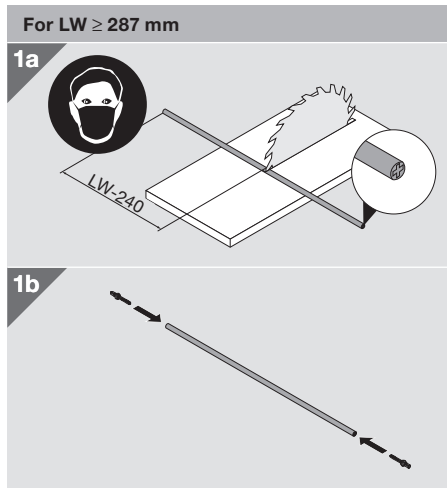


### Depth adjustment

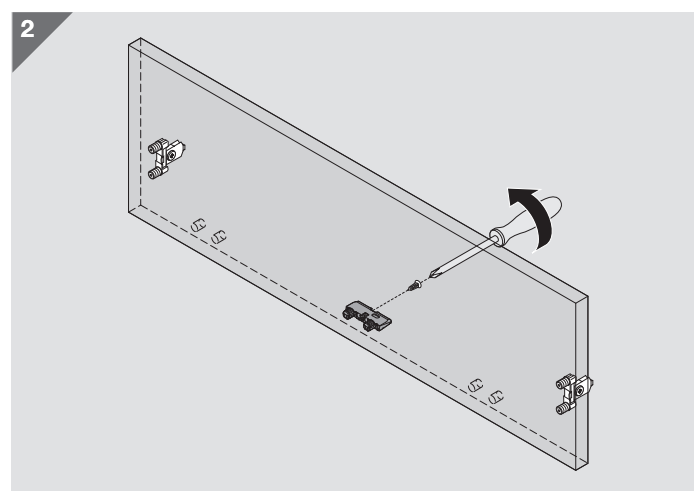
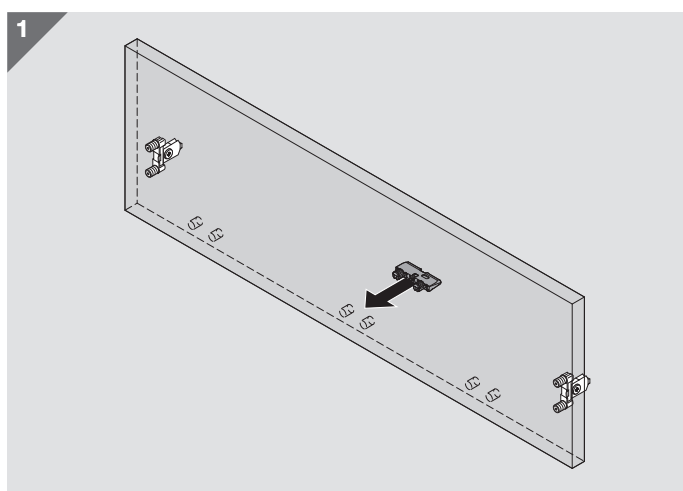


Adjust identically on each side to a minimum of 2.5 mm using the TIP-ON BLUMOTION template 65.5627.

Synchronisation



Base support bracket required for cabinet widths of 750 mm and above

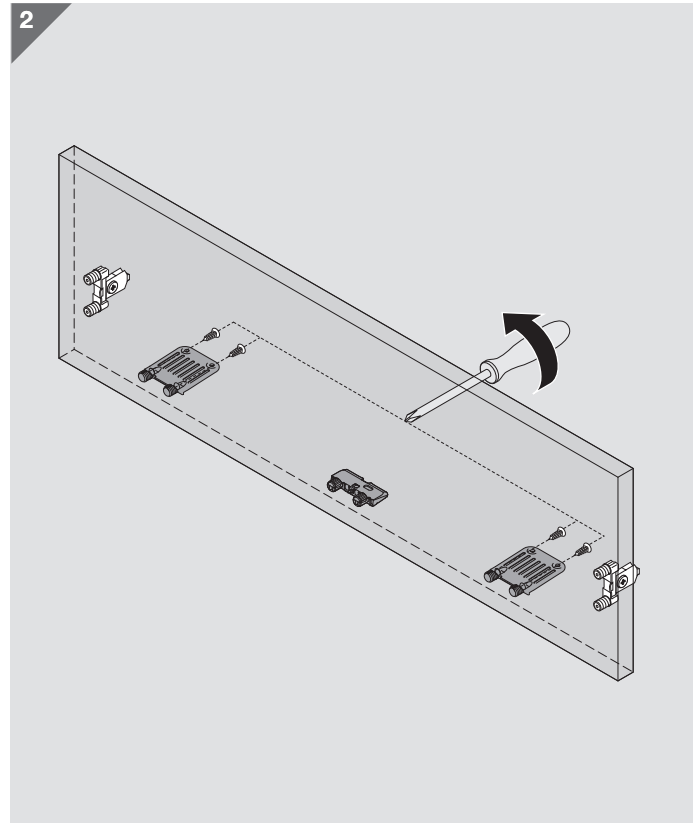
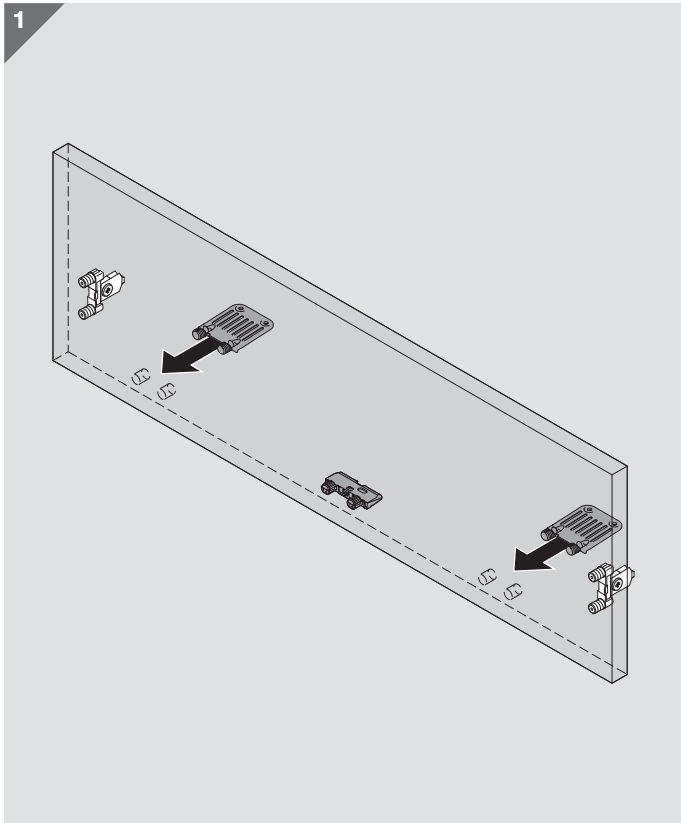


# TIP-ON BLUMOTION for TANDEMBOX

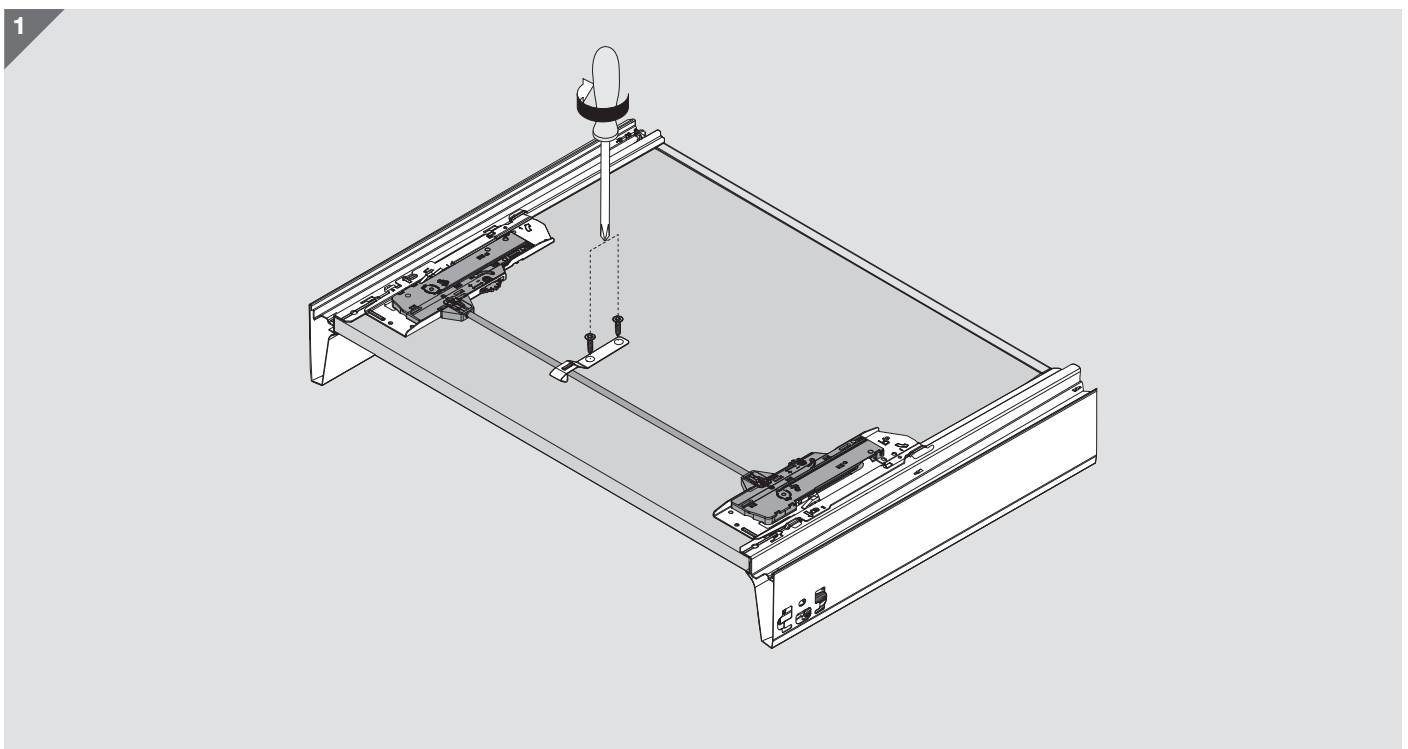


## Assembly

Front stabilisation for cabinet widths  $\geq 750$  mm and front heights  $\geq 400$  mm

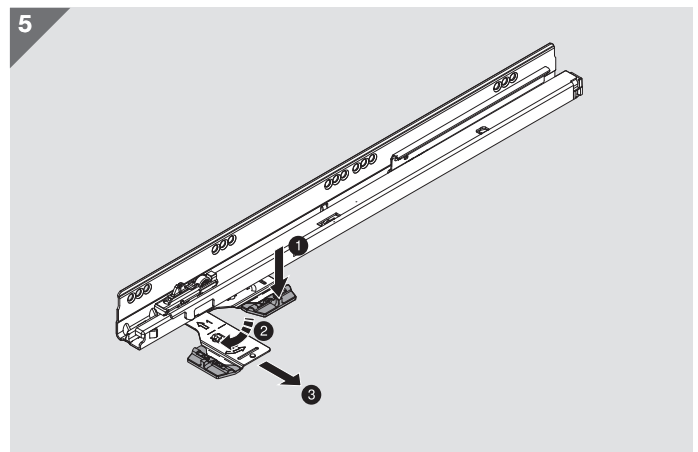
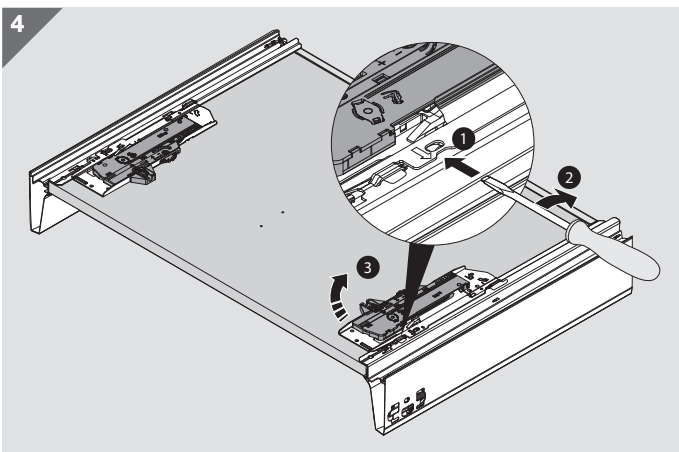
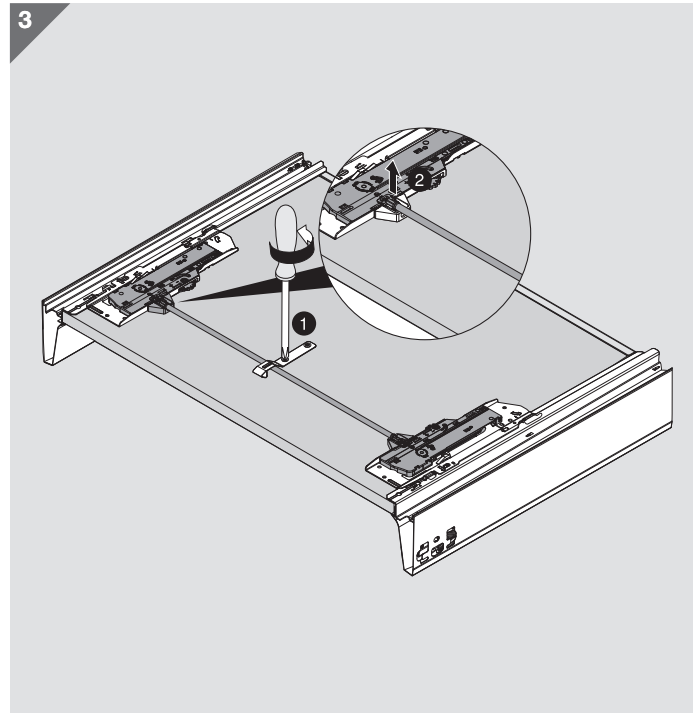
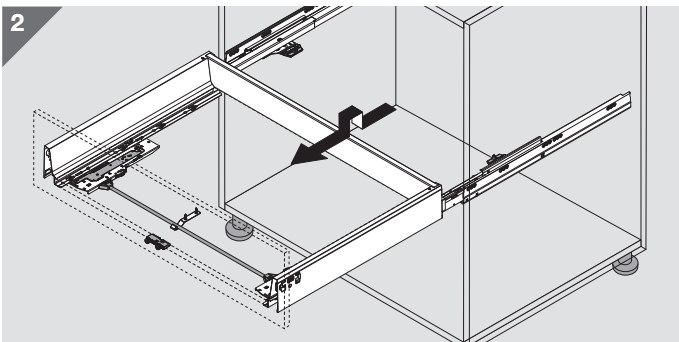
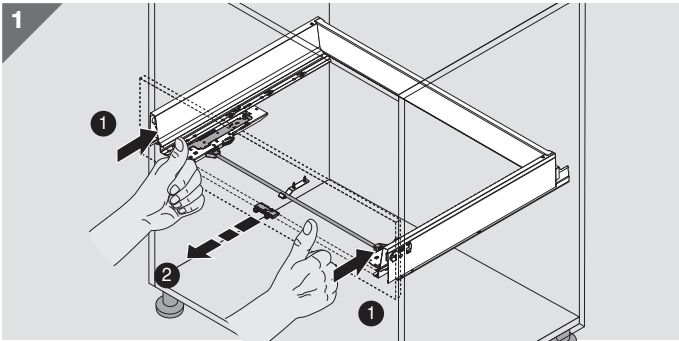


Support for synchronisation linkage required for cabinet widths of 750 mm and above



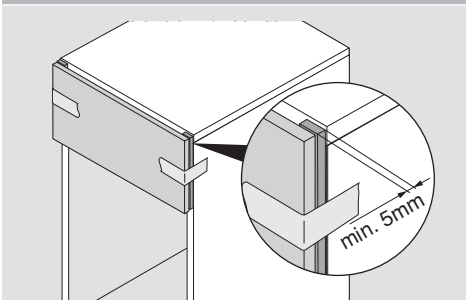
## Removal Transportation

## TIP-ON BLUMOTION for TANDEMBOX

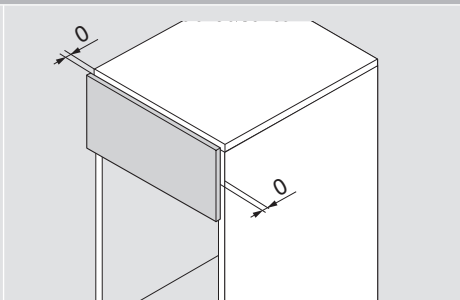


## Transportation

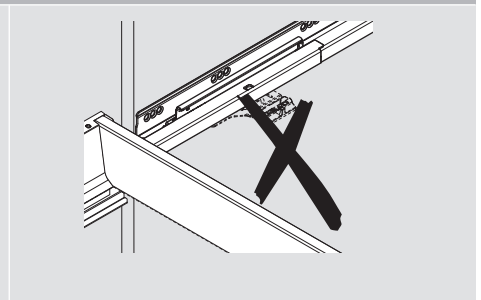
To prevent damage to pre-assembled furniture during transportation:



a) clamp an insert between front and cabinet or



b) adjust the front gap to 0 mm or



c) transport without latch.