

# TIP-ON for doors

Easy opening with integrated  
door gap adjustment



# Single-touch opening

Handle-less fronts open at a single touch with the TIP-ON mechanical opening system by Blum. To close, simply press shut. TIP-ON is combined with the tried and tested unsprung CLIP top hinge to deliver top quality motion for doors. TIP-ON can also be used for AVENTOS stay lifts.

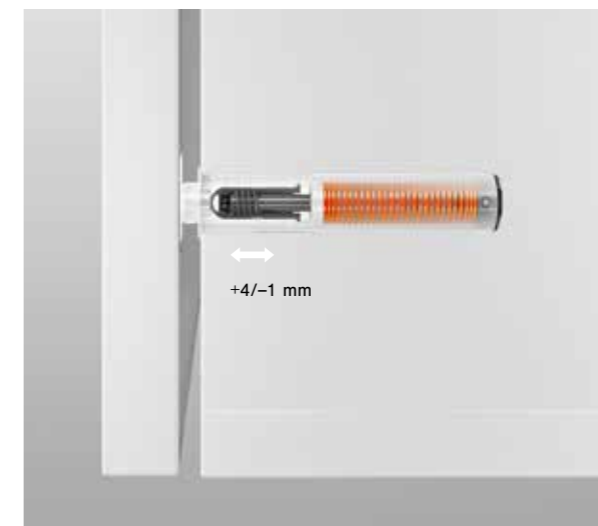
## Contents

- 04 Programme
- 06 Applications
- 08 Assembly and adjustment
- 10 Ordering information
- 13 Assembly instructions
- 14 moving ideas



## Extended programme

You will always find the right TIP-ON unit for doors and AVENTOS stay lifts thanks to the wide array of colours and comprehensive programme of adapter plates. You can opt between the short and long version of TIP-ON, for drilling or with an adapter plate depending on application. The door gap adjustment feature is integrated in all models. The fitting merges beautifully with the cabinet interior, offering freedom of design and top quality motion.



### Tool-free door gap adjustment

The adjustment feature (+4/-1 mm) has been incorporated into the TIP-ON unit so even TIP-ON for drilling has integrated gap adjustment. To adjust gap, turn the ejector pin. The click-stop positions allow you to easily find the right setting.



### Harmonious integration

TIP-ON can be adjusted so that it is the perfect match for your cabinet interior. TIP-ON is available in silk white and carbon black, giving you great freedom of design. It also blends in harmoniously with furniture interiors.



### Extended adapter plate programme

Both the short and long version of TIP-ON can be combined with a wide array of adapter plates, ensuring that you can maintain a slim design. Opt for the rectangular and straight-cut plate for a sleek and discreet look.

# Multitude of applications

The extended TIP-ON programme offers you even more design options for handle-less doors and lift systems throughout the home. No matter whether TIP-ON for drilling or TIP-ON with an adapter plate, the fitting delivers the top quality motion you can rely on.



All the components of furniture interiors harmonise beautifully with TIP-ON. For more freedom of design for furniture – in kitchens, dining rooms, living rooms and bathrooms.



# Easy assembly

TIP-ON offers you sophisticated technology and easy adjustment because the door gap adjustment feature is integrated in the fitting. There are special assembly templates by Blum. They are an extra help for installation and ensure that TIP-ON functions perfectly.



## Easy assembly

The drilling template for BLUMOTION and TIP-ON helps you drill the horizontal fixing positions of TIP-ON for doors and stay lifts.



## Optimal protection

The fully enclosed TIP-ON housing ensures perfect installation and protects the technology on the inside of the TIP-ON unit.



## Precise transfer of measurements

The mounting position is indicated on the lower part of the adapter plate. Or you can use the template for positioning.



## Versatile assembly

The adapter plates can be fixed with chipboard screws or system screws – the choice is yours.



## Secure closing

The catch plate is the counterpart to TIP-ON. There are two versions: a glue-on version or one that screws to the door. The TIP-ON magnet ensures that the front stays closed.



## Integrated door gap adjustment

The arrow markings tell you in which direction to turn the ejector pin. One turn (= 4 click-stop positions) adjusts the door gap by 1 mm. The ejector pin cannot be turned beyond the pre-defined adjustment range.

**Ordering and planning information**

**Short version with magnet**



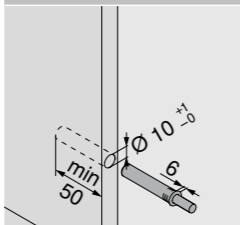
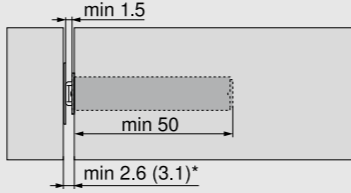
- For overlay doors up to approx. 1300 mm in height
- For unsprung hinges
- For drilling  $\varnothing 10 \times 50$  mm
- Nylon
- Output path approx. 17 mm
- Incl. glue-on and screw-on catch plates
- Adjustment from +4.0/-1.0 mm

Colour variants

SW	CS
----	----

Standard spring **956.1004**

**Planning**

\* min. 2.6 mm with glue-on catch plate or 3.1 mm with screw-on catch plate

**Long version with magnet**



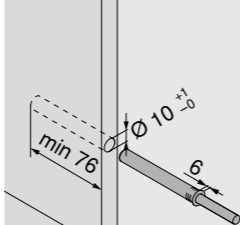
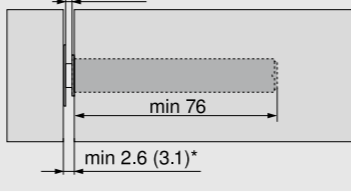
- For overlay doors starting from approx. 1300 mm in height or inset doors
- For unsprung hinges
- For drilling  $\varnothing 10 \times 76$  mm
- Nylon
- Output path approx. 38 mm
- Incl. glue-on and screw-on catch plates
- Adjustment from +4.0/-1.0 mm

Colour variants

SW	CS
----	----

Standard spring **956A1004**

**Planning**

\* min. 2.6 mm with glue-on catch plate or 3.1 mm with screw-on catch plate

**Assembly devices**

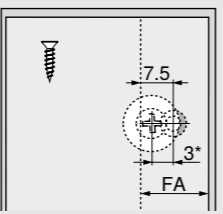
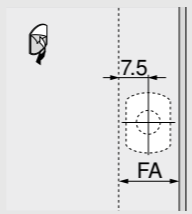


**Drilling template**

To drill holes in front face for TIP-ON

**65.5010**

**Screw-on/Glue-on catch plate**

\* For screw-on catch plates we recommend positioning 3 mm away from TIP-ON. For hard surfaces and/or MTF,  $\varnothing 2.5$  mm pre-drilling and counter-sinking if required.

The surface of the front must be clean, oil-free and dry.

FA front overlay

**Ordering and planning information**

**Inline adapter plate – short version – 20/17**



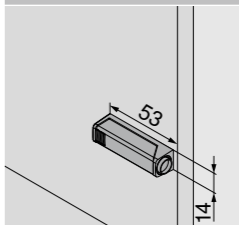
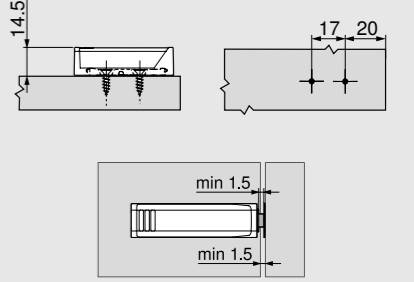
- Assembly using chipboard screws  $\varnothing 3.5$  mm or  $\varnothing 4$  mm or with system screws
- Nylon
- TIP-ON must be ordered separately

Colour variants

SW	CS
----	----

**956.1201**

**Planning**

**Inline adapter plate – long version – 20/32**



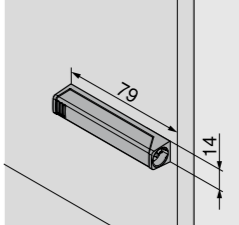
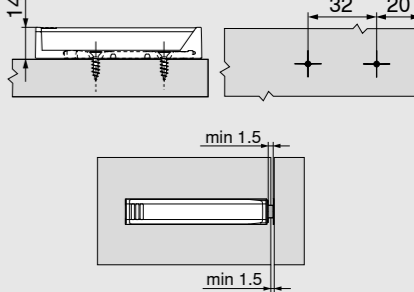
- Assembly using chipboard screws  $\varnothing 3.5$  mm or  $\varnothing 4$  mm or with system screws
- Nylon
- TIP-ON must be ordered separately

Colour variants

SW	CS
----	----

**956A1201**

**Planning**

**Assembly devices**

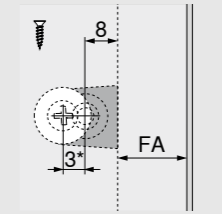
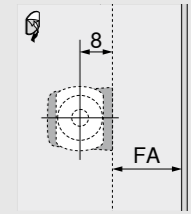


**Template**

To pre-drill fixing positions of adapter plates

**65.5300**

**Screw-on/Glue-on catch plate**

\* For screw-on catch plates we recommend positioning 3 mm away from TIP-ON. For hard surfaces and/or MTF,  $\varnothing 2.5$  mm pre-drilling and counter-sinking if required.

The surface of the front must be clean, oil-free and dry.

FA front overlay

**Colour variant abbreviations**

SW	silk white
CS	Carbon black

Application	Boss fixing				
		Overlay application	Dual application	Inset application	Blind corner
110° hinge	INSERTA	70T3590.TL			
	Screw-on	70T3550.TL			
	Knock-in	70T3580.TL			
100° hinge	Knock-in	70M2580.TL			
155° wide angle hinge	INSERTA	70T7590.TL			
	Screw-on	70T7550.TL			
95° profile door hinge	INSERTA	70T9590BTL			
	Screw-on	70T9550.TL			
95° blind corner hinge inset application	Screw-on				78T9550.TL
95° aluminium frame door hinge	Screw-on	70T950A.TL			
Hinge for thin doors	EXPANDO T	70T453T.TL	70T453T.TL	70T453T.TL	

Assembly and adjustment

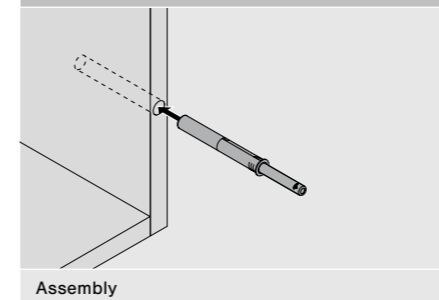
Assembly position

Optimal opening support is achieved if the TIP-ON unit is attached exactly where the handle would be.

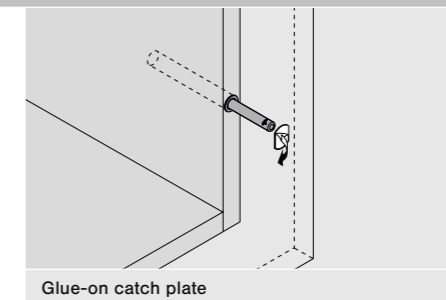
The fixing position can deviate ± 300 mm in height and up to a quarter of the cabinet width in terms of width.



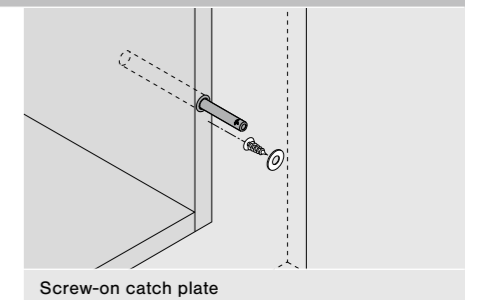
Short/long version for drilling



Assembly

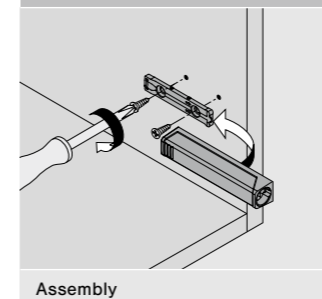


Glue-on catch plate

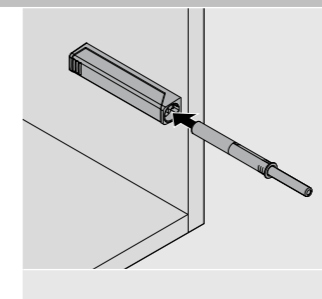


Screw-on catch plate

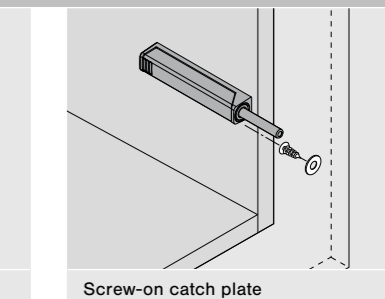
Inline adapter plates



Assembly

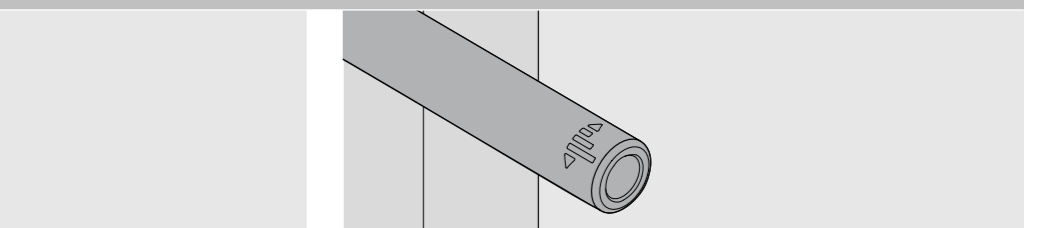
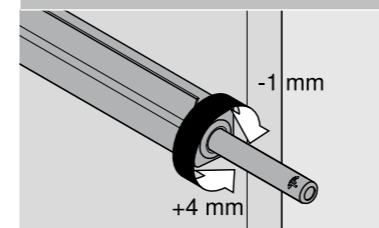


Glue-on catch plate



Screw-on catch plate

TIP-ON adjustment



# moving ideas

We believe that ideas can move the world. We offer innovative fittings, inspiring furniture concepts and appropriate services so that you can turn your creative ideas into reality. We are driven by your needs, international trends and our shared vision of a better quality of living. Let us work together to create moving ideas.



## Quality of living

We would like you to enjoy greater convenience and functionality when using furniture.



## Product range

Everything from a single source: our wide range of products allows you to keep up with today's and tomorrow's trends.



## Inspiration

We monitor global trends and strive to create the solutions of tomorrow. We like to share our insights with you.



## Innovation

We stay in motion. Curiosity and pioneering spirit drive us to develop new products and services for you.



## Services

We support your daily operations with customised services tailored to your processes.



## Quality

We continuously strive to improve our products, services and ourselves.



## Trust

We take responsibility for partnerships, our employees, society and the environment.

Julius Blum started our journey in 1952 with horseshoe studs. Today we supply innovative fittings to customers in over 120 countries.

 **Houzz** PRO:  
Blum Australia

 **Instagram:**  
@blumaustralia, #blumaustralia

 **Facebook:**  
facebook.com/blumaustralia

 **Android App on Google Play:**  
Easy Assembly App

 **Available on the App Store:**  
Easy Assembly App

 **Tag Us:**  
#blumaustralia

**Blum Showrooms  
Sydney (Head Office)**

10 Blackbird Close  
Len Waters Estate NSW 2170  
Ph: 02 9612 5400

**Adelaide**

179 Railway Terrace  
Mile End SA 5031  
Ph: 08 8118 6070

**Brisbane**

6/39-45 Compton Road  
Underwood QLD 4119  
Ph: 07 3135 9490

**Melbourne**

245 Ferntree Gully Road  
Mount Waverley VIC 3149  
Ph: 03 9982 1720

**Perth**

3/425 Scarborough Beach Road  
Osborne Park WA 6017  
Ph: 08 6467 0110

**Blum Australia Pty Ltd**

PO BOX 1615  
Green Valley, NSW, 2168  
Australia

Toll Free: 1800 179 186  
E-mail: info.au@blum.com  
blum.com

