

 **blum** [®]

Perfecting motion

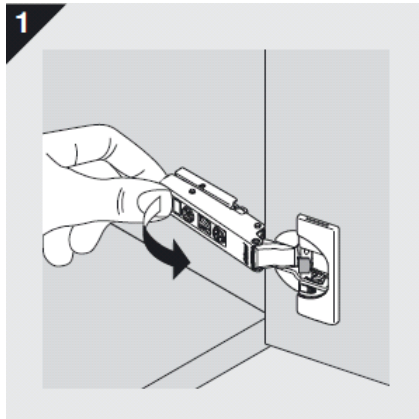
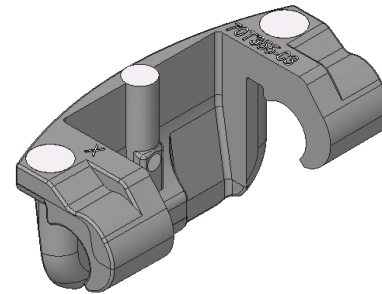


Installing Blum Opening Angle Stops

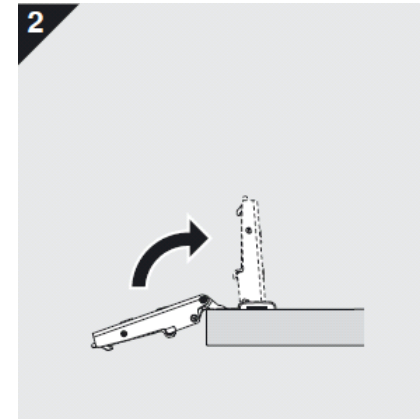
Quick Reference Guide

110° CLIP top BLUMOTION hinge

- Opening Angle Stop for 110° CLIP top BLUMOTION hinges, 86° restricted opening – **70T3553**



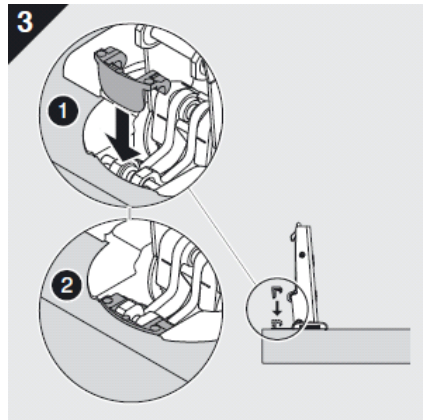
•Remove hinge from mounting plate



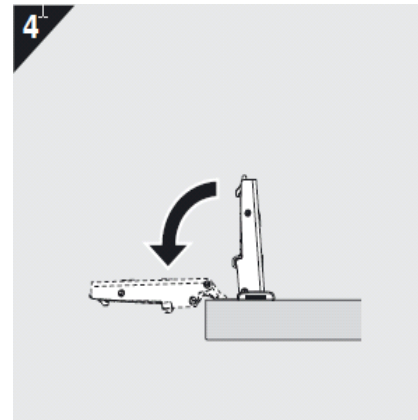
•Flip hinge arm up to closing position

110° CLIP top BLUMOTION hinge

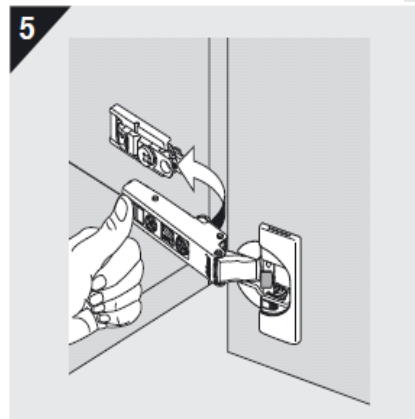
- Opening Angle Stop for 110° CLIP top BLUMOTION hinges, 86° restricted opening – **70T3553**



•Install stop so that the hooks lock over linkage pins



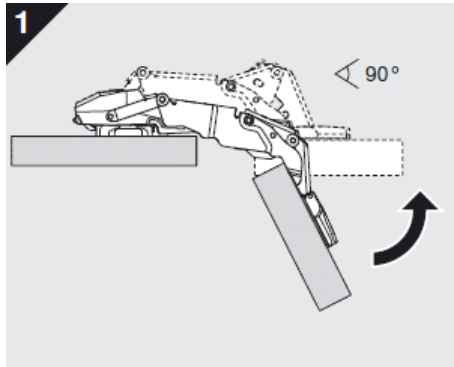
•Flip hinge arm down to opening position



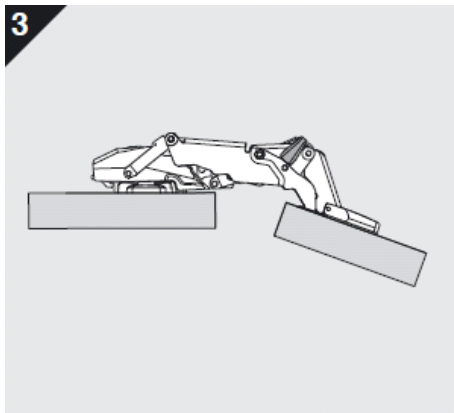
•Install hinge back onto mounting plate

155° CLIP top Zero Protrusion hinge

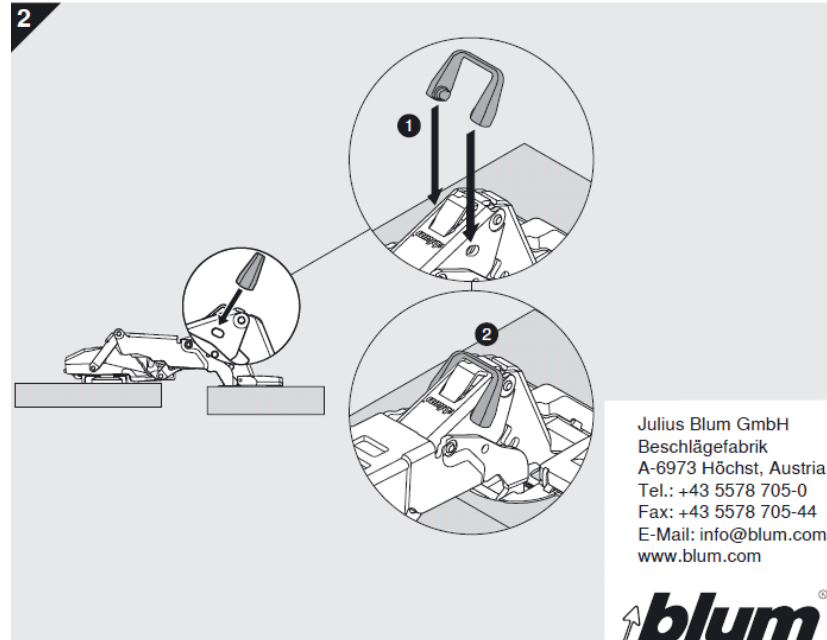
Opening Angle Stop for 155° CLIP top Zero Protrusion hinges,
110° restricted opening – 70T7503N



•Open hinge arm to 90° angle opening



•Hinge will now be restricted to 110° angle opening

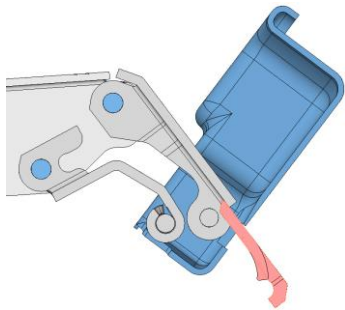


•Install stop into the oval holes below the raised Blumotion trigger point

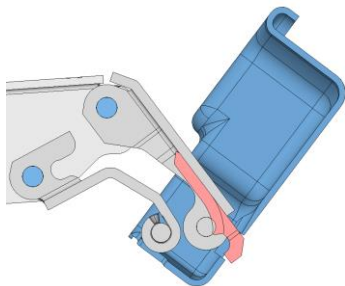
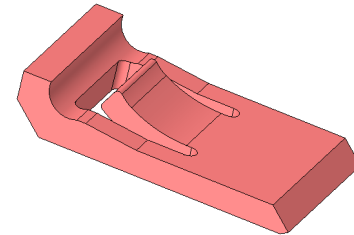
Julius Blum GmbH
Beschlägefabrik
A-6973 Höchst, Austria
Tel.: +43 5578 705-0
Fax: +43 5578 705-44
E-Mail: info@blum.com
www.blum.com

107° CLIP top hinge

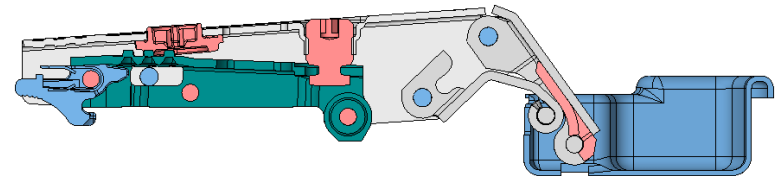
- Opening Angle Stop for 107° CLIP top hinges, 86° restricted opening – 74.1103



■ Insert the opening angle stop into slot on the underside of hinge cup, with the tab facing toward the linkage pins.

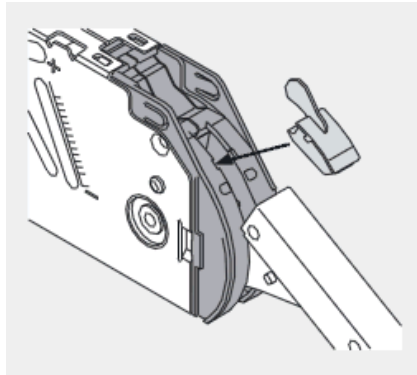


■ Push the opening angle stop into the slot and ensure the tab clips over the linkage pin to lock it in position.

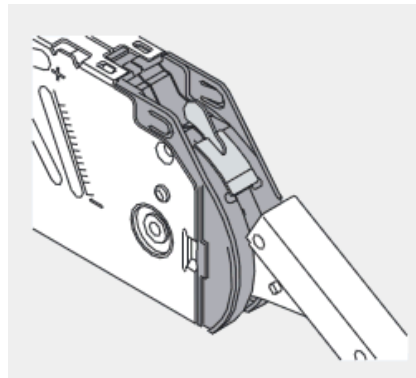


AVENTOS HF Stops

- Opening Angle Stop for HF Aventos, 83° restricted opening – **20F7011**
- Opening Angle Stop for HF Aventos, 104° restricted opening – **20F7051**



■ Place the opening angle stop into the main slot and locate the 2 notches on the underside of the stop into the small cutouts.

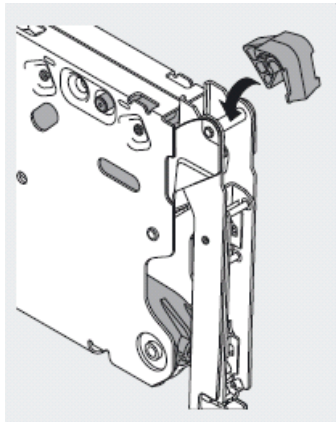


■ Slide the opening angle stop in the main slot upwards away from the arm until the stop locks into position.

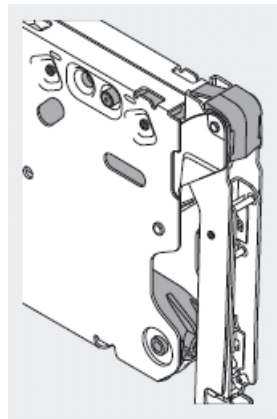
AVENTOS HF Stops



- Opening Angle Stop for HK Aventos, 75° restricted opening – **20K7011**
- Opening Angle Stop for HK Aventos, 100° restricted opening – **20K7041**



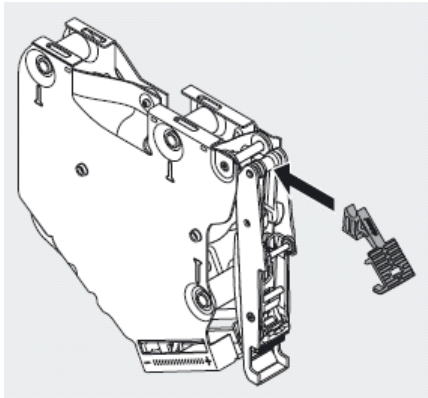
▪Place the opening angle stop over the linkage pin with the arrow shaped end facing down the arm.



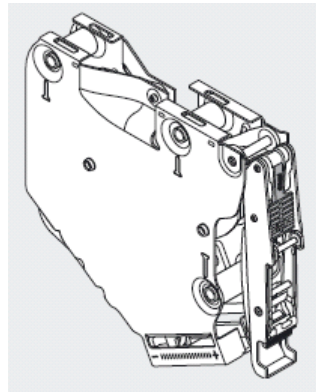
▪Clip the opening angle stop down over the linkage pin to lock into position.

AVENTOS HF Stops

- Opening Angle Stop for HK-S Aventos, 75° restricted opening – **20K7A11**
- Opening Angle Stop for HK-S Aventos, 100° restricted opening – **20K7A41**



■ Place the opening angle stop under the linkage pin with the square end facing down the arm.



■ Clip the hooks underneath the square end of the opening angle stop down over the plastic linkage to lock into position.

 **blum** [®]

Perfecting motion