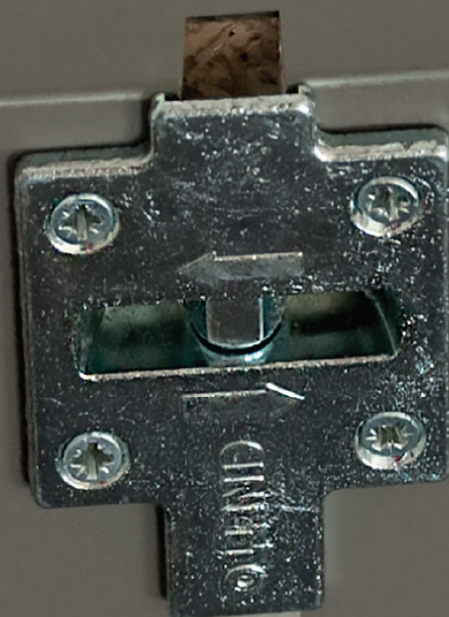


# CINETTO ADJUSTABLE DOOR STRAIGHTENER

(BR04)

Assembly instructions



**CBR04DS**



wilson  
&bradley

All dimensions in this leaflet are stated in millimeters.

### **WARNING**

Do not use any anti-friction oil or grease or thread-release spray on ball bearing or on wheels with O-ring, it can cause the melting of the inside ball bearing grease, making them noisy or causing the break of the O-ring of the wheels.

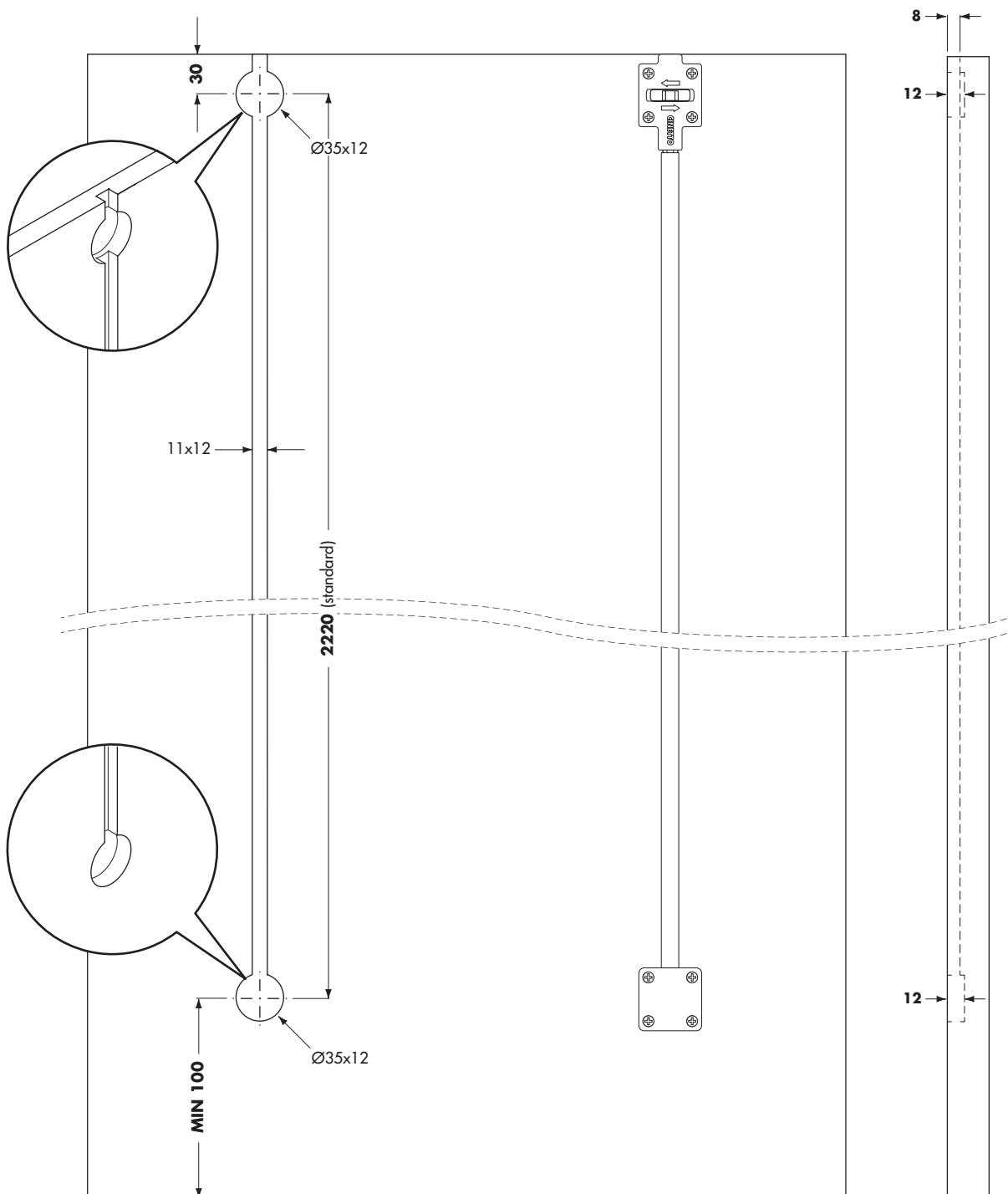
### **ABBREVIATIONS**

W	width
WA	door width
L	length
LB	rail length
D	depth
H	height
I	distance between centres
T	thickness
S	overlapping

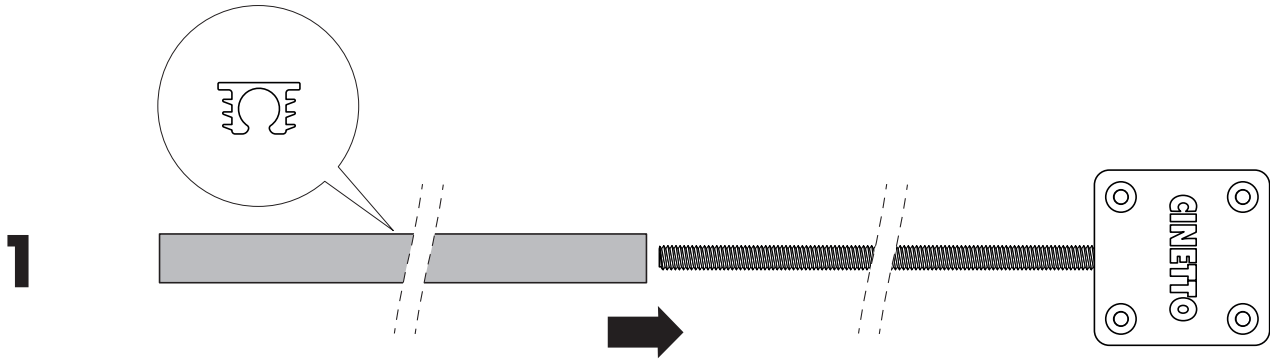
The pictures and descriptions this leaflet contains are supplied for information purposes. The company reserves the right to introduce those modifications it deems opportune for any construction or commercial need at any time and without advance notice.

# CBR04DS

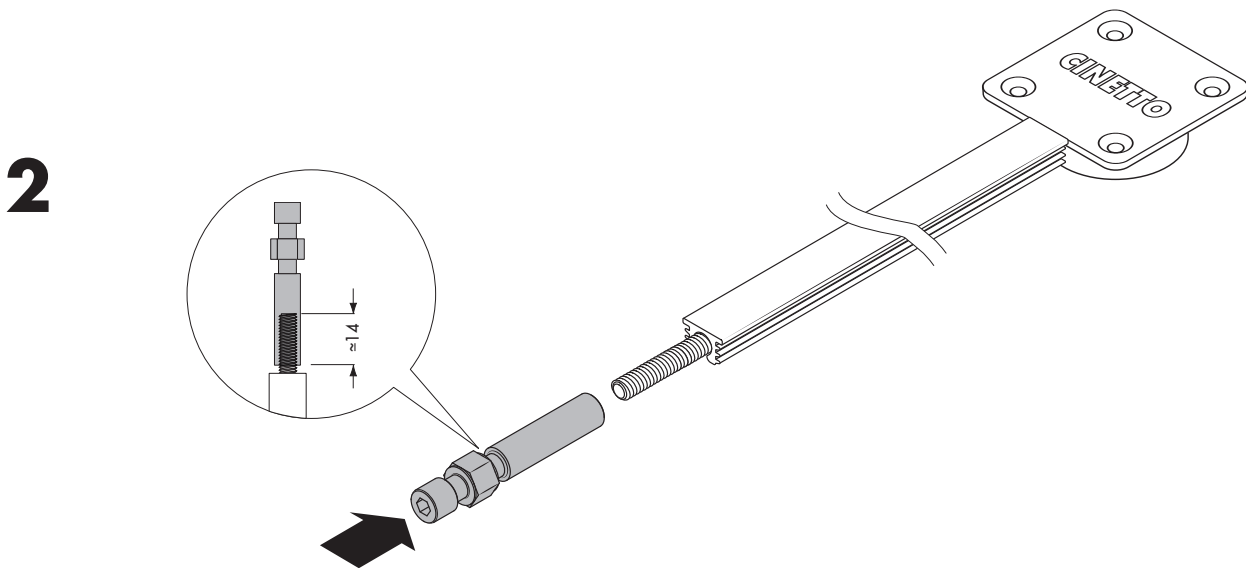
## Working requests for the doors



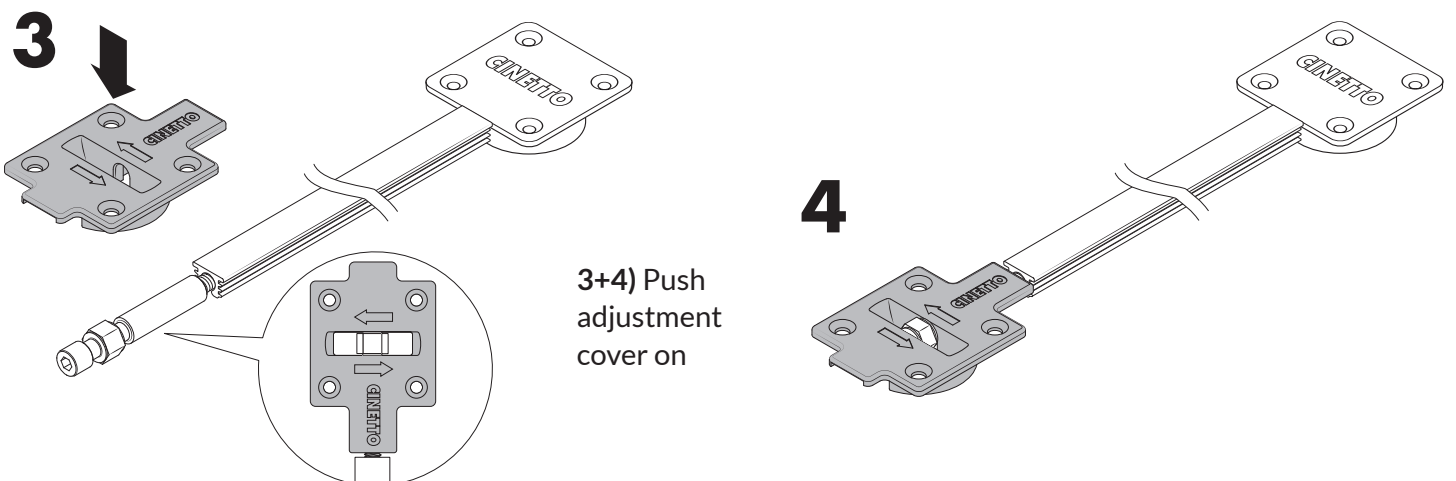
# Assembly instructions



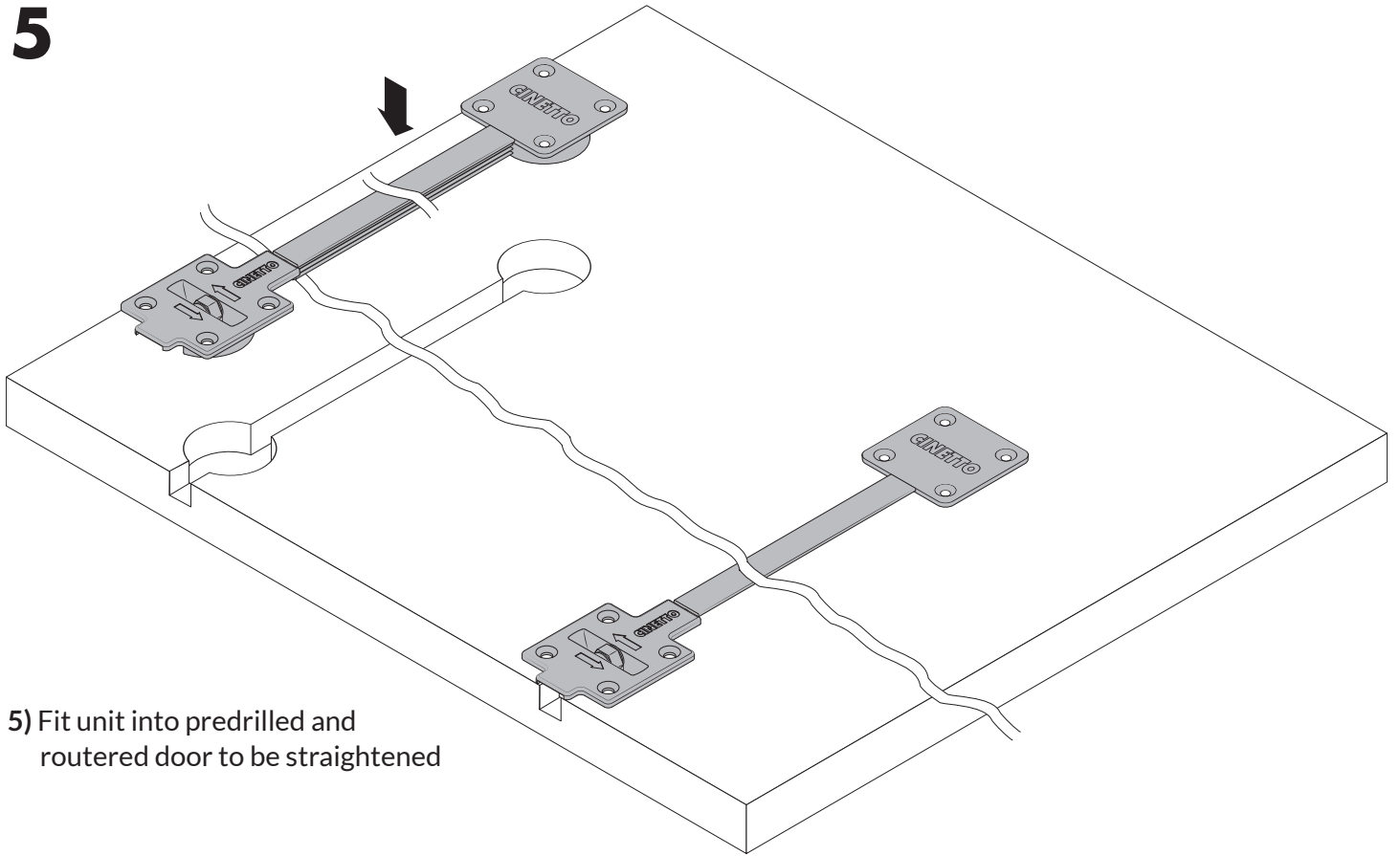
1) Slide cover over threaded rod, and push to fixed end cup



2) Screw adjustment pin onto rod, ½ way approx. 14mm. ( this gives max adjustment)



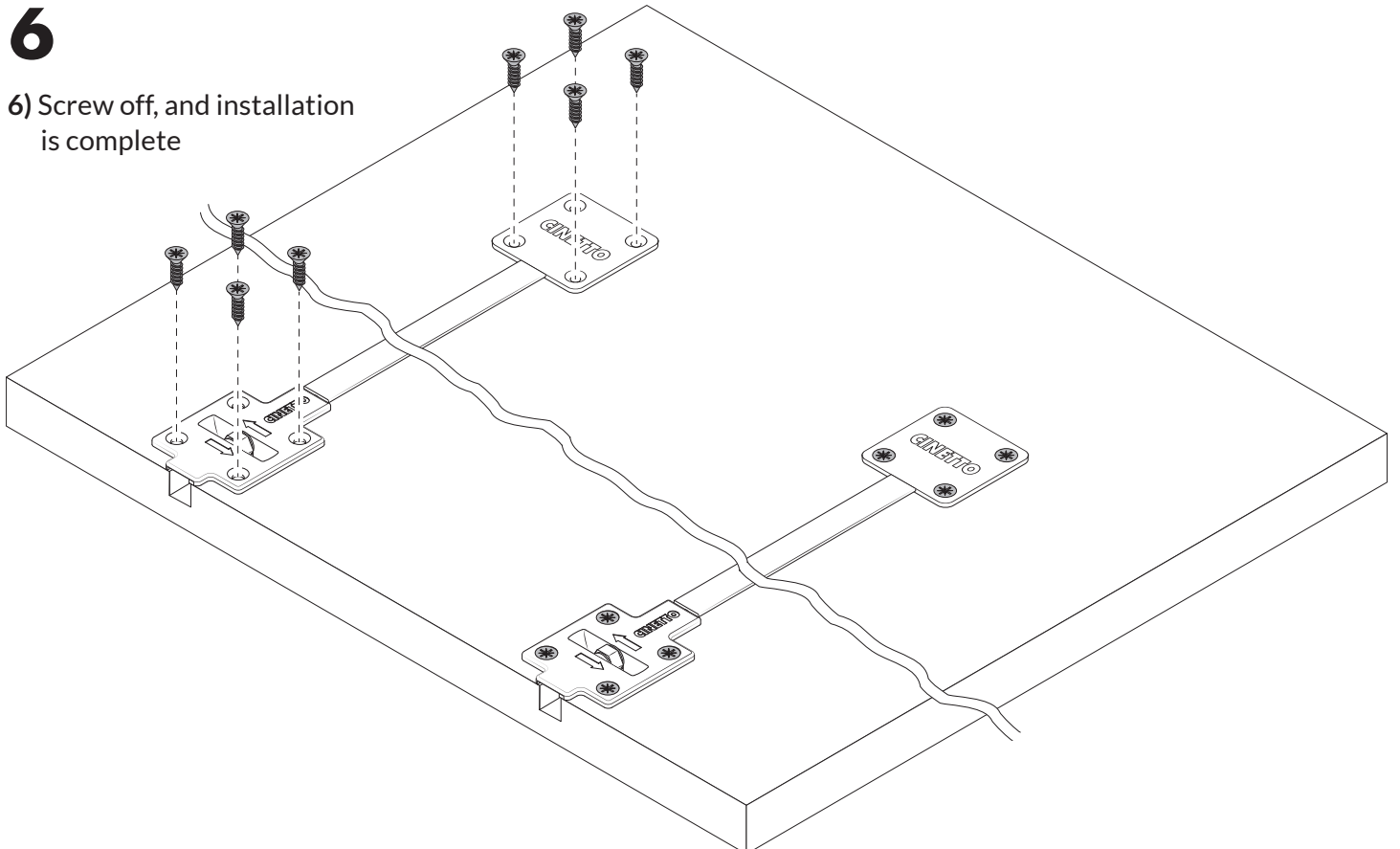
**5**



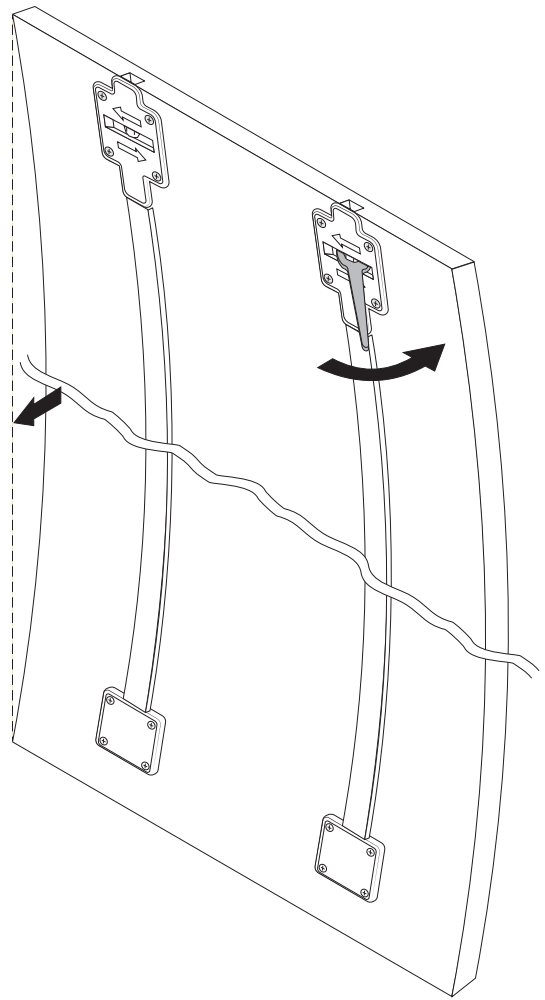
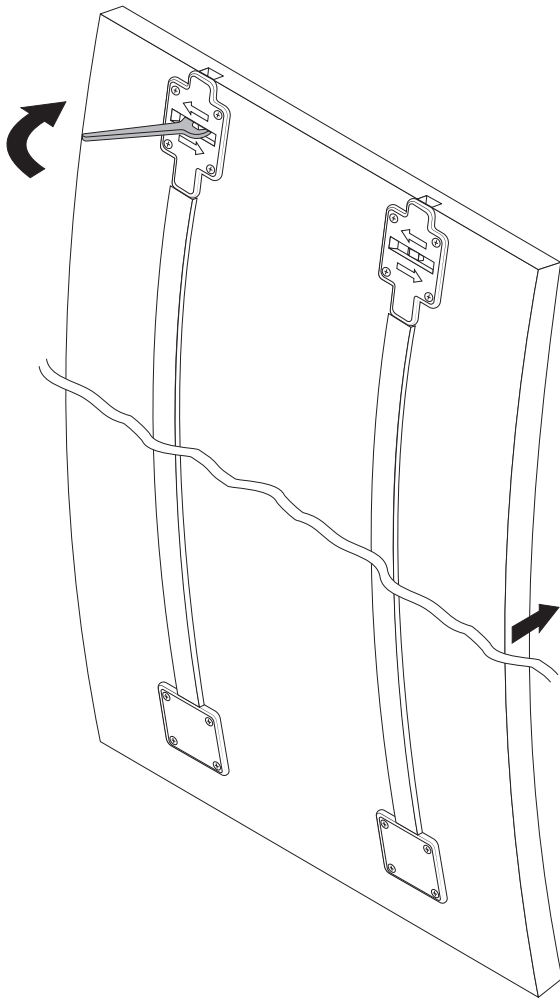
5) Fit unit into predrilled and routed door to be straightened

**6**

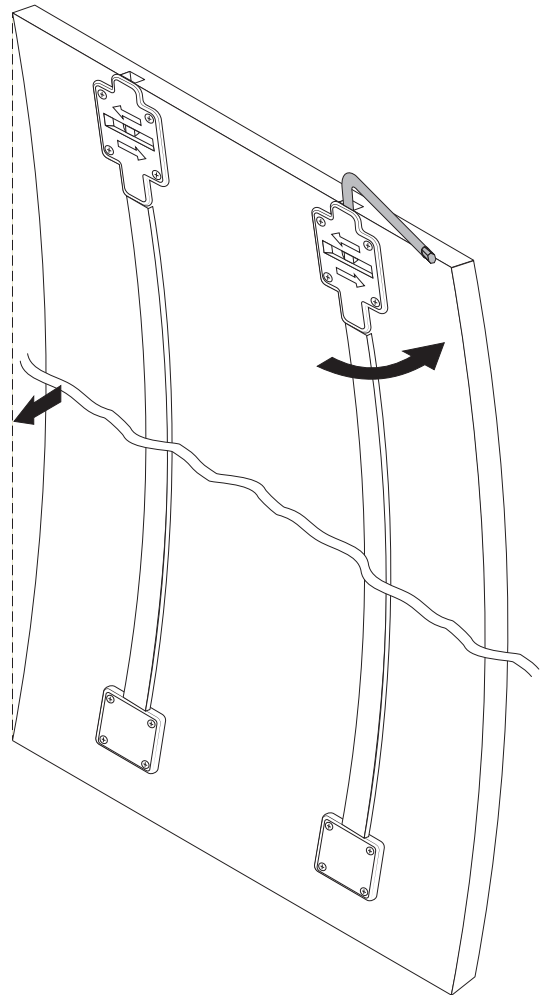
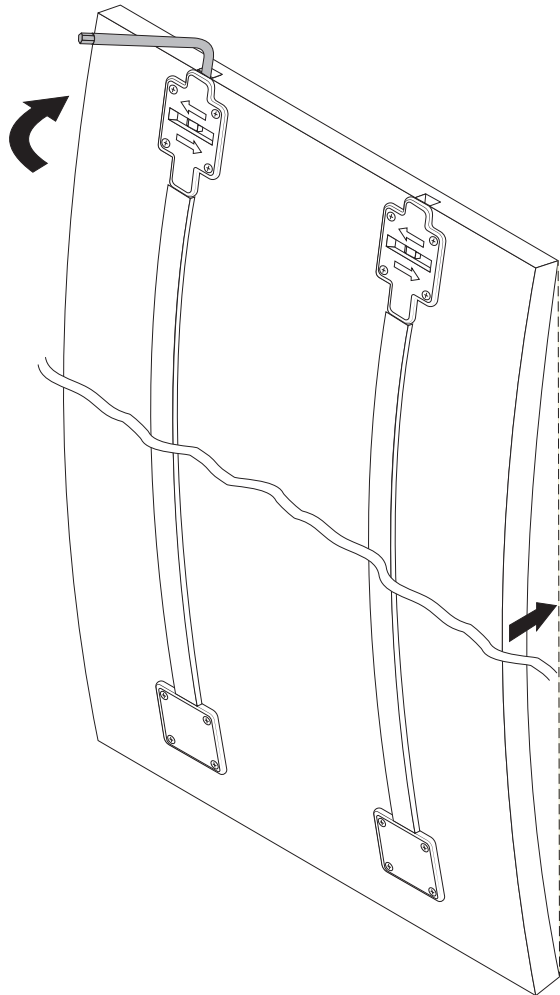
6) Screw off, and installation is complete




# 7a




# 7b



# Icons



Allen-key



Vertical adjustment