



CLIP top BLUMOTION

Everything inside

cliptopblumotion.blum.com
www.blum.com

Perfecting motion  **blum**[®]



CLIP top BLUMOTION is setting new benchmarks

High-tech for perfect motion

BLUMOTION
inside

With CLIP top BLUMOTION, you have "everything inside:" Because BLUMOTION, our function for silent and effortless closing action, is integrated into the boss.

Get to know the advantages of integrated BLUMOTION and discover the possibilities of the new CLIP top BLUMOTION hinge. Inspire your customers: With perfect motion, for all furniture doors, for the lifetime of the furniture.

Content

- 3 Integrated BLUMOTION
- 5 Silent and effortless closing action
- 7 BLUMOTION deactivation
- 9 New hinge pivoting point
- 11 Elegant design
- 12 Other advantages
- 14 Case studies
- 16 Assembly devices for CLIP top BLUMOTION
- 18 Ordering and planning information
- 50 Assembly and adjustment
- 52 The Blum brand



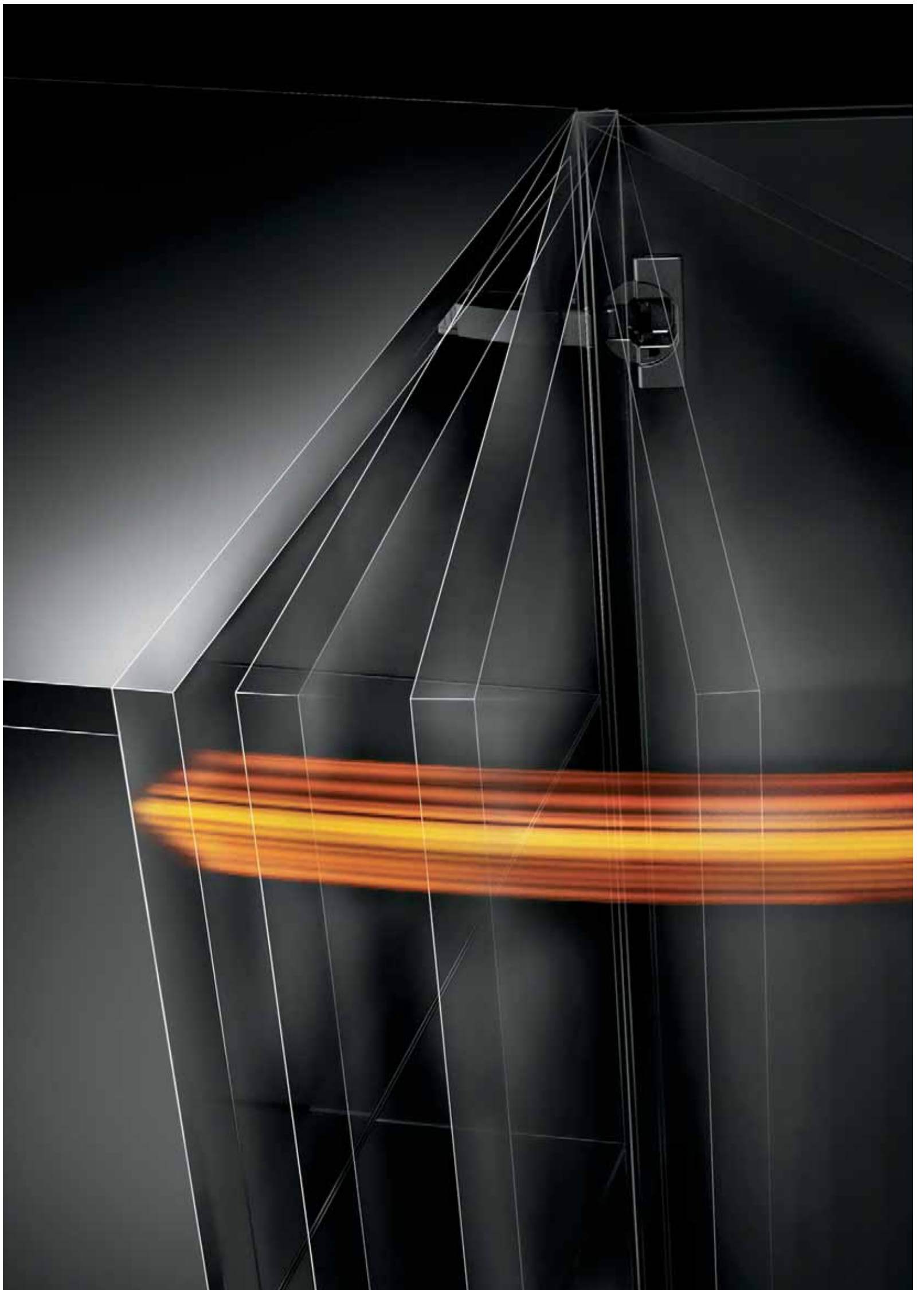
Innovative technology concentrated into the smallest space

BLUMOTION integrated

into the hinge boss

Precise movement like clockwork – the integrated BLUMOTION is a technical masterpiece that fits into the smallest space providing silent and effortless closing action for furniture doors.

CLIP top BLUMOTION is designed to open and close 200,000 times: for fascinating quality of motion – for the lifetime of the furniture.



BLUMOTION for silent and effortless closing action

Inspiring perfect motion

for **every** door

Silent and effortless, that's how furniture doors close with BLUMOTION – regardless of the front weight or closing speed.

Due to the ideal relationship between the closing mechanism and BLUMOTION, a gentle push is all that's required for closing – even for small and light doors.





Silent and effortless closing action also for small doors

BLUMOTION deactivation option

For high quality of motion for small or light doors, the BLUMOTION function on one of the two hinges, can be easily deactivated.

Simply slide the switch on the hinge boss, then close the door once. Deactivation is now complete.



Space for new opportunities

New hinge pivoting point for **thicker** doors

With the new 110° hinge, you can now implement thicker doors up to 24 mm – depending on the application. The new pivoting point ensures that during the opening process, the door does not foul on the cabinet face.

As a consequence of this ingenious new geometry, it is possible to achieve a smaller door gap. Thicker doors can also be accommodated.





Elegant design for a high-quality look

Fascinating technology in a stylish body

Despite the sophisticated technology in the hinge boss, CLIP top BLUMOTION is no different in size and visible proportions from other CLIP top hinges.

And the elegant product design also highlights the high-quality character and look of CLIP top BLUMOTION.

Additional advantages of CLIP top BLUMOTION

Assembly

made easy



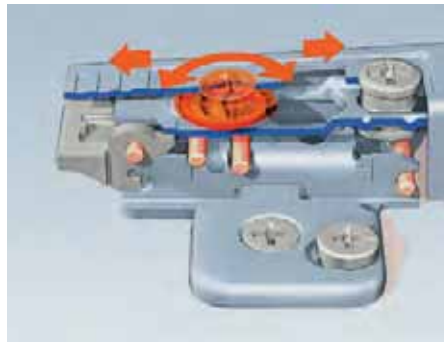
CLIP top BLUMOTION is extremely user friendly.
This provides many advantages for assembly and adjustment.



CLIP

The tried and tested CLIP mechanism stands for simple, tool-free hinge assembly.

- You can continue to use existing mounting plates.
- The drilling pattern for the hinge boss remains unchanged for CLIP top BLUMOTION, a 13 mm drilling depth is sufficient.
- The new INSERTA mechanism enables tool-free fixing of the hinge to the door.



CLIP top

Tops when it comes to adjustment: Like other CLIP top hinges, CLIP top BLUMOTION enables easy, 3-dimensional adjustment via an infinitely variable spiral screw depth adjustment and a cam height adjustment for different mounting plates.



CLIP top BLUMOTION

Because the BLUMOTION function is now integrated into the hinge, additional assembly processes are no longer necessary after adjustment is complete.

CLIP top BLUMOTION for more options



More choices when it comes to door thickness, by virtue of the new pivot points

Technology for different areas of application



For perfect motion for small doors, BLUMOTION only has to be activated on one hinge.



Gaining storage space: With the optimised 155° zero protrusion hinge.



Whether it's wood, wide or narrow alu frames – you have many options when it comes to materials.



CLIP top BLUMOTION can be used with almost any application, e.g. with an angled door.

Everything for that familiar, precise assembly

Updates to your existing assembly devices



All assembly devices and templates are available at www.blum.com.

Our machines and templates make CLIP top BLUMOTION assembly easy.
 You can continue to use existing assembly devices from Blum. There are either no or only minimal adjustments required.

New machines & templates now contain all new settings and additional parts.

The following gives you an overview of which drilling and insertion machines as well as template settings need to be changed and whether or not additional parts are required.

Overview of new items

	Drilling depth stop	Set drilling depth	Insertion ram	Drill bit (Ø 35/Ø 8) without tip	Other
	required	required	Required if hinges are inserted	Required for material thicknesses < 16 mm	
Drilling and insertion machines					
PRO-CENTER/MINIPRESS PRO	MZK.2005¹⁾	at 13 mm	MZM.0040	M01.ZB35.OS M01.ZB08.OS	
MINIPRESS P/MINIPRESS M	M30.1304.01 M52.0909	at 13 mm	MZM.0040	M01.ZB35.OS M01.ZB08.OS	
Additional drilling head (MZK.9900)	MZK.9905				
Templates and assembly devices					
ECODRILL		at 13 mm			M31.1041.UM²⁾
Assembly devices					
Universal hand insertion tool for hinges					ZME.0710

¹⁾ Only in combination with drilling head MZK.2000 ²⁾ Only for INSERTA boss fixing



Do not use a hammer to insert the hinge into the drill hole.
 CLIP top BLUMOTION hinges should be operated in a temperature range of 18 °C and 28 °C to ensure optimal functionality.



CLIP top BLUMOTION 110° hinge

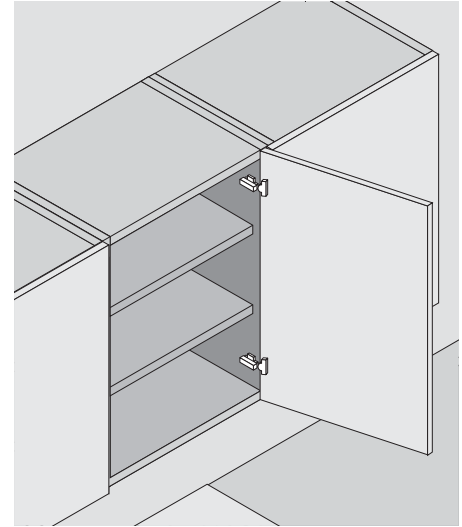
Product



Description

- All metal hinge, nickel plated
- 110° opening angle
- With integrated **BLUMOTION**
- With **BLUMOTION** deactivation facility
- with convenient spiral-tech depth adjustment
- Compatible with existing mounting plates
- With closing mechanism (spring)
- Tool-free door to cabinet assembly and removal
- 3-dimensional adjustment (with relevant mounting plate)
- With **INSERTA** tool-free boss assembly

Application



Order specification

Overlay application		Dual application		Inset application	
	Boss INSERTA		Boss INSERTA		Boss INSERTA
Steel boss with spring	Part No. 71B3590	Steel boss with spring	Part No. 71B3690	Steel boss with spring	Part No. 71B3790
	Boss Screw-on		Boss Screw-on		Boss Screw-on
Steel boss with spring	71B3550	Steel boss with spring	71B3650	Steel boss with spring	71B3750
	Boss Knock-in		Boss Knock-in		Boss Knock-in
Steel boss with spring	40 MZM.0040	Steel boss with spring	40 MZM.0040	Steel boss with spring	40 MZM.0040
Steel boss with spring	71B3580	Steel boss with spring	71B3680	Steel boss with spring	71B3780
Cover caps		Boss cover cap for screw-on/knock-in boss		Opening angle stop 86°	
Steel	Nickel plated	Steel	Nickel plated	Nylon	
Plain	70.1503		70T3504		70T3553
Stamped	Blum 70.1503.BP				

CLIP top 155° zero protrusion hinge

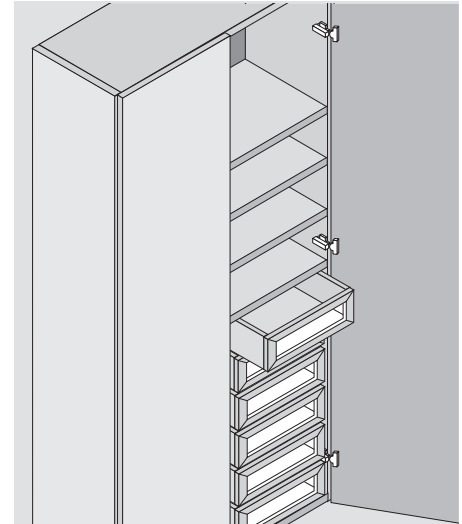
Product



Description

- All metal hinge, nickel plated
- 155° opening angle
- For cabinets with inner drawers or pull-outs
- with convenient spiral-tech depth adjustment
- Compatible with existing mounting plates
- With or without closing mechanism (spring)
- Tool-free door to cabinet assembly and removal
- 3-dimensional adjustment (with relevant mounting plate)
- With **INSERTA** tool-free boss assembly

Application



Order specification

Overlay application 0-protrusion hinge			
	Boss INSERTA		Part No.
Zinc boss with spring			71T7540N
Zinc boss unsprung			70T7540NTL

Dual application			
	Boss INSERTA		Part No.
Zinc boss with spring			71T7640N

Inset application			
Use hinges for a dual application and a 9 mm spaced mounting plate			

Screw-on			
	Boss Screw-on		
Zinc boss with spring			71T7500N
Zinc boss unsprung			70T7500NTL

Screw-on			
	Boss Screw-on		
Zinc boss with spring			71T7600N

Knock-in				
	Boss Knock-in		40	MZM.0040
Zinc boss with spring				71T7530N

BLUMOTION 973A			
			973A7000

BLUMOTION 973A			
			973A7000

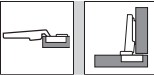
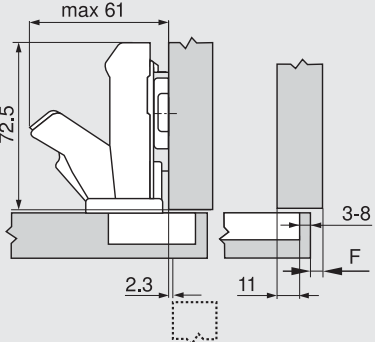
Opening angle stop 110°			
Nylon			70T7503N

Planning

Hinge dimensions and gap calculation based on factory setting (mounting plate spacing = 0 mm or 9 mm)

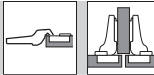
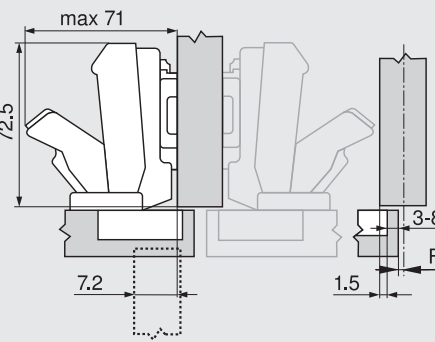
Door protrusion for 90° opening angle

Overlay application
0-protrusion hinge

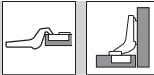
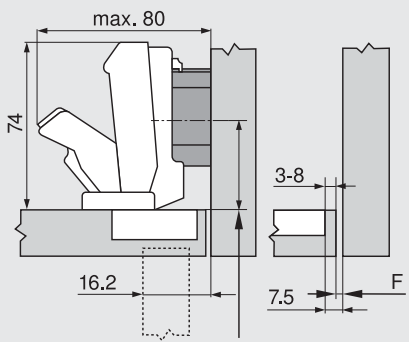
max 61
72.5
2.3
11
3-8
F

Dual application

max 71
72.5
7.2
1.5
3-8
F

Inset application

max. 80
74
16.2
3-8
7.5
F

F Gap

Set mounting plate fixing position back by door thickness + 1.5 mm

Drilling distance

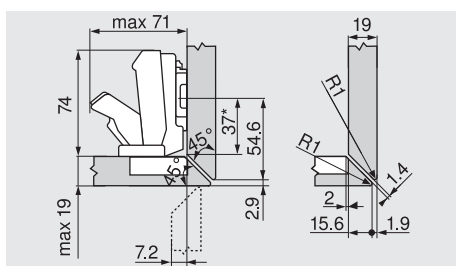
	Front overlay															
	5	6	7	8	9	10	11	12	13	14	15	16	17	18	19	
0											3	4	5	6	7	8
3							3	4	5	6	7	8				
6				3	4	5	6	7	8							
9	3	4	5	6	7	8										
↙ Mounting plate																

	Front overlay															
	-4.5	-1.5	-0.5	0.5	1.5	2.5	3.5	4.5	5.5	6.5	7.5	8.5	9.5			
0																
3						3	4	5	6	7	8					
6							3	4	5	6	7	8				
9								3	6	7	8					
↙ Mounting plate																

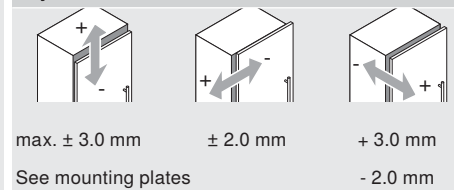
	Front overlay					
	-4.5	-3.5	-2.5	-1.5	-0.5	
0						
3						
6						
9						
↙ Mounting plate		3	4	5	6	7

Mitred application

Mounting plate 0 mm
Hinge for dual applications
Surrounding mitred applications for 19 mm door thickness
* 37 mm for mounting plate with dimension A=37 mm



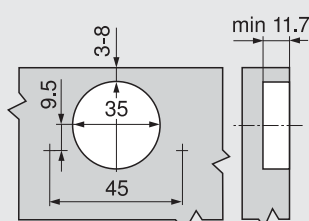
Adjustments



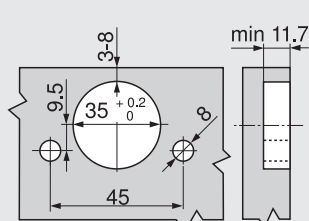
Minimum gap for doors with radiuses edges (R = 1 mm) based on factory setting

For doors up to 24 mm thick no gap is required.
We recommend a trial application for door thicknesses more than 24 mm or an application adjacent to the wall.

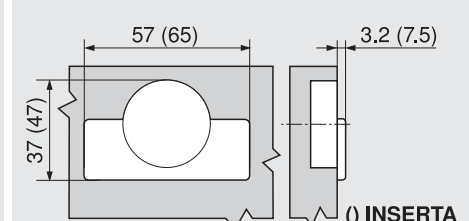
Screw-on



INSERTA / knock-in assembly



Hinge boss dimensions



CLIP top BLUMOTION Profile door hinge

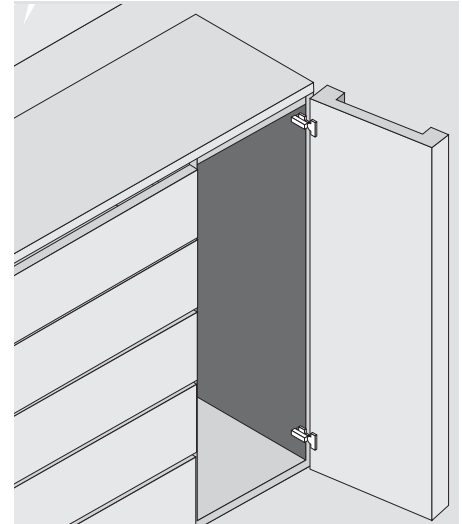
Product






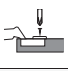
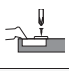
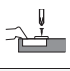
Description


- All metal hinge, nickel plated
- Hinge for thick doors and doors with profile
- 95° opening angle
- With integrated **BLUMOTION**
- With **BLUMOTION** deactivation facility
- with convenient spiral-tech depth adjustment
- Compatible with existing mounting plates
- With closing mechanism (spring)
- Tool-free door to cabinet assembly and removal
- 3-dimensional adjustment (with relevant mounting plate)
- With **INSERTA** tool-free boss assembly

Application



Order specification

Overlay application		Dual application		Inset application	
	Boss INSERTA		Boss INSERTA		Boss INSERTA
Steel boss with spring	Part No. 71B9590	Steel boss with spring	Part No. 71B9690	Steel boss with spring	Part No. 71B9790
	Boss Screw-on		Boss Screw-on		Boss Screw-on
Steel boss with spring	Part No. 71B9550	Steel boss with spring	Part No. 71B9650	Steel boss with spring	Part No. 71B9750

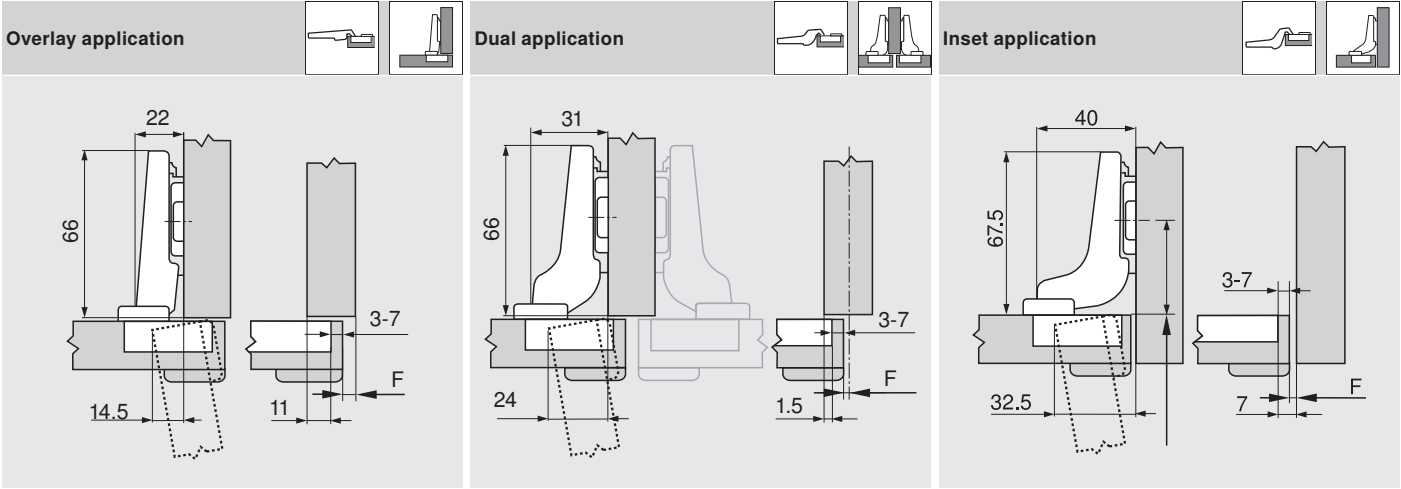
Cover caps		
	Steel	Nickel plated
Plain		70.1563
Screen print	Blum	70.1563.BL

Boss cover cap for screw-on/knock-in boss		
	Steel	Nickel plated
		70T3504

Planning

Hinge dimensions and gap calculation based on factory setting (mounting plate spacing = 0 mm)

Hinge and door protrusion at full opening angle



F Gap

Set mounting plate fixing position back by door thickness + 1.5 mm

Drilling distance

	Front overlay																		
	5	7	8	9	10	11	12	13	14	15	16	17	18						
0															3	4	5	6	7
3															3	4	5	6	7
6																			
9																			

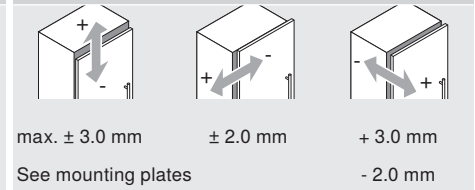
	Front overlay																		
	-4.5	-2.5	-1.5	-0.5	0.5	1.5	2.5	3.5	4.5	5.5	6.5	7.5	8.5						
0																			
3																			
6																			
9																			

	Front overlay					
	-4	-3	-2	-1	0	
0						
3						
6						
9						

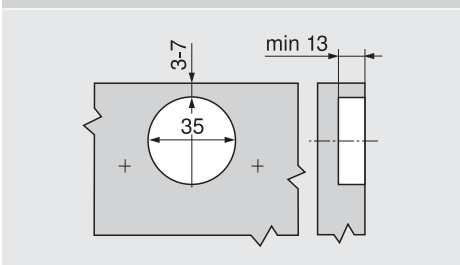
Minimum gap for doors with radiuses edges (R = 1 mm) based on factory setting

Door thickness	Door thickness											
	16	18	19	20	22	24	26	28	29	30	31	32
3	0.2	0.3	0.4	0.5	0.8	1	1.5	1.9	2.8	3.6	4.5	5.4
4	0.2	0.3	0.4	0.5	0.7	1	1.4	1.8	2.5	3.1	4.0	4.8
5	0.2	0.3	0.4	0.5	0.7	1	1.4	1.8	2.3	2.7	3.5	4.3
6	0.2	0.3	0.4	0.5	0.7	1	1.4	1.8	2.2	2.5	3.2	3.8
7	0.2	0.3	0.4	0.5	0.7	0.9	1.4	1.7	2.1	2.4	3.0	3.5
Additional for + 2 mm side adjustment												
	+0.1	+0.2	+0.2	+0.2	+0.3	+0.4	+0.4	+0.5	+0.4	+0.4	+0.4	+0.3

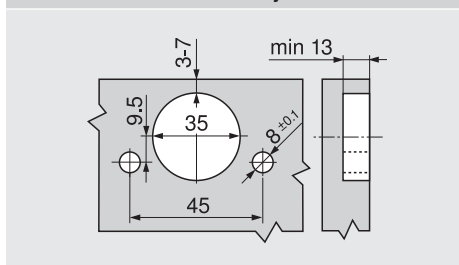
Adjustments



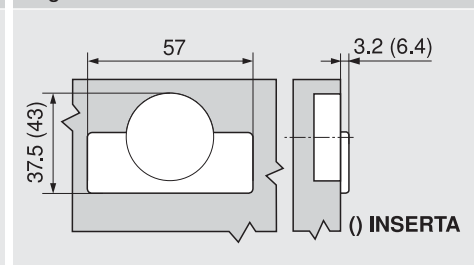
Screw-on



INSERTA / knock-in assembly



Hinge boss dimensions



CLIP top BLUMOTION Aluminium frame door hinge

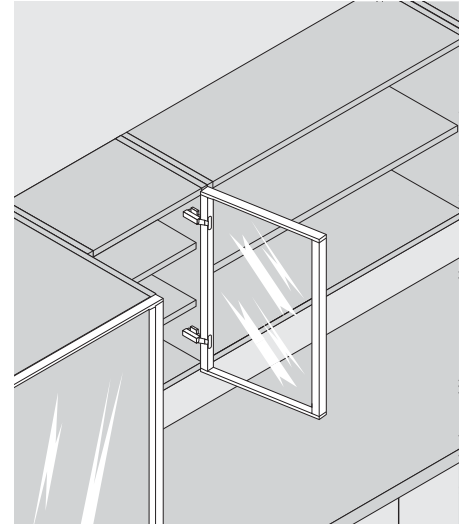
Product



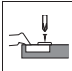
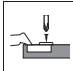
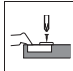
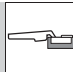
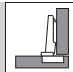
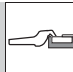
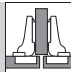
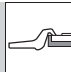
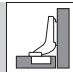
Description


- All metal hinge, nickel plated
- Hinge for narrow alu frame doors
- 95° opening angle
- With integrated **BLUMOTION**
- With **BLUMOTION** deactivation facility
- with convenient spiral-tech depth adjustment
- Compatible with existing mounting plates
- With closing mechanism (spring)
- Tool-free door to cabinet assembly and removal
- 3-dimensional adjustment (with relevant mounting plate)
- Boss fixing screws are included

Application



Order specification

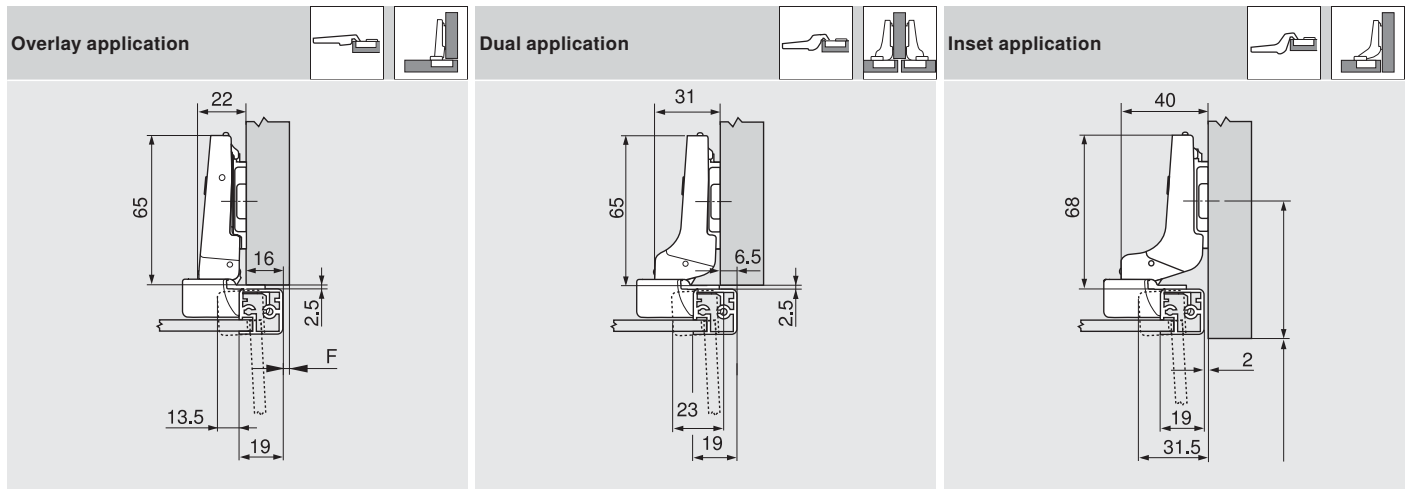
Overlay application	Dual application	Inset application
 Boss Screw-on	 Boss Screw-on	 Boss Screw-on
 	 	 
Zinc boss with spring	Zinc boss with spring	Zinc boss with spring
Part No. 71B950A	Part No. 71B960A	Part No. 71B970A

Cover caps		
	Steel	Nickel plated
Plain		70.1563
Screen print	Blum	70.1563.BL

Planning

Hinge dimensions and gap calculation based on factory setting (mounting plate spacing = 0 mm)

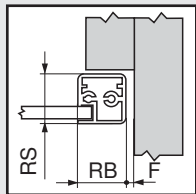
Hinge and door protrusion at full opening angle



F Gap

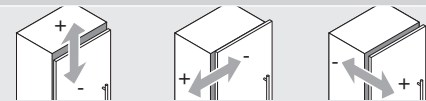
Set mounting plate fixing position back by door thickness + 2.5 mm

Minimum gap for doors with radiuses edges (R = 1 mm) based on factory setting



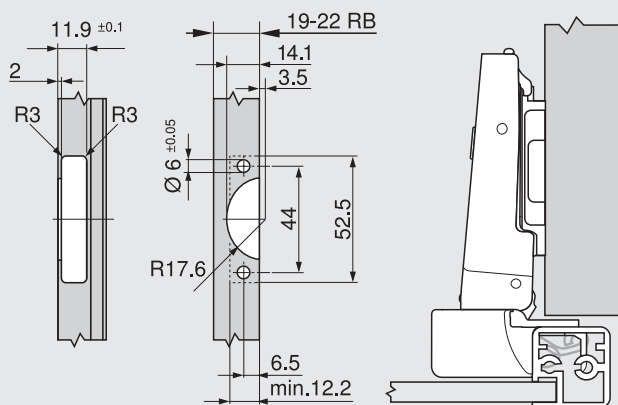
RB Frame width	RS Frame thickness										Additional for + 2 mm side adjustment
	18	19	20	21	22	24	26	28	30	32	
18	0.2	0.3	0.4	0.6	0.7	1.2	A trial application is recommended				
19	0.2	0.3	0.4	0.6	0.7	1.2					
20	0.2	0.3	0.4	0.5	0.7	1.1					
21	0.2	0.3	0.4	0.5	0.7	1.0					
22	0.2	0.3	0.4	0.5	0.7	1.1					
	+0.1	+0.1	+0.2	+0.2	+0.3	+0.3					

Adjustments



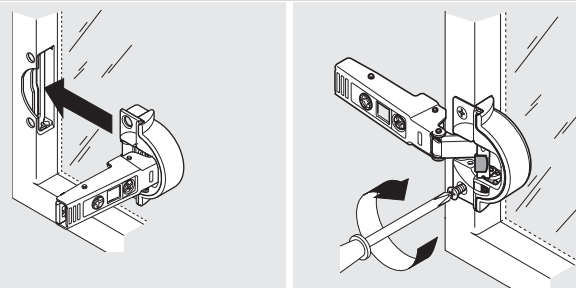
max. ± 3.0 mm ± 2.0 mm + 3.0 mm
See mounting plates - 2.0 mm

Screw-on



RB Frame width

Assembly



CLIP top BLUMOTION

Blind corner hinge inset application

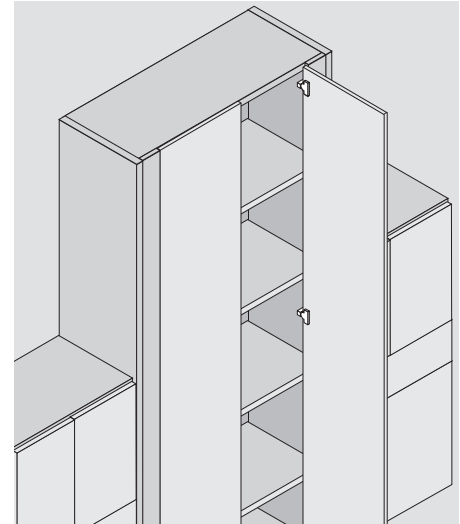
Product





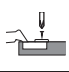
Description


- All metal hinge, nickel plated
- Hinge for blind corner applications
- 95° opening angle
- With integrated **BLUMOTION**
- With **BLUMOTION** deactivation facility
- with convenient spiral-tech depth adjustment
- Compatible with existing mounting plates
- With closing mechanism (spring)
- Tool-free door to cabinet assembly and removal
- 3-dimensional adjustment (with relevant mounting plate)
- With **INSERTA** tool-free boss assembly

Application



Order specification

Inset		
	Boss INSERTA	Part No.
Steel boss with spring		79B9590
	Boss Screw-on	
Steel boss with spring		79B9550

Cover caps		
	Steel	Nickel plated
Plain		70.1503
Stamped	Blum	70.1503.BP

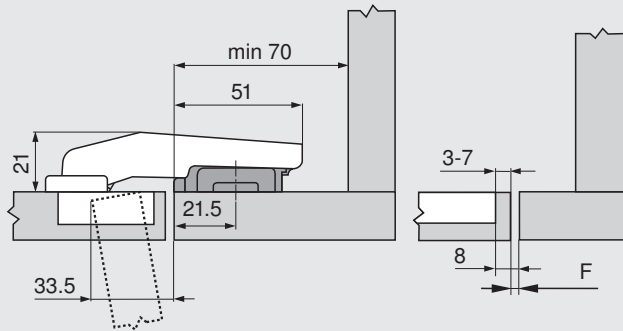
Boss cover cap for screw-on/knock-in boss		
	Steel	Nickel plated
		70T3504

Planning

Hinge dimensions and gap calculation based on factory setting (mounting plate spacing = 3 mm)

Hinge and door protrusion at full opening angle

Inset



Move standard mounting plate fixing positions 15.5 mm nearer the edge of the blind corner (i.e. set back by 21.5 mm).

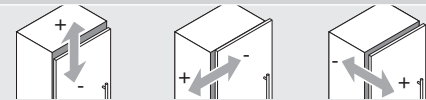
Use 3 mm spaced standard mounting plates only to ensure door and blind corner are flush on the inside.

F Gap

Minimum gap for doors with radiuses edges (R = 1 mm) based on factory setting

Drilling distance	Door thickness											
	16	18	19	20	22	24	26	28	29	30	31	32
3	0.2	0.3	0.4	0.5	0.8	1	1.5	1.9	A trial application is recommended			
4	0.2	0.3	0.4	0.5	0.7	1	1.4	1.8				
5	0.2	0.3	0.4	0.5	0.7	1	1.4	1.8				
6	0.2	0.3	0.4	0.5	0.7	1	1.4	1.8				
7	0.2	0.3	0.4	0.5	0.7	0.9	1.4	1.7				

Adjustments



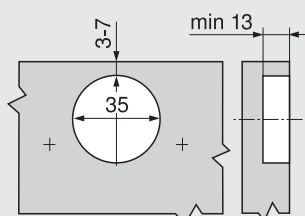
max. ± 3.0 mm

± 2.5 mm

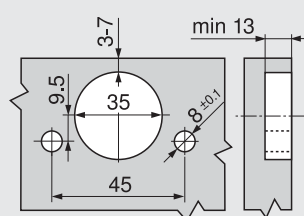
± 1.0 mm

See mounting plates

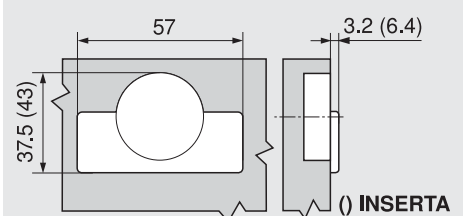
Screw-on



INSERTA / knock-in assembly



Hinge boss dimensions



CLIP top BLUMOTION +45° I – angled hinge half overlay

Product



Description

- All metal hinge, nickel plated
- 45° I angled hinge
- For corner cabinets with set back fronts
- 95° opening angle
- With integrated **BLUMOTION**
- With **BLUMOTION** deactivation facility
- with convenient spiral-tech depth adjustment
- Compatible with existing mounting plates
- With closing mechanism (spring)
- Tool-free door to cabinet assembly and removal
- 3-dimensional adjustment (with relevant mounting plate)
- With **INSERTA** tool-free boss assembly

Application

	40°	45°	50°
	N° 23	N° 24	N° 25
	33	35	33
	-	N° 53	N° 54
	-	33	33
	N° 8	N° 9	N° 10
	37	35	35
	N° 43	N° 44	N° 45
	37	37	37
	-	N° 60	N° 61
	-	33	33

Order specification

	Boss INSERTA	Part No.
Steel boss with spring		79B9698

	Boss cover cap for screw-on boss	
Steel	Nickel plated	70T3504

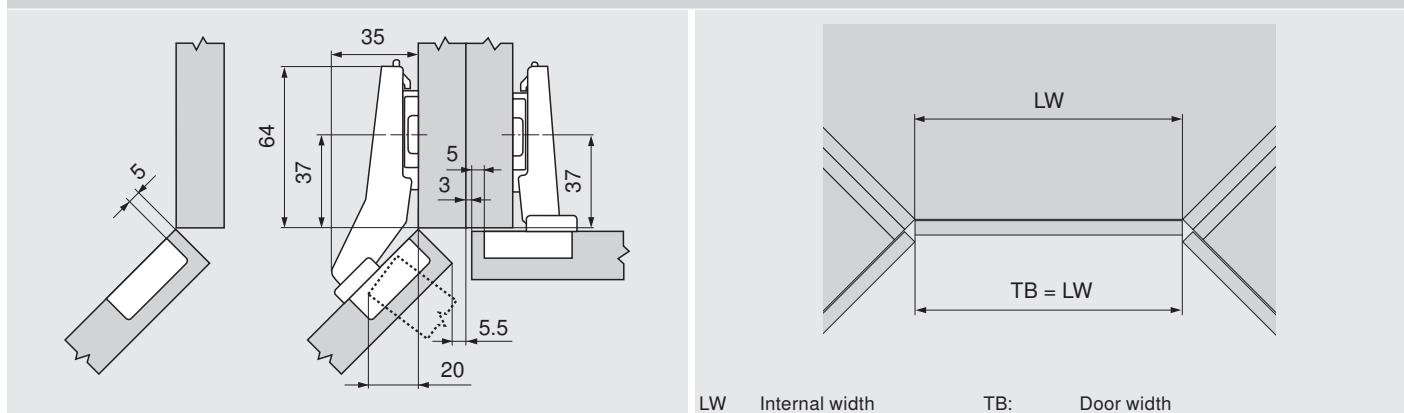
	Boss Screw-on	Part No.
Steel boss with spring		79B9658

Planning

Important:

These dimensions are based on a 19 mm door and cabinet side thickness. Dimensions would need to be altered if either thickness varied from 19 mm. A trial application is recommended. Some applications require the mounting plate to be moved from the standard fixing positions.

Corner cabinet

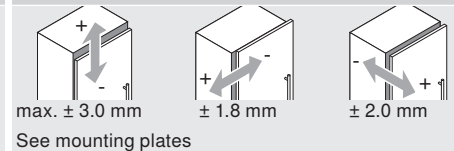


Planning

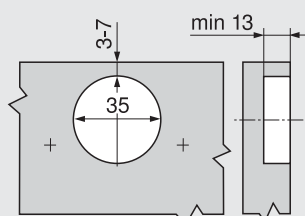
N° 23 40°		N° 53 45°		N° 60 45°	
	Part No.		Part No.		Part No.
Angled spacer	-5°	171A5500	Mounting plate	0 mm	173H7100
Mounting plate	9 mm	175H7190			

N° 25 50°		N° 54 50°		N° 61 50°	
	Part No.		Part No.		Part No.
Angled spacer	+5°	171A5070	Angled spacer	+5°	171A5010
Mounting plate	9 mm	175H7190	Mounting plate	0 mm	173H7100

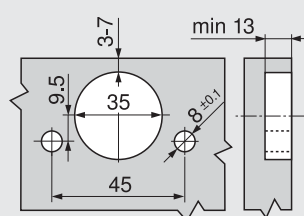
Adjustments



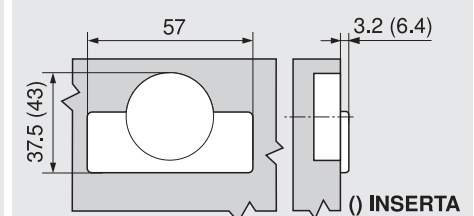
Screw-on



INSERTA / knock-in assembly



Hinge boss dimensions



CLIP top BLUMOTION +45° II – angled hinge overlay

Product



Description

- All metal hinge, nickel plated
- +45° II angled hinge
- 110° opening angle
- For corner cabinets with flush fronts
- With integrated **BLUMOTION**
- With **BLUMOTION** deactivation facility
- with convenient spiral-tech depth adjustment
- Compatible with existing mounting plates
- With closing mechanism (spring)
- Tool-free door to cabinet assembly and removal
- 3-dimensional adjustment (with relevant mounting plate)
- With **INSERTA** tool-free boss assembly

Application

	40°	45°	50°
	Nº 23	Nº 24	Nº 25
	33	35	33
	-	Nº 53	Nº 54
	-	33	33
	Nº 8	Nº 9	Nº 10
	37	35	35
	Nº 43	Nº 44	Nº 45
	37	37	37
	-	Nº 60	Nº 61
	-	33	33

Order specification

	Boss	Part No.
	INSERTA	
Steel boss with spring		79B3598

	Boss cover cap for screw-on boss	
Steel	Nickel plated	70T3504

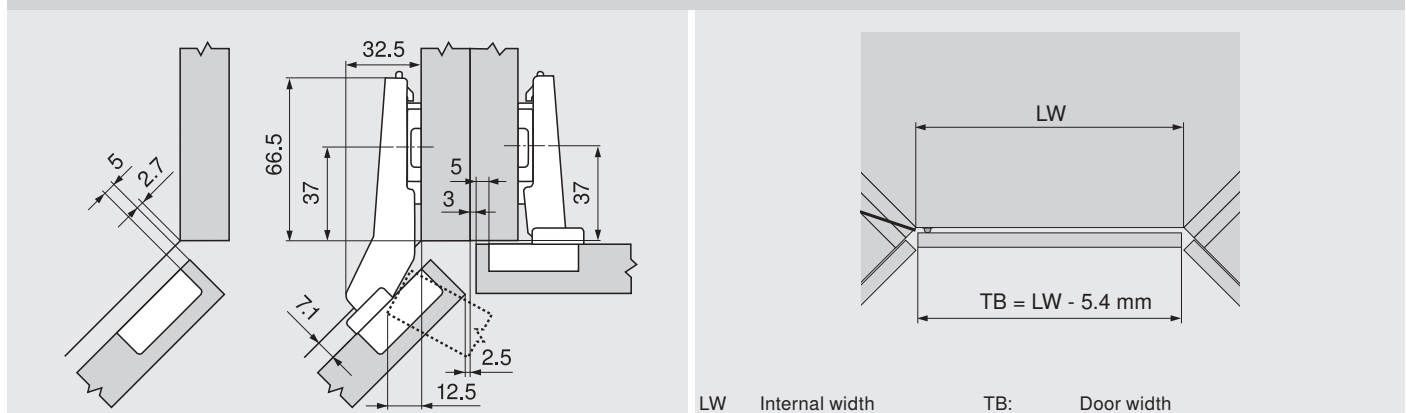
	Boss	
	Screw-on	
Steel boss with spring		79B3558

Planning

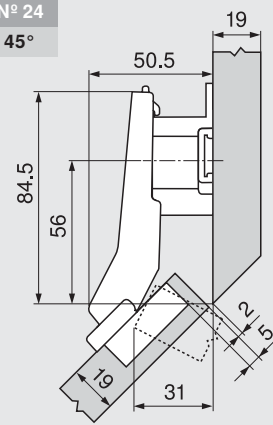
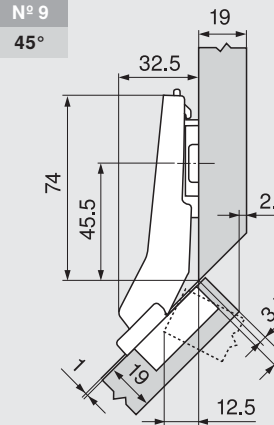
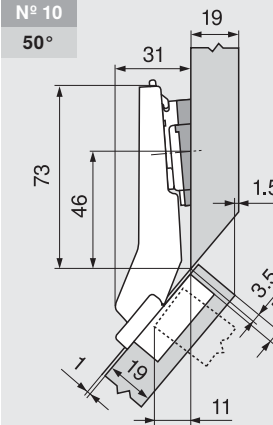
Important:

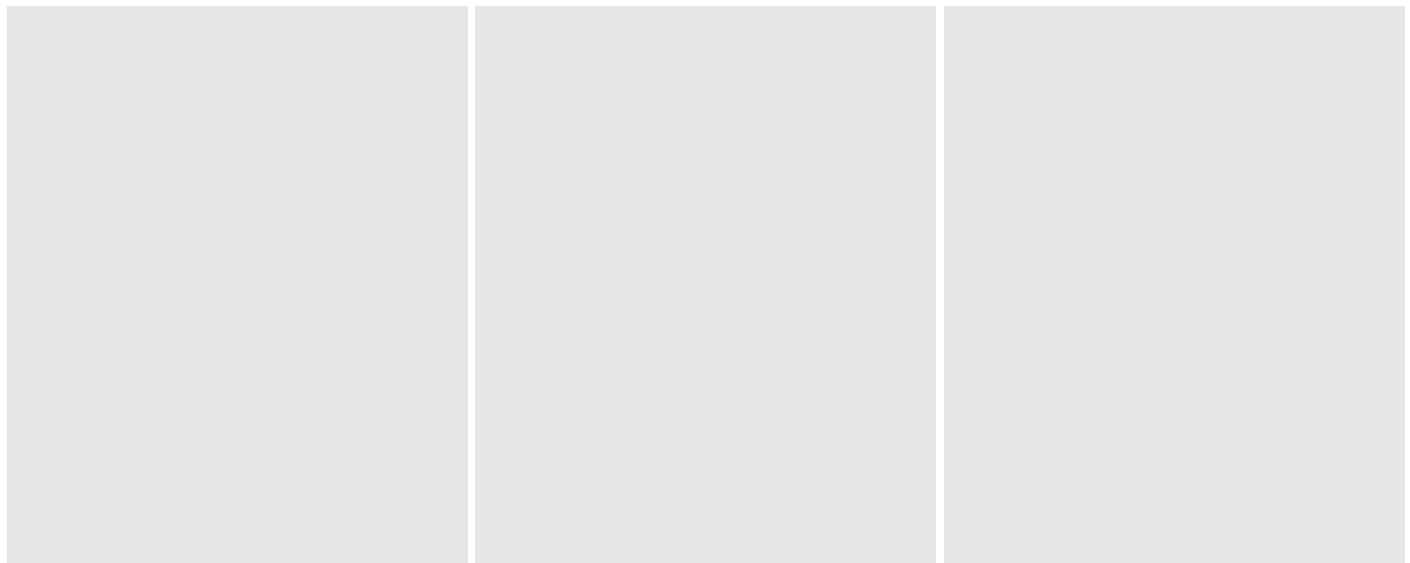
These dimensions are based on a 19 mm door and cabinet side thickness. Dimensions would need to be altered if either thickness varied from 19 mm. A trial application is recommended. Some applications require the mounting plate to be moved from the standard fixing positions.

Corner cabinet

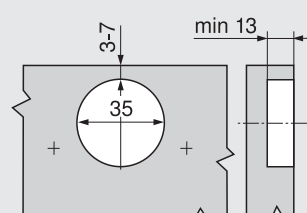
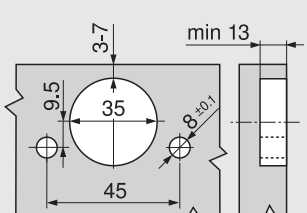
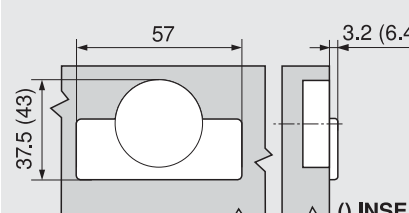


Planning

N° 24 45° 		N° 9 45° 		N° 10 50° 	
Part No.		Part No.		Part No.	
Mounting plate	18 mm	175H7190.22	Mounting plate	0 mm	173H7100
			Angled spacer	+5°	171A5010
			Mounting plate	0 mm	173H7100



Adjustments		
max. ± 3.0 mm	± 1.8 mm	± 2.0 mm
See mounting plates		

Screw-on	INSERTA assembly	Hinge boss dimensions
		
		() INSERTA

CLIP top BLUMOTION +45° III – angled hinge full overlay

Product



Description

- All metal hinge, nickel plated
- +45° III angled hinge
- 95° opening angle
- With integrated **BLUMOTION**
- With **BLUMOTION** deactivation facility
- with convenient spiral-tech depth adjustment
- Compatible with existing mounting plates
- With closing mechanism (spring)
- Tool-free door to cabinet assembly and removal
- 3-dimensional adjustment (with relevant mounting plate)
- With **INSERTA** tool-free boss assembly

Application

	40°	45°	50°
	N° 23 33	N° 24 35	N° 25 33
	-	N° 53 33	N° 54 33
	N° 8 37	N° 9 35	N° 10 35
	N° 43 37	N° 44 37	N° 45 37
	-	N° 60 33	N° 61 33

Order specification

	Boss INSERTA	Part No.
Steel boss with spring		79B9498

	Boss cover cap for screw-on boss	
Steel	Nickel plated	70T3504

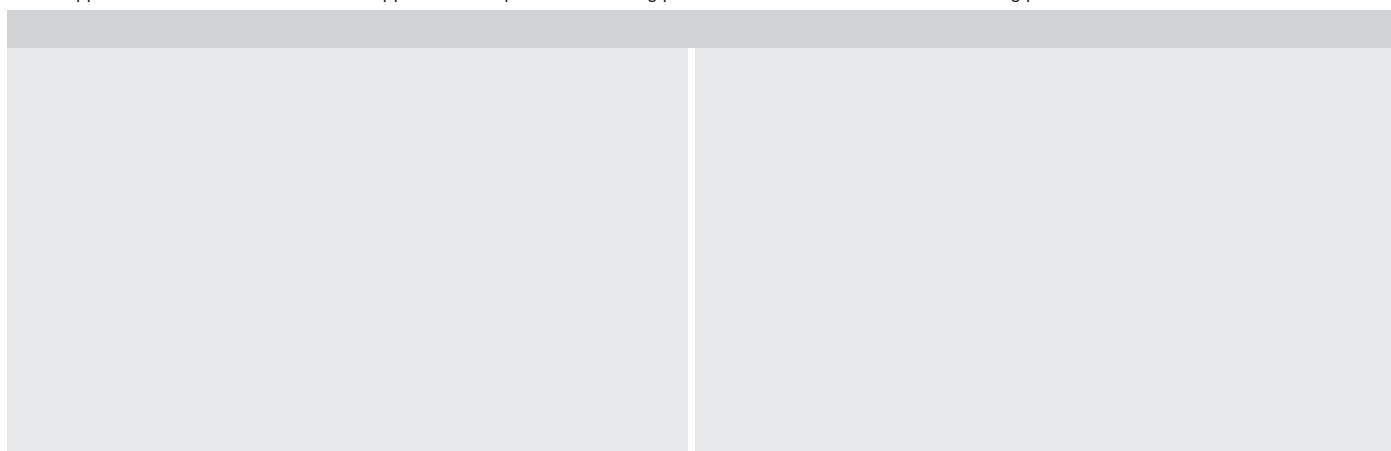
	Boss Screw-on	Part No.
Steel boss with spring		79B9458

Planning

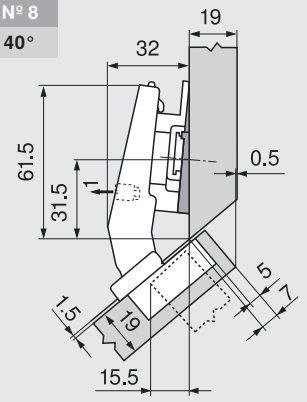
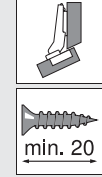
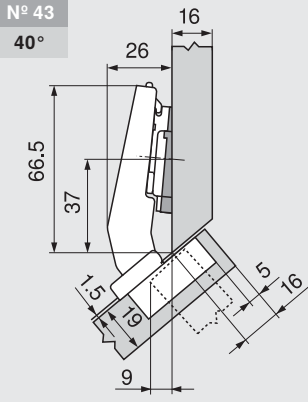
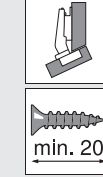
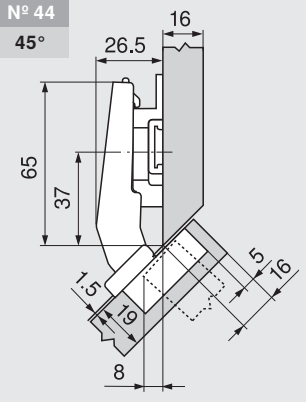
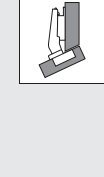
Important:

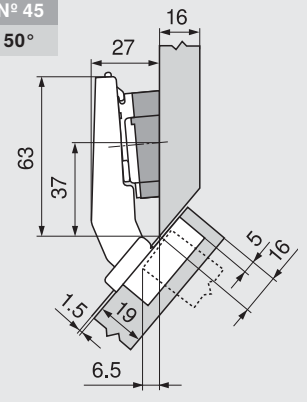
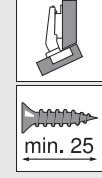
These dimensions are based on a 19 mm door and cabinet side thickness. Dimensions would need to be altered if either thickness varied from 19 mm.

A trial application is recommended. Some applications require the mounting plate to be moved from the standard fixing positions.

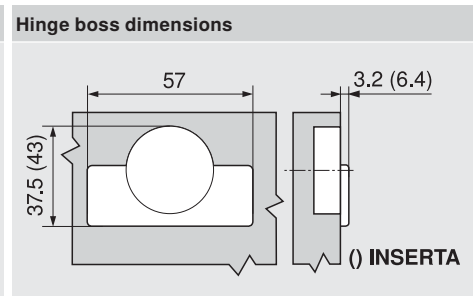
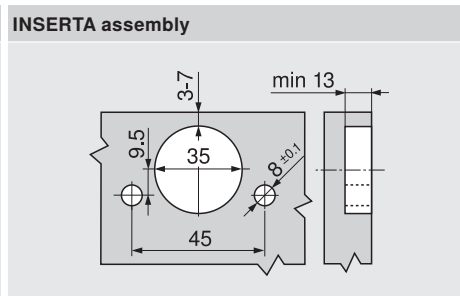
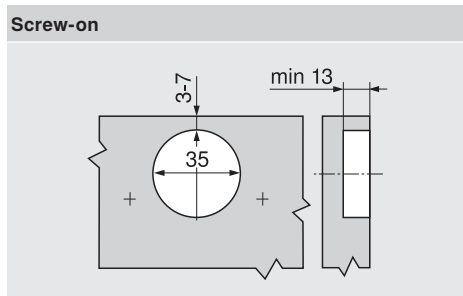
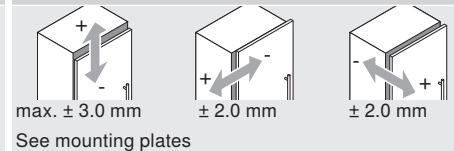


Planning

N° 8 40°  		N° 43 40°  		N° 44 45°  	
Part No.		Part No.		Part No.	
Angled spacer	-5°	171A5500	Angled spacer	-5°	171A5500
Mounting plate	6 mm	175H9160	Mounting plate	0 mm	173H7100
			Mounting plate	6 mm	175H9160

N° 45 50°  		Part No.	
Angled spacer	+5°	171A5070	
Mounting plate	0 mm	173H7100	

Adjustments



CLIP top BLUMOTION +30° II – angled hinge overlay

Product



Description

- All metal hinge, nickel plated
- + 30° II angled hinge
- 95° opening angle
- With integrated **BLUMOTION**
- With **BLUMOTION** deactivation facility
- with convenient spiral-tech depth adjustment
- Compatible with existing mounting plates
- With closing mechanism (spring)
- Tool-free door to cabinet assembly and removal
- 3-dimensional adjustment (with relevant mounting plate)
- With **INSERTA** tool-free boss assembly

Application

	25°	30°	35°
	N° 20	N° 21	N° 22
	38	39	39
	N° 50	N° 51	N° 52
	38	39	39
	N° 5	N° 6	N° 7
	43	39	39
	N° 40	N° 41	N° 42
	41	41	41
	N° 57	N° 58	N° 59
	38	39	39

Order specification

	Boss	Part No.
	INSERTA	
Steel boss with spring		79B9596

	Boss cover cap for screw-on boss	
Steel	Nickel plated	70T3504

	Boss	Part No.
	Screw-on	
Steel boss with spring		79B9556

Planning

Important:

These dimensions are based on a 19 mm door and cabinet side thickness. Dimensions would need to be altered if either thickness varied from 19 mm.

A trial application is recommended. Some applications require the mounting plate to be moved from the standard fixing positions.

N° 20 25°		N° 50 25°		N° 57 25°	
Angled spacer	-5°	Angled spacer	-5°	Angled spacer	-5°
Mounting plate	9 mm	Mounting plate	0 mm	Mounting plate	0 mm
	171A5500		171A5500		171A5500
	175H7190		173H7100		173H7100

Planning

<p>N° 21 30°</p>	<p>N° 51 30°</p>	<p>N° 6 30°</p>
<p>Part No. Mounting plate 18 mm</p>	<p>Part No. Mounting plate 9 mm</p>	<p>Part No. Mounting plate 0 mm</p>
<p>175H7190.22</p>	<p>175H7190</p>	<p>173H7100</p>
<p>N° 58 30°</p>	<p>N° 22 35°</p>	<p>N° 52 35°</p>
<p>Part No. Mounting plate 3 mm</p>	<p>Part No. Angled spacer +5° Mounting plate 18 mm</p>	<p>Part No. Angled spacer +5° Mounting plate 0 mm</p>
<p>173H7130</p>	<p>171A5010 175H7190.22</p>	<p>171A5070 173H7100</p>
<p>N° 7 35°</p>	<p>N° 59 35°</p>	<p>Adjustments</p> <p>max. ± 3.0 mm ± 1.8 mm ± 2.0 mm</p> <p>See mounting plates</p>
<p>Part No. Angled spacer +5° Mounting plate 0 mm</p>	<p>Part No. Angled spacer +5° Mounting plate 0 mm</p>	<p>Part No. Angled spacer +5° Mounting plate 0 mm</p>
<p>171A5010 173H7100</p>	<p>171A5040 173H7100</p>	<p>171A5010 173H7100</p>

CLIP top BLUMOTION +30° III – angled hinge full overlay

Product



Description

- All metal hinge, nickel plated
- +30° III angled hinge
- 95° opening angle
- With integrated **BLUMOTION**
- With **BLUMOTION** deactivation facility
- with convenient spiral-tech depth adjustment
- Compatible with existing mounting plates
- With closing mechanism (spring)
- Tool-free door to cabinet assembly and removal
- 3-dimensional adjustment (with relevant mounting plate)
- With **INSERTA** tool-free boss assembly

Application

	25°	30°	35°
	N° 20 38	N° 21 39	N° 22 39
	N° 50 38	N° 51 39	N° 52 39
	N° 5 43	N° 6 39	N° 7 39
	N° 40 41	N° 41 41	N° 42 41
	N° 57 38	N° 58 39	N° 59 39

Order specification

	Boss INSERTA	Part No.
Steel boss with spring		79B9496

	Boss Screw-on	Part No.
Steel boss with spring		79B9456

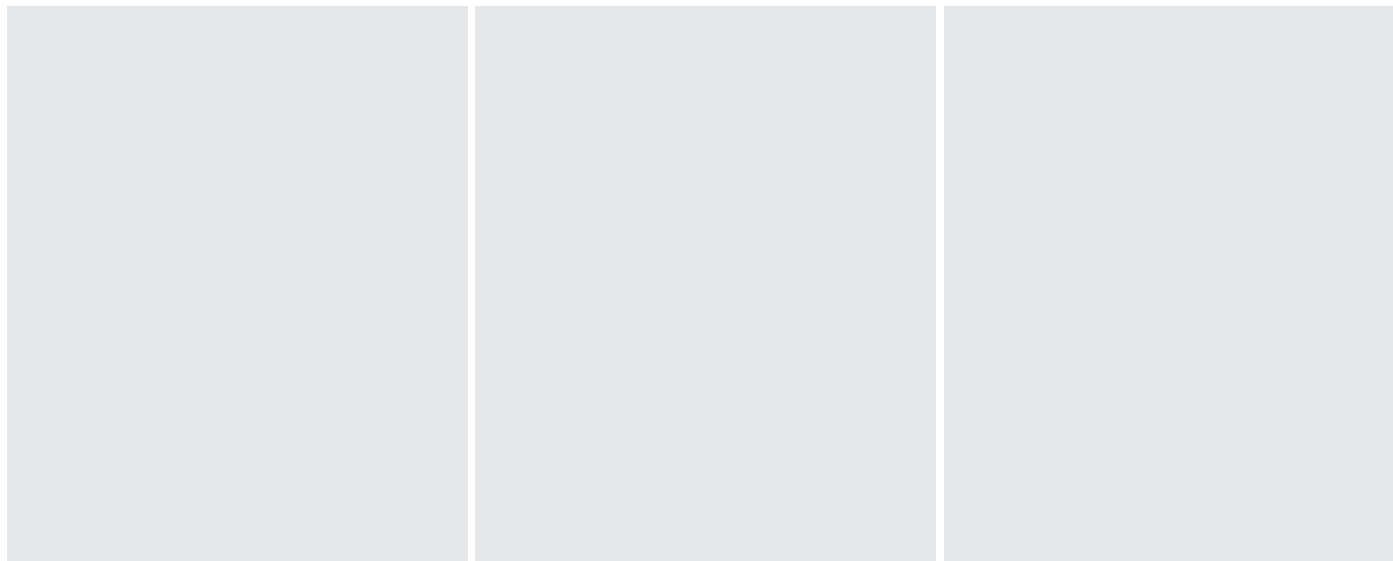
	Boss cover cap for screw-on boss	Part No.
Steel	Nickel plated	70T3504

Planning

Important:

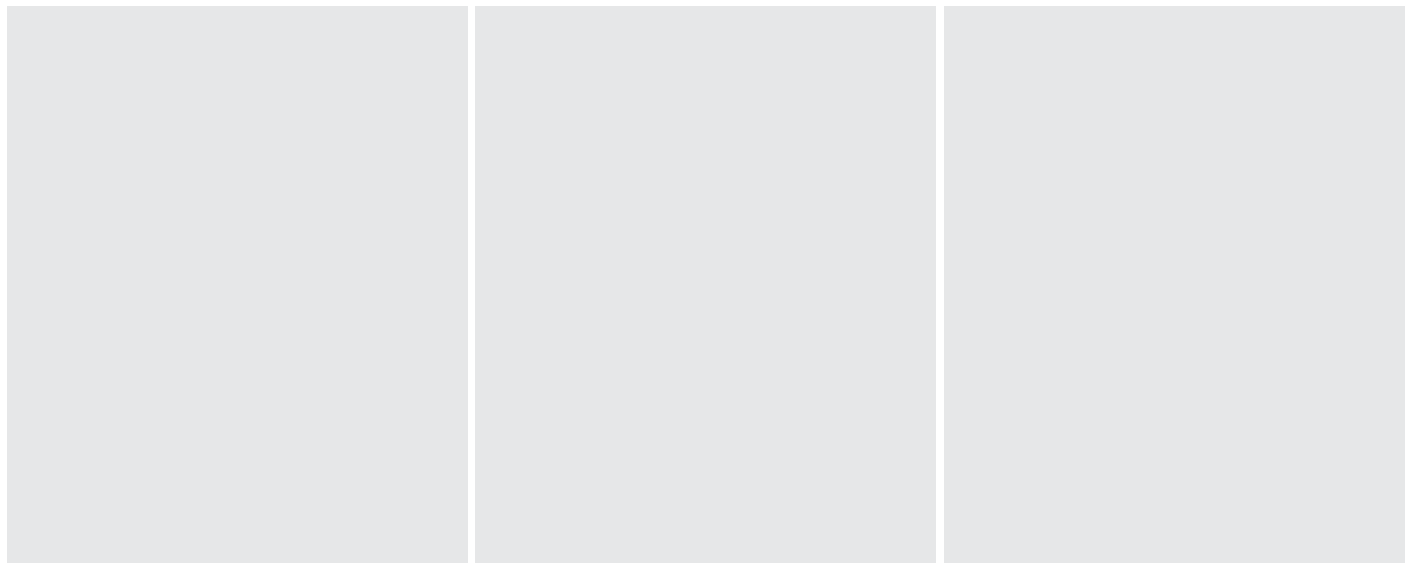
These dimensions are based on a 19 mm door and cabinet side thickness. Dimensions would need to be altered if either thickness varied from 19 mm.

A trial application is recommended. Some applications require the mounting plate to be moved from the standard fixing positions.

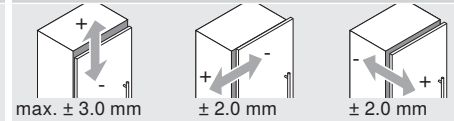


Planning

<p>N° 40 25°</p> <p>min. 20</p>		<p>N° 41 30°</p>		<p>N° 42 35°</p> <p>min. 25</p>	
Part No.		Part No.		Part No.	
Angled spacer	-5°	171A5500	Mounting plate	6 mm	175H9160
Mounting plate	0 mm	173H7100			
Angled spacer	+5°	171A5070	Mounting plate	0 mm	173H7100

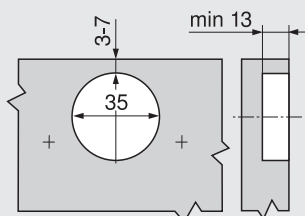


Adjustments

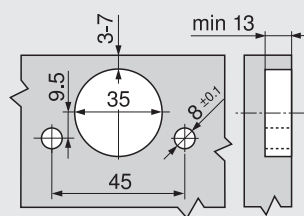


See mounting plates

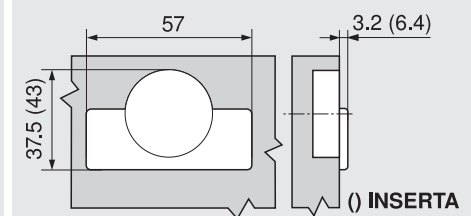
Screw-on



INSERTA assembly



Hinge boss dimensions



CLIP top BLUMOTION +20° II – angled hinge overlay

Product



Description

- All metal hinge, nickel plated
- +20° II angled hinge
- 95° opening angle
- With integrated **BLUMOTION**
- With **BLUMOTION** deactivation facility
- with convenient spiral-tech depth adjustment
- Compatible with existing mounting plates
- With closing mechanism (spring)
- Tool-free door to cabinet assembly and removal
- 3-dimensional adjustment (with relevant mounting plate)
- With **INSERTA** tool-free boss assembly

Application

	15°	20°	25°
	N° 18	N° 19	N° 20
	42	43	38
	N° 48	N° 49	N° 50
	42	43	38
	N° 3	N° 4	N° 5
	45	43	43
	N° 38	N° 39	N° 40
	45	45	41
	N° 55	N° 56	N° 57
	42	43	38

Order specification

	Boss	Part No.
	INSERTA	
Steel boss with spring		79B9595

	Boss cover cap for screw-on boss	
Steel	Nickel plated	70T3504

	Boss	Part No.
	Screw-on	
Steel boss with spring		79B9555

Planning

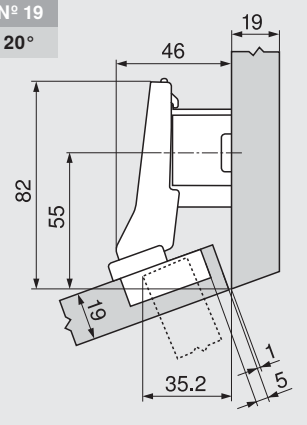
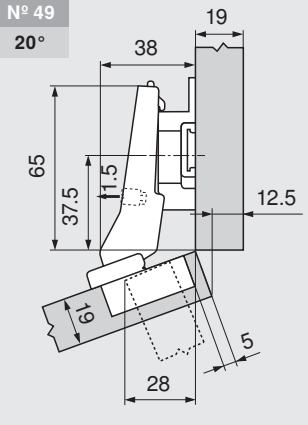
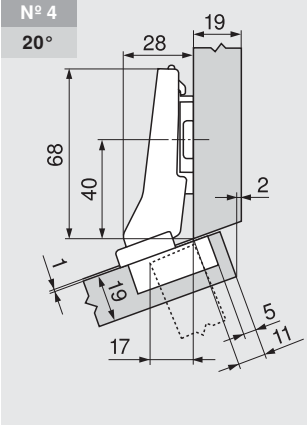
Important:

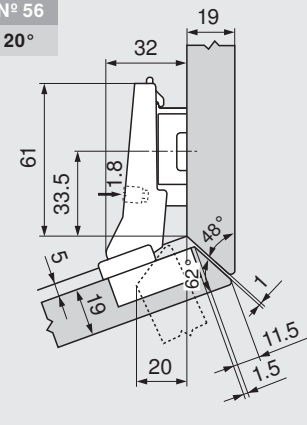
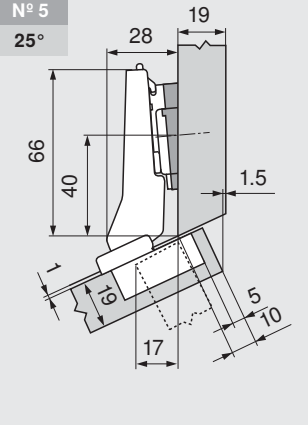

These dimensions are based on a 19 mm door and cabinet side thickness. Dimensions would need to be altered if either thickness varied from 19 mm.

A trial application is recommended. Some applications require the mounting plate to be moved from the standard fixing positions.

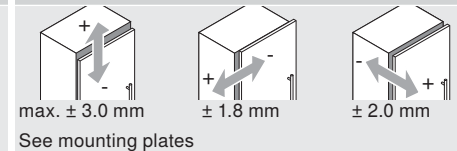
N° 18 15°		N° 48 15°		N° 55 15°	
Part No.		Part No.		Part No.	
Angled spacer -5°	171A5500	Angled spacer -5°	171A5500	Angled spacer -5°	171A5500
Mounting plate 9 mm	175H7190	Mounting plate 3 mm	173H7130	Mounting plate 0 mm	173H7100

Planning

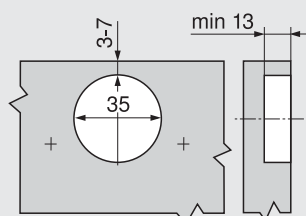
N° 19 20° 		N° 49 20° 		N° 4 20° 	
Part No.		Part No.		Part No.	
Mounting plate	18 mm	175H7190.22	Mounting plate	9 mm	175H7190
				Mounting plate	0 mm
				173H7100	

N° 56 20° 		N° 5 25° 		 min. 20	
Part No.		Part No.			
Mounting plate	6 mm	175H9160	Angled spacer	+5°	171A5010
				Mounting plate	0 mm
				173H7100	

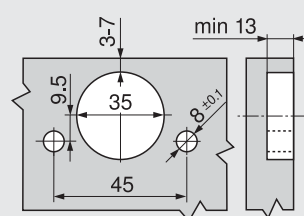
Adjustments



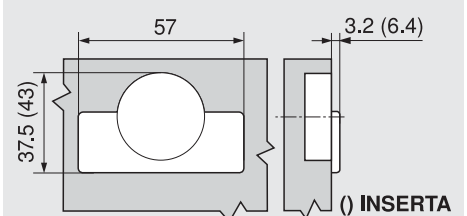
Screw-on



INSERTA assembly



Hinge boss dimensions



CLIP top BLUMOTION +15° III – angled hinge full overlay

Product



Description

- All metal hinge, nickel plated
- +15° III angled hinge
- 95° opening angle
- With integrated **BLUMOTION**
- With **BLUMOTION** deactivation facility
- with convenient spiral-tech depth adjustment
- Compatible with existing mounting plates
- With closing mechanism (spring)
- Tool-free door to cabinet assembly and removal
- 3-dimensional adjustment (with relevant mounting plate)
- With **INSERTA** tool-free boss assembly

Application

	10°	15°	20°
	N° 17	N° 18	N° 19
	44	42	43
	N° 47	N° 48	N° 49
	44	42	43
	N° 2	N° 3	N° 4
	44	45	43
	N° 37	N° 38	N° 39
	45	45	45
	-	N° 55	N° 56
		42	43

Order specification

	Boss INSERTA	Part No.
	Steel boss with spring	79B9494

	Boss cover cap for screw-on boss	Part No.
	Steel	
	Nickel plated	70T3504

	Boss Screw-on	Part No.
	Steel boss with spring	79B9454

Planning

Important:

These dimensions are based on a 19 mm door and cabinet side thickness. Dimensions would need to be altered if either thickness varied from 19 mm.

A trial application is recommended. Some applications require the mounting plate to be moved from the standard fixing positions.

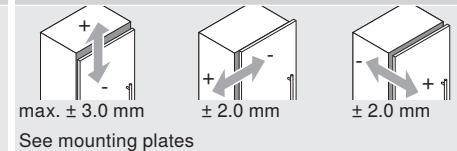
N° 17 10°		N° 47 10°		N° 2 10°	
Part No.		Part No.		Part No.	
Angled spacer -5°	171A5500	Angled spacer -5°	171A5500	Angled spacer -5°	171A5500
Mounting plate 18 mm	175H7190.22	Mounting plate 18 mm	175H7190.22	Mounting plate 0 mm	173H7100

Planning

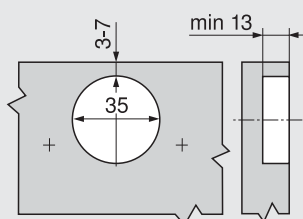
N° 37 10°		N° 3 15°		N° 38 15°							
Angled spacer	-5°	Part No.	171A5500	Mounting plate	9 mm	Part No.	175H7190	Mounting plate	6 mm	Part No.	175H9160
Mounting plate	0 mm		173H7100								

N° 39 20°					
Angled spacer	+5°	Part No.	171A5070		
Mounting plate	0 mm		173H7100		

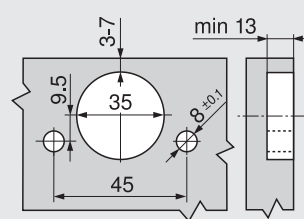
Adjustments



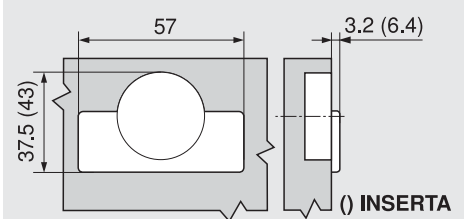
Screw-on



INSERTA / knock-in assembly



Hinge boss dimensions



CLIP top BLUMOTION -15° III – angled hinge full overlay





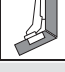
Product




Description

- All metal hinge, nickel plated
- -15° III angled hinge
- 110° opening angle
- With integrated **BLUMOTION**
- With **BLUMOTION** deactivation facility
- with convenient spiral-tech depth adjustment
- Compatible with existing mounting plates
- With closing mechanism (spring)
- Tool-free door to cabinet assembly and removal
- 3-dimensional adjustment (with relevant mounting plate)
- With **INSERTA** tool-free boss assembly

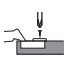
Application

	-20°	-15°	-10°
	N° 12 49	N° 13 49	N° 14 49
	-	-	-
	-	-	-
	N° 32 49	N° 33 49	N° 34 49
	-	-	-

Order specification

	Boss INSERTA	Part No.
Steel boss with spring		79B3493

	Boss cover cap for screw-on boss	
Steel	Nickel plated	70T3504

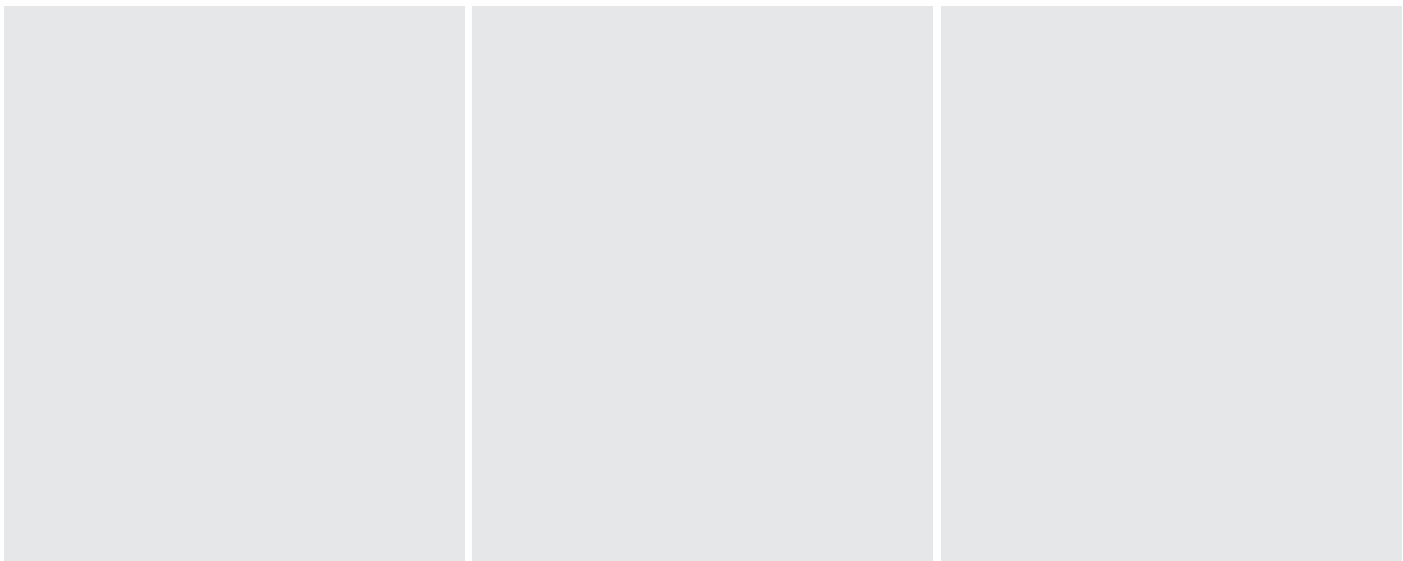
	Boss Screw-on	Part No.
Steel boss with spring		79B3453

Planning

Important:

These dimensions are based on a 19 mm door and cabinet side thickness. Dimensions would need to be altered if either thickness varied from 19 mm.

A trial application is recommended. Some applications require the mounting plate to be moved from the standard fixing positions.

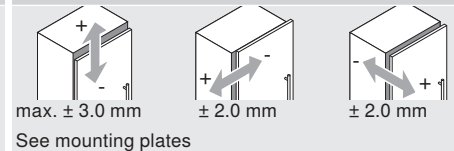


Planning

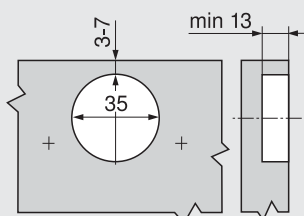
N° 12 -20°			N° 32 -20°			N° 13 -15°		
		Part No.			Part No.			Part No.
Angled spacer	-5°	171A5500	Angled spacer	-5°	171A5500	Mounting plate	18 mm	175H7190.22
Mounting plate	6 mm	175H9160	Mounting plate	0 mm	173H7100			

N° 33 -15°			N° 14 -10°			N° 34 -10°		
		Part No.			Part No.			Part No.
Mounting plate	0 mm	173H7100	Angled spacer	+5°	171A5070	Angled spacer	+5°	171A5010
			Mounting plate	9 mm	175H7190	Mounting plate	0 mm	173H7100

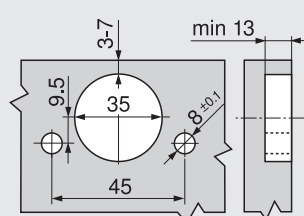
Adjustments



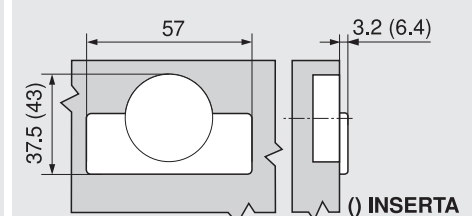
Screw-on



INSERTA assembly



Hinge boss dimensions



CLIP top BLUMOTION -30° III – angled hinge full overlay

Product



Description

- All metal hinge, nickel plated
- -30° III angled hinge
- 110° opening angle
- With integrated **BLUMOTION**
- With **BLUMOTION** deactivation facility
- with convenient spiral-tech depth adjustment
- Compatible with existing mounting plates
- With closing mechanism (spring)
- Tool-free door to cabinet assembly and removal
- 3-dimensional adjustment (with relevant mounting plate)
- With **INSERTA** tool-free boss assembly

Application

	-35°	-30°	-25°
	-	-	N° 11
	-	-	51
	-	-	-
	N° 29	N° 30	N° 31
	51	51	51
	-	-	-

Order specification

	Boss INSERTA	Part No.
Steel boss with spring		79B3491

	Boss Screw-on	Part No.
Steel boss with spring		79B3451

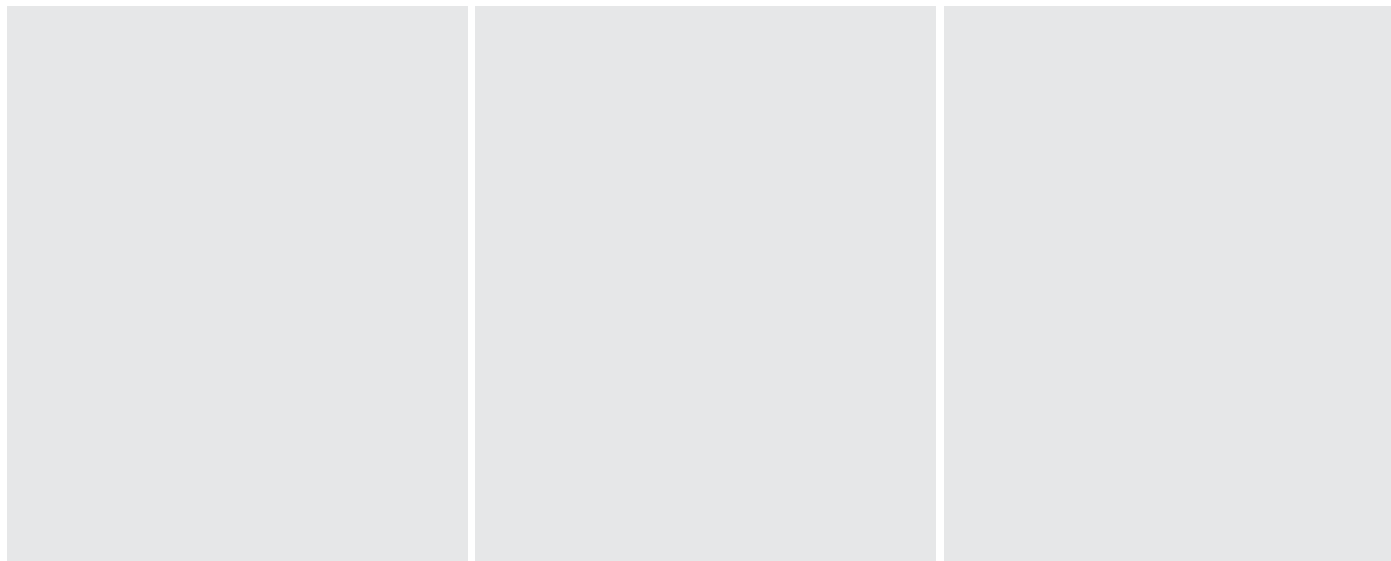
	Boss cover cap for screw-on boss	
Steel	Nickel plated	70T3504

Planning

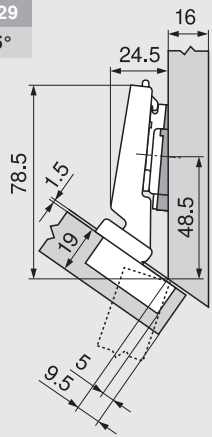
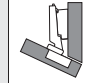

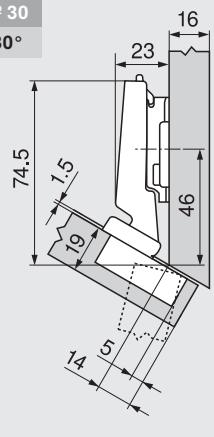
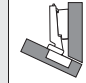
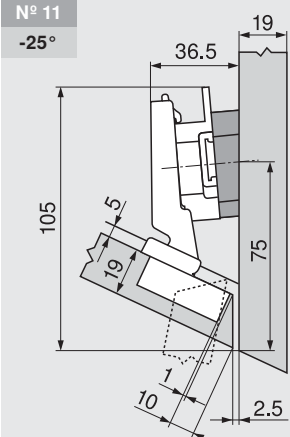
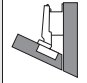

Important:

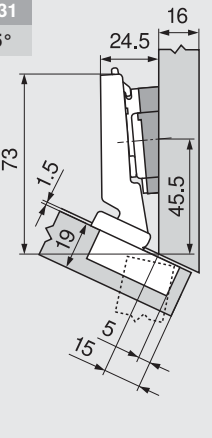
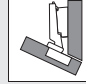

These dimensions are based on a 19 mm door and cabinet side thickness. Dimensions would need to be altered if either thickness varied from 19 mm.

A trial application is recommended. Some applications require the mounting plate to be moved from the standard fixing positions.



Planning

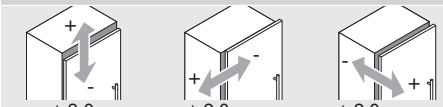
N° 29 -35°   		N° 30 -30°  		N° 11 -25°   	
	Part No.		Part No.		Part No.
Angled spacer	-5°	171A5500	Mounting plate	3 mm	173H7130
Mounting plate	0 mm	173H7100			
Angled spacer	+5°	171A5070	Mounting plate	9 mm	175H7190

N° 31 -25°   	
	Part No.
Angled spacer	+5°
Mounting plate	0 mm

	Part No.

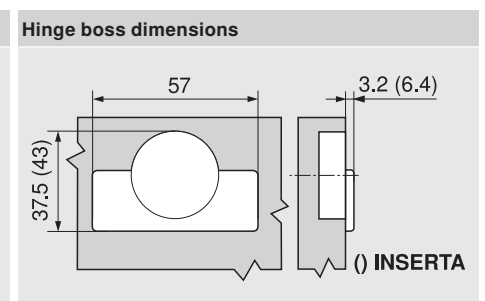
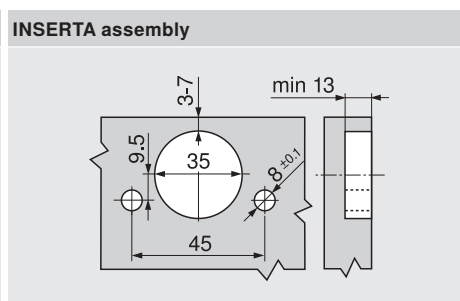
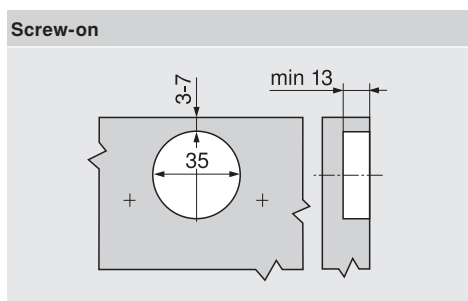
	Part No.

Adjustments



max. ± 3.0 mm ± 2.0 mm ± 2.0 mm

See mounting plates



CLIP top BLUMOTION -45° III – angled hinge full overlay

Product



Description

- All metal hinge, nickel plated
- -45° III angled hinge
- 110° opening angle
- With integrated **BLUMOTION**
- With **BLUMOTION** deactivation facility
- with convenient spiral-tech depth adjustment
- Compatible with existing mounting plates
- With closing mechanism (spring)
- Tool-free door to cabinet assembly and removal
- 3-dimensional adjustment (with relevant mounting plate)
- With **INSERTA** tool-free boss assembly

Application

	-50°	-45°	-40°
	-	-	-
	-	-	-
	-	-	-
	Nº 26	Nº 27	Nº 28
	53	53	53
	-	-	-

Order specification

	Boss INSERTA	Part No.
Steel boss with spring		79B3490

	Boss Screw-on	
Steel boss with spring		79B3450

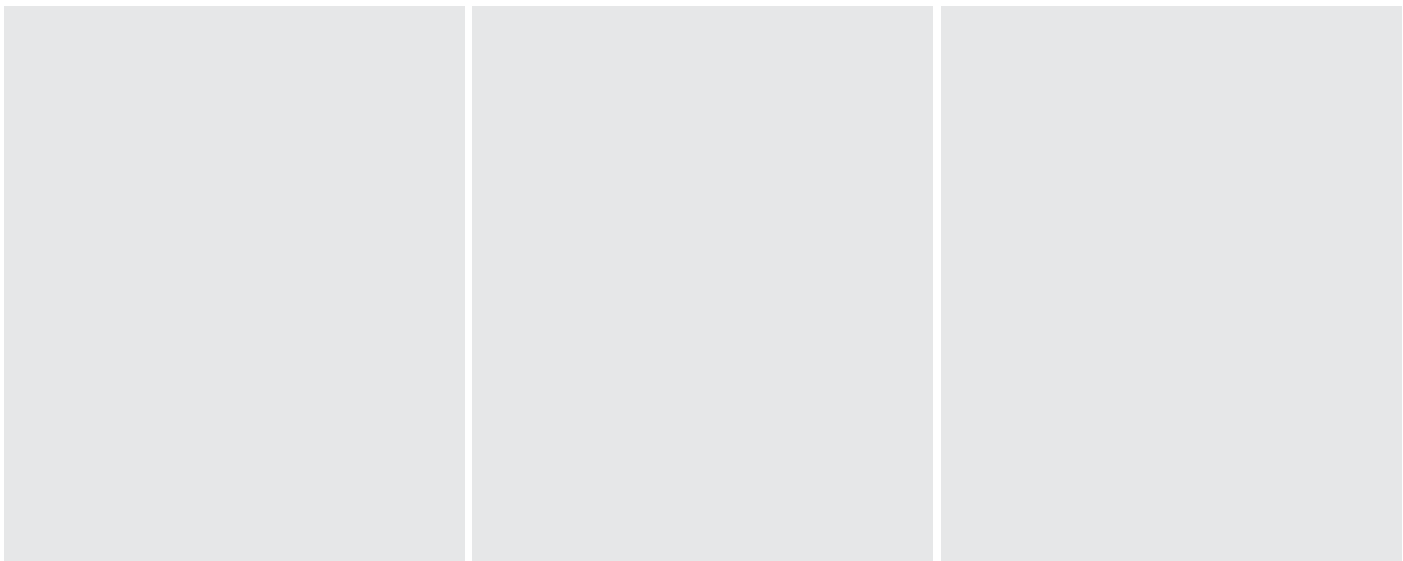
	Boss cover cap for screw-on boss	
Steel	Nickel plated	70T3504

Planning

Important:

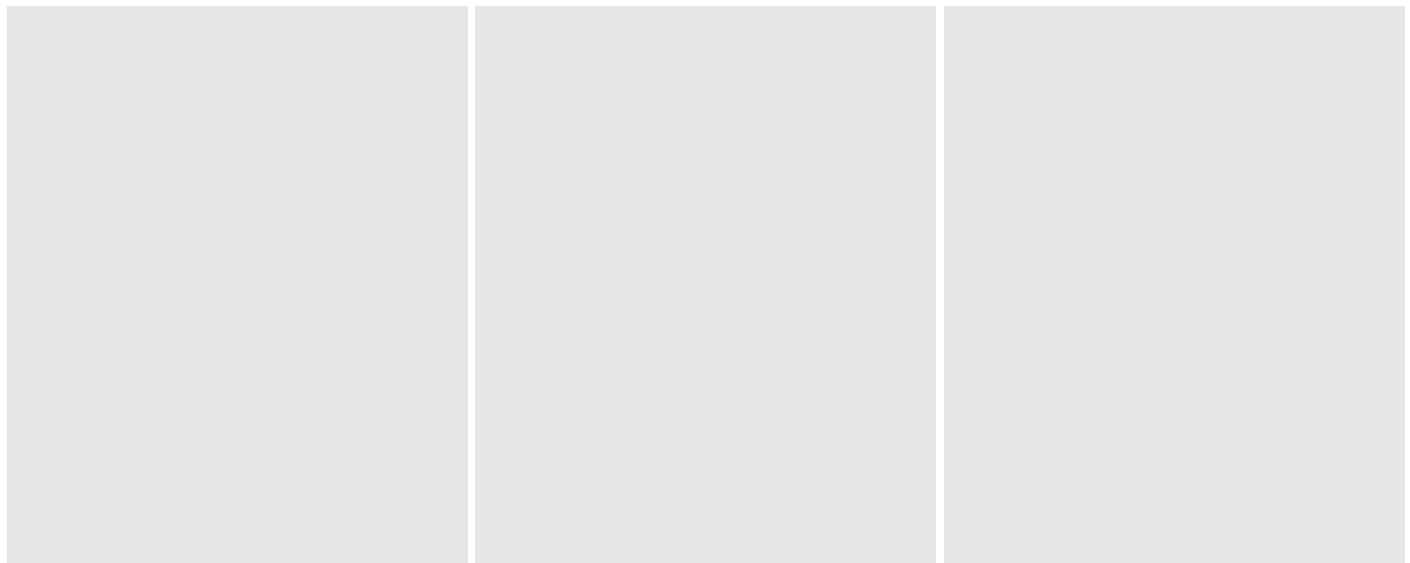
These dimensions are based on a 19 mm door and cabinet side thickness. Dimensions would need to be altered if either thickness varied from 19 mm.

A trial application is recommended. Some applications require the mounting plate to be moved from the standard fixing positions.



Planning

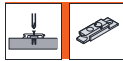
N° 26 -50°		N° 27 -45°		N° 28 -40°	
Angled spacer	-5°	Part No.		Part No.	
Mounting plate	0 mm	171A5500	3 mm	173H7130	
		173H7100			
Angled spacer	+5°	Part No.		Part No.	
Mounting plate	0 mm	171A5040		173H7100	



Adjustments
See mounting plates

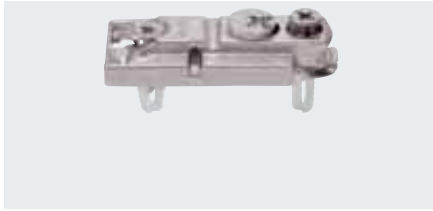
Screw-on	INSERTA assembly	Hinge boss dimensions

CLIP top Mounting Plates



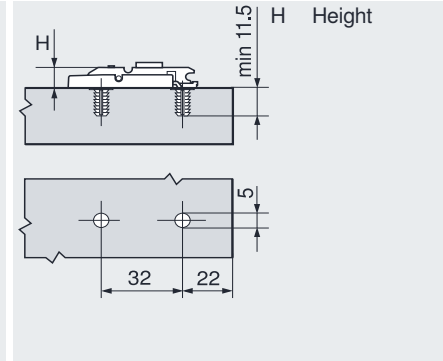
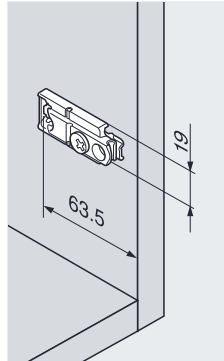
Horizontal cam mounting plate

22/32



- Material: zinc, nickel plated
- Assembly using pre-mounted special screws with split dowels (EXPANDO)
- With height adjustment ± 2 mm

Spacing	Height	Part no.
0 mm	8.5 mm	177H5400E
3 mm	11.5 mm	177H5430E



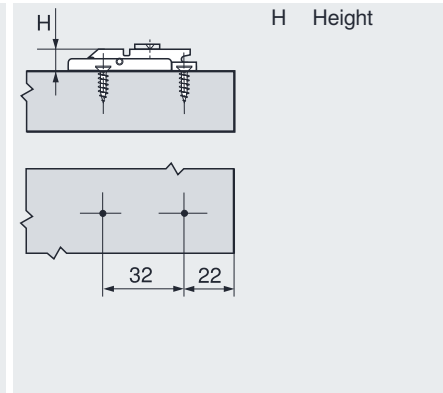
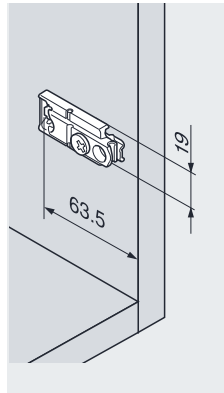
Horizontal cam mounting plate

22/32



- Material: zinc die-cast, nickel plated
- Fixing with chipboard screws $\varnothing 3.5$ mm
- With cam height adjustment ± 2 mm
- Recommended screw length 17 mm

Spacing	Height	Part no.
0 mm	8.5 mm	175H5400
3 mm	11.5 mm	175H5430



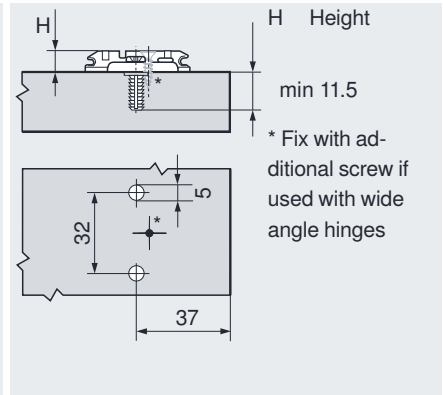
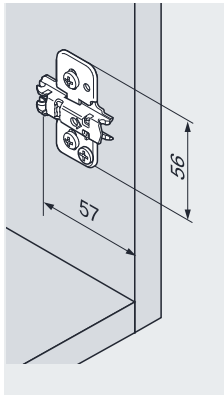
Cruciform cam mounting plate

37/32



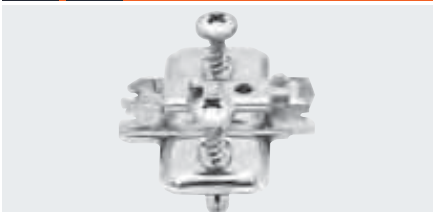
- Material: steel, nickel plated
- Fixing with pre-mounted special screws with split dowels
- With cam height adjustment ± 2 mm

Spacing	Height	Part no.
0 mm	8.5 mm	174H7100E
3 mm	11.5 mm	174H7130E



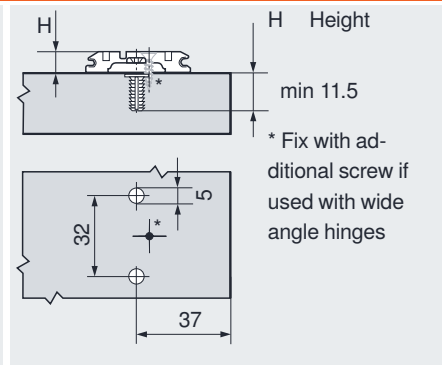
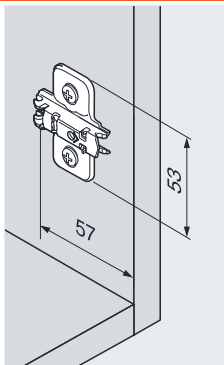
Cruciform mounting plate

37/32



- Material: steel, nickel plated
- Fixing with pre-mounted special screws with split dowels
- With height adjustment ± 2 mm

Spacing	Height	Part no.
0 mm	8.5 mm	174E6100.01
3 mm	11.5 mm	174E6130.01



CLIP top Mounting Plates

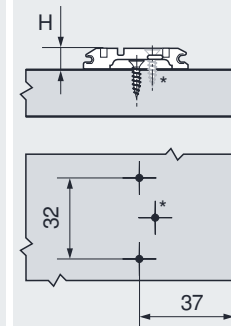
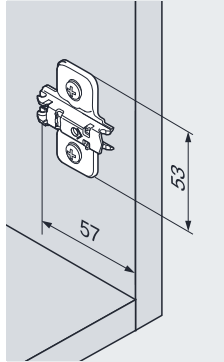


Cruciform mounting plate

37/32



- Material: steel, nickel plated
- Fixing with chipboard screws $\varnothing 3.5$ and $\varnothing 4$ mm
- With height adjustment ± 3 mm
- Recommended screw length 17 mm



H Height

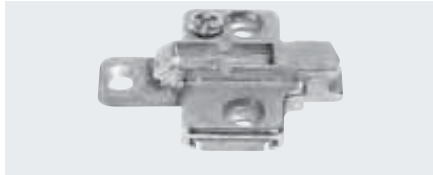
* Fix with additional screw if used with wide angle hinges

Spacing	Height	Part no.
0 mm	8.5 mm	173L6100
3 mm	11.5 mm	173L6130

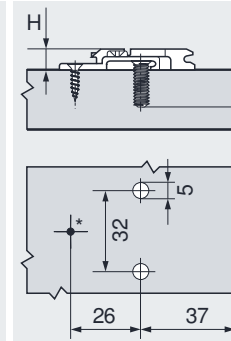
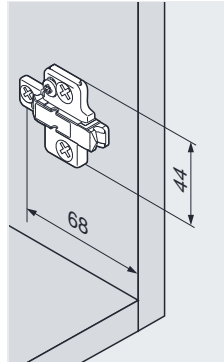


Cruciform mounting plate

37/32



- Material: zinc die-cast, nickel plated
- Fixing with system screws $\varnothing 6 \times 14.5$ mm (661.1450)
- With height adjustment ± 2 mm



H Height

min 11.5

* Fix with additional screw if used with wide angle hinges

Spacing	Height	Part no.
0 mm	8.5 mm	175H9100
3 mm	11.5 mm	175H9130
6 mm	14.5 mm	175H9160
9 mm	17.5 mm	175H9190
18 mm	26.5 mm	175H9190.22

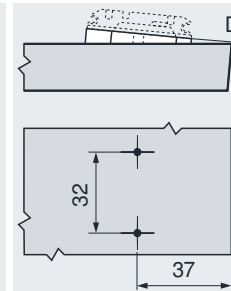
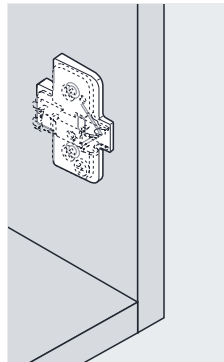


+5° obtuse angled spacer

37/32



- +5° obtuse angled spacer
- Material: zinc die-cast, nickel plated
- Suitable for mounting plates: 173H71X0, 175H71X0, 175H91X0
- Fixing with chipboard screws $\varnothing 3.5$ and $\varnothing 4$ mm



D Spacing

Spacing	Part no.
0.8 mm	171A5010
3 mm	171A5040
6 mm	171A5070

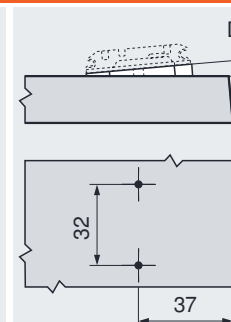
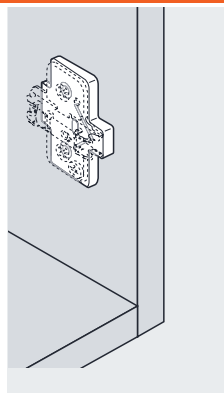


-5° acute angled spacer

37/32



- -5° acute angled spacer
- Material: zinc die-cast, nickel plated
- Suitable for mounting plates: 173H71X0, 175H71X0, 175H91X0
- Fixing with chipboard screws $\varnothing 3.5$ and $\varnothing 4$ mm

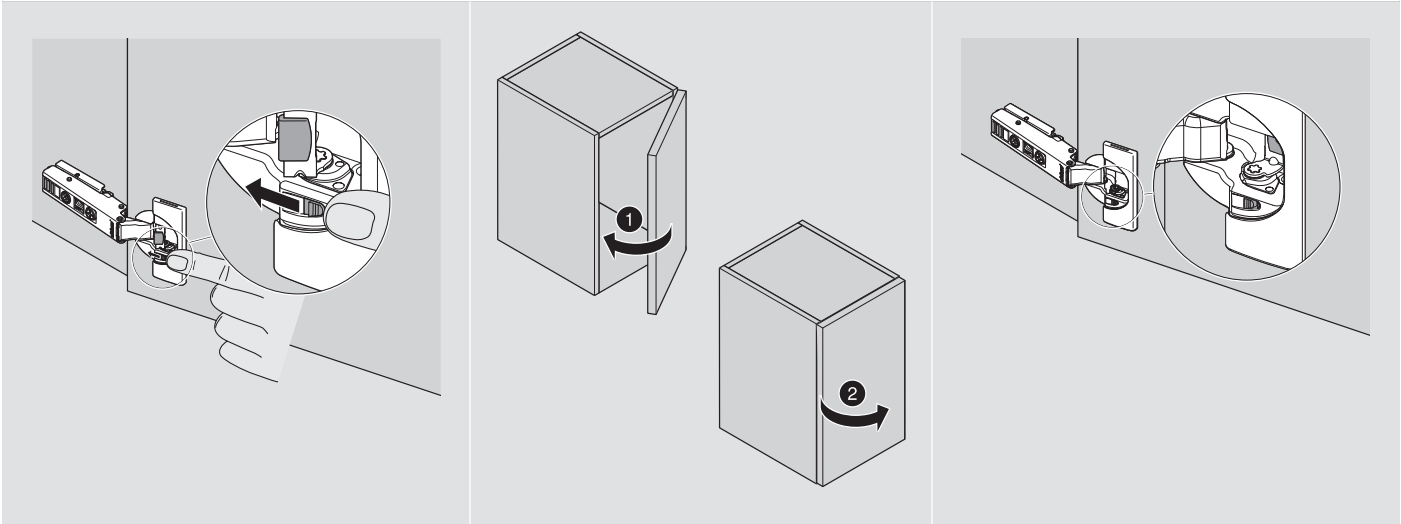


D Spacing

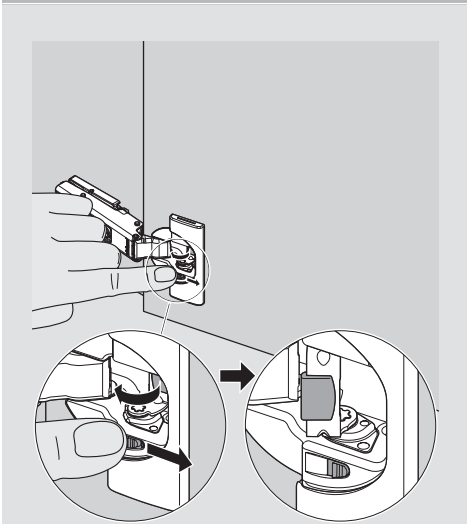
Spacing	Part no.
6 mm	171A5500

Assembly and adjustment

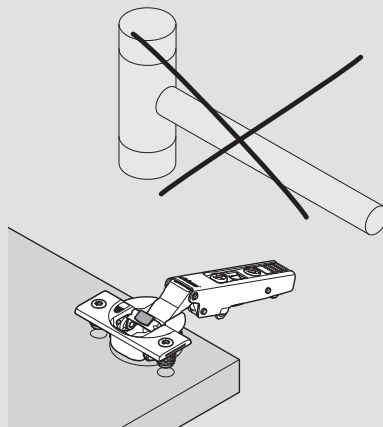
BLUMOTION deactivation (for small or light fronts)



BLUMOTION activation

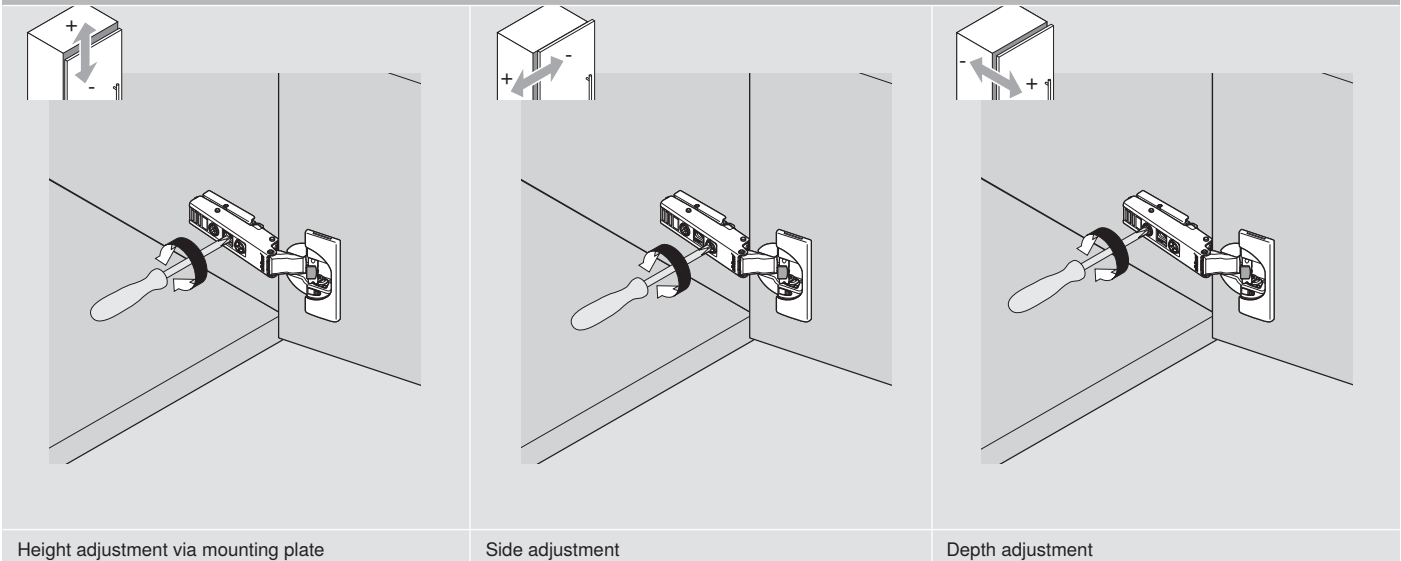


Note



Do not use a hammer to insert the hinge into the drill hole.

3-dimensional adjustment

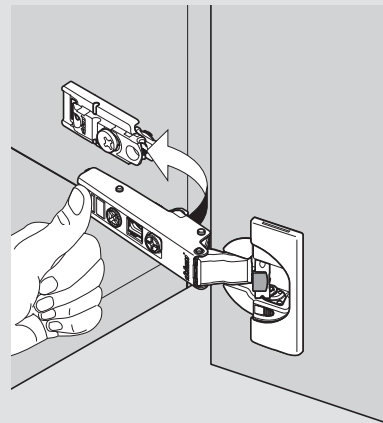
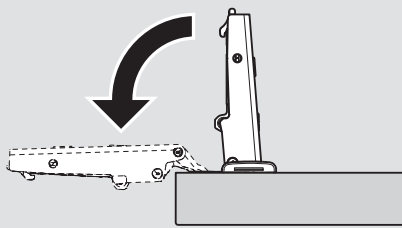
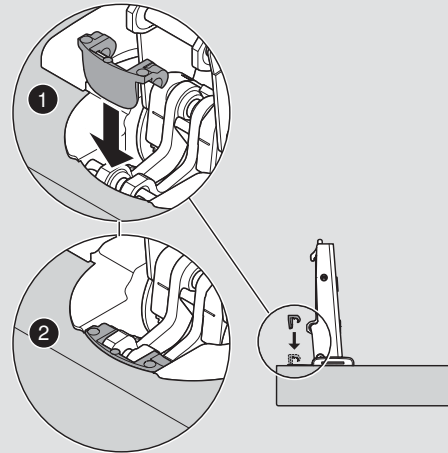
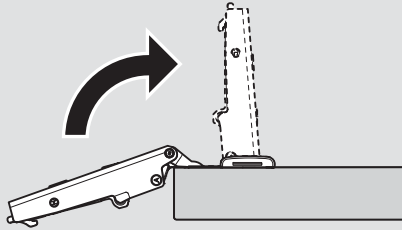


Height adjustment via mounting plate

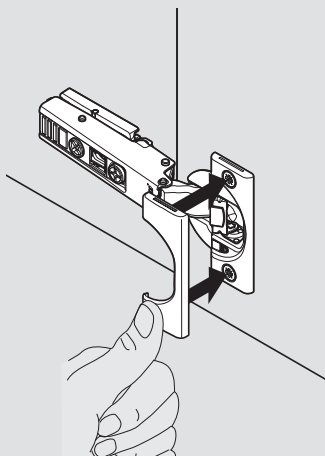
Side adjustment

Depth adjustment

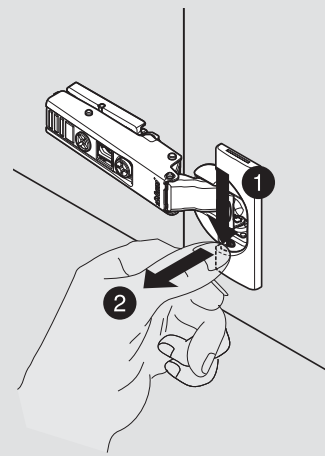
Opening angle stop assembly

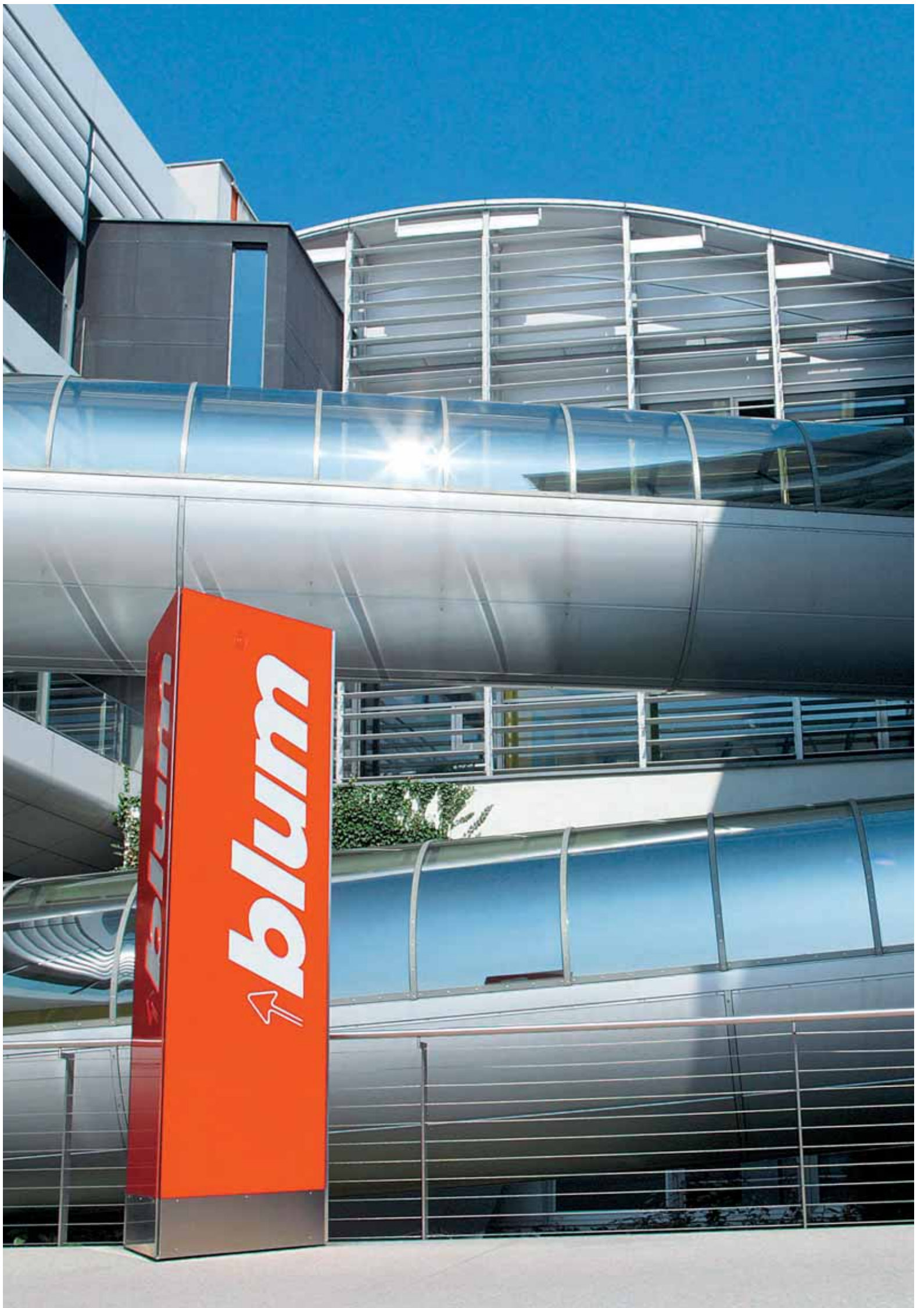


Boss cover cap assembly



Boss cover cap removal







Perfecting motion

Our understanding of perfect motion

Blum turns the opening and closing of furniture into an experience that significantly increases the comfort of motion in the kitchen. Several thousand employees are continually working worldwide implementing our concept of the perfect motion possible. Within this process, we place the needs of the kitchen user as the focus of our actions. We are only satisfied when the kitchen user is satisfied. All of our partners who participate in the furniture making process profit from this focus.

For over 50 years, quality has been the highest principle for the development and manufacture of our products. Our fittings systems shout "high quality" with their well-thought-out function, recognised design and high durability. They are designed to inspire and trigger fascination for perfect motion. We also set the bar very high for the services we offer. They must provide the best possible support to our partners.

So that we can target our efforts at all levels, we are in a constant dialogue with kitchen users and regularly exchange information with furniture manufacturers, carpenters and distributors.

All content is copyrighted by Blum.
Subject to technical modifications and changes to the range without notice. ID: 1.001.13

Blum Australia Pty. Ltd.
P.O. Box 1615
Green Valley, NSW 2168
Australia
Tel.: +61 2 9612 5400
Fax: +61 2 9822 8540
E-mail: info.au@blum.com



 **blum**®