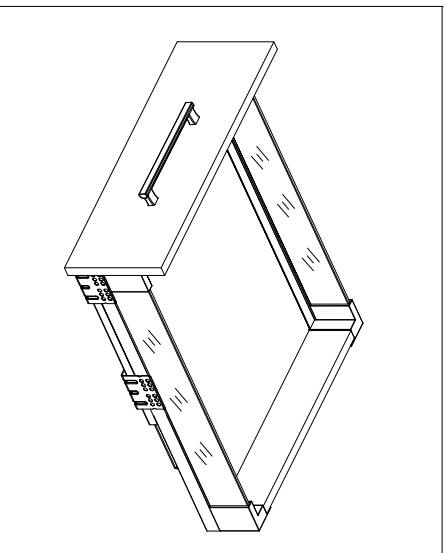


# Silent Drawer System

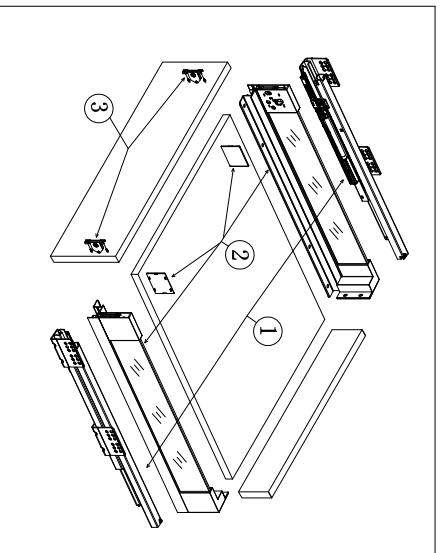
## Modul Box Assembly Instruction



### Special Features:

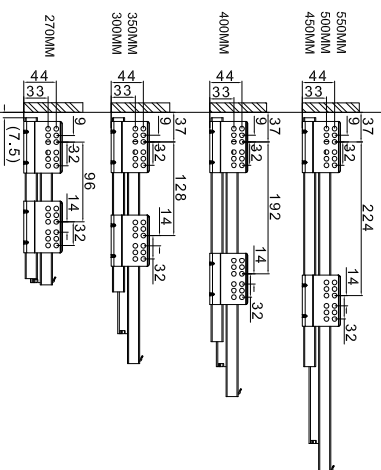
- Length:270,300,350,400,450,500,550mm.
- The drawer side-board is 88mm high.
- Drawer width can be designed freely with automatic error adjustment.
- Hidden full pulout silencing sliding stid can bear 35kg and enjoys
- excellent stability and quite and smooth sliding performance.
- Quick installation and dismantle.
- Newly-designed built-in damper is free from reinstallation and ensures soft and smooth drawer movements.

| Basic Length | Internally usable drawer depth | Minimum installation depth of drawer | Minimum installation height |
|--------------|--------------------------------|--------------------------------------|-----------------------------|
| 270mm        | 244mm                          | 275mm                                | 110mm                       |
| 300mm        | 274mm                          | 305mm                                | 110mm                       |
| 350mm        | 324mm                          | 355mm                                | 110mm                       |
| 400mm        | 374mm                          | 405mm                                | 110mm                       |
| 450mm        | 424mm                          | 455mm                                | 110mm                       |
| 500mm        | 474mm                          | 505mm                                | 110mm                       |
| 550mm        | 524mm                          | 555mm                                | 110mm                       |



| 1. Guide                        | Left/Right   | Length:   |
|---------------------------------|--------------|---|
|                                 | Left/Right   | 270mm<br>300mm<br>350mm<br>400mm<br>450mm<br>500mm<br>550mm |
| 2. Drawer Side & Decorative Cap | Left/Right   | Length:   |
|                                 | Left/Right   | 270mm<br>300mm<br>350mm<br>400mm<br>450mm<br>500mm<br>550mm |
| 3. Front connector              | Left / Right |   |
|                                 | Left / Right |   |

### Runner Installation(mm)



Basic length:270/300/350/400/450/500/550

