

Silent Drawer System

Special Features:

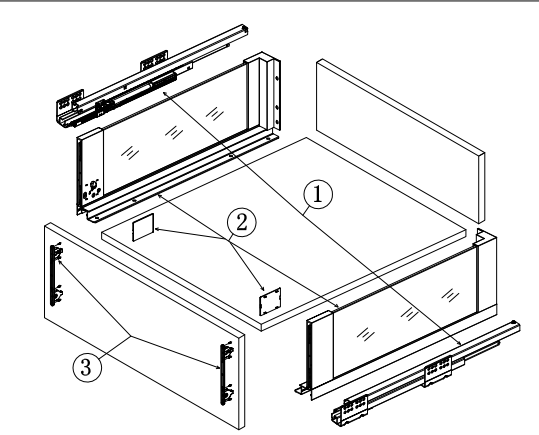
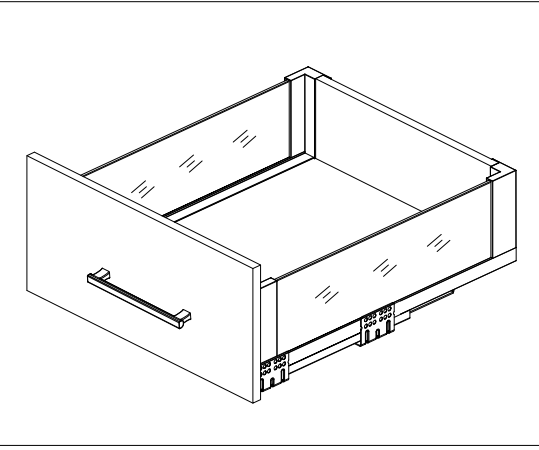
- Length: 270, 300, 350, 400, 450, 500, 550mm.
- The drawer side-board is 171mm high.
- Drawer width can be designed freely with automatic error adjustment.
- Hidden full pullout silencing sliding skid can bear 35kg and enjoys excellent stability and quite and smooth sliding performance.
- Quick installation and dismantle.
- Newly-designed built-in damper is free from reinstallation and ensures soft and smooth drawer movements.

Basic length	Internally usable drawer depth	Minimum installation depth of drawer	Minimum installation height
270mm	244mm	275mm	193mm
300mm	274mm	305mm	193mm
350mm	324mm	355mm	193mm
400mm	374mm	405mm	193mm
450mm	424mm	455mm	193mm
500mm	474mm	505mm	193mm
550mm	524mm	555mm	193mm

1. Guide Left/Right Length: 270mm, 300mm, 350mm, 400mm, 450mm, 500mm, 550mm

2. Drawer Side & Decorative Cap Left/Right Length: 270mm, 300mm, 350mm, 400mm, 450mm, 500mm, 550mm

3. Front connector Left / Right



Technology pivot:
Bottom and Back Panel Measurement
16MM Density Panel

LW: Inside Cabinet Width

1 Bottom panel width=Inside Cabinet Width-75±0.5
Bottom panel length=Runner length-10MM

2 Back panel height= 151MM
Back panel width=Inside Cabinet Width-87±0.5

Runner Installation(mm)

Basic length: 270/300/350/400/450/500/550

Modul Box Assembly Instruction

Inside Cabinet Dimension

Front Panel Mounting Positions

Front Fixing Brackets Positions

Back Panel Mounting Positions

Front fixing brackets mounting

Installed panel Remember that tighten the fixing screw

Front panel removing

1 Take out the plastic cover

Back panel removing

1 Loosen the fastening screws
2 Rotation to dismantle the panel

Front panel height adjustment : ±2mm

Front panel side adjustment : right 1mm

Front panel side adjustment : left 1mm

Mounting the drawer

Installing the drawer

Removing the drawer

Push the metal spring part from the panel & pull out

Function of the damper