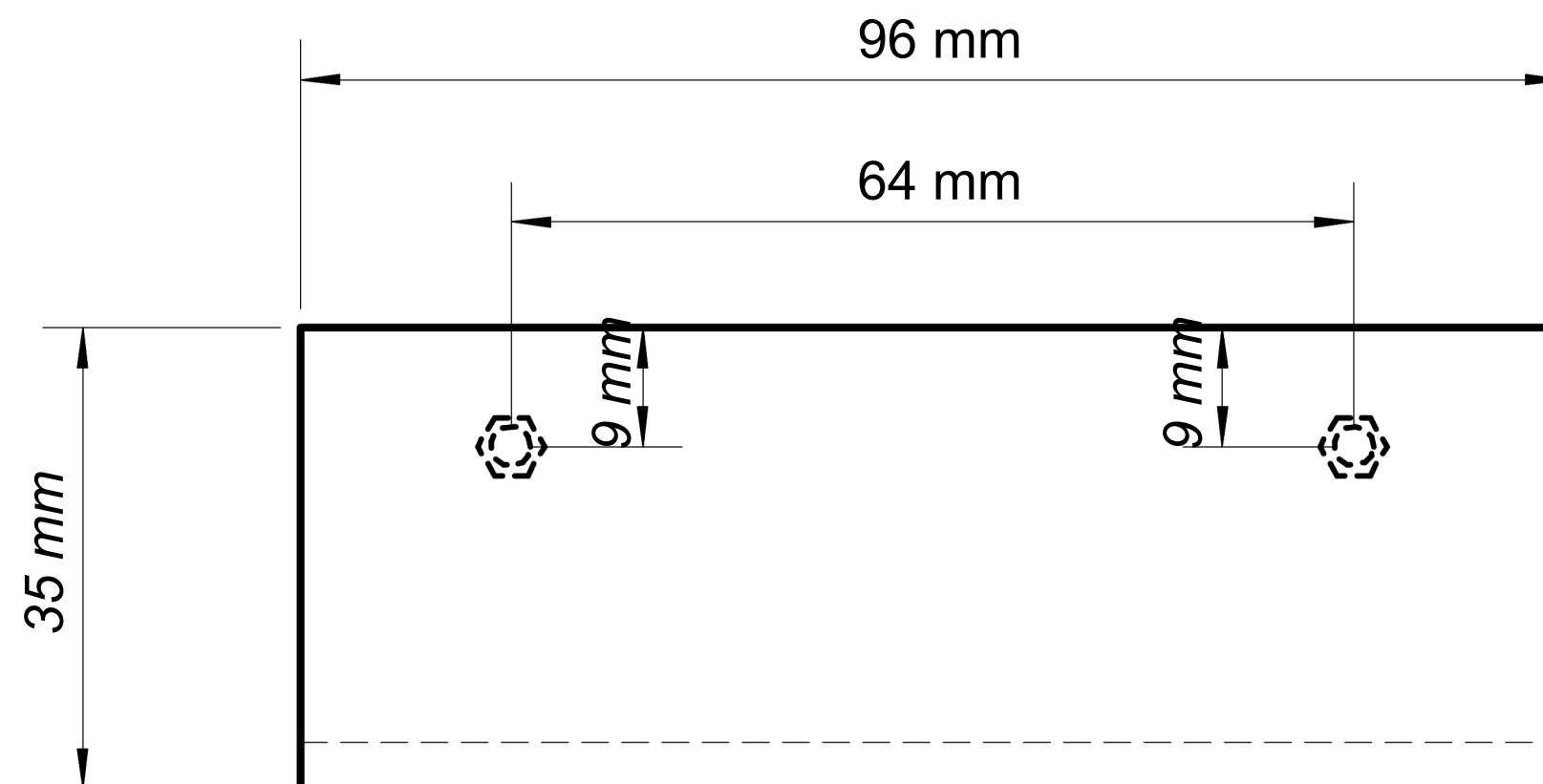


Side View 1:1



Code	Number of holes	Hole Diam (mm)	Hole Depth (mm)	Back edge to hole ctr (mm)	Holecentre to centre (mm)	
					Adjoining	Overall
IWKEPDH BPCM32	2	6.5	20	9	16	16
IWKEPDH BPCM96	2	6.5	20	9	64	64
IWKEPDH BPCM160	3	6.5	20	9	64	128

* We recommend securing with NEUTRAL CURE silicone to allow future removal if necessary. Do not use liquid nails as this will prevent future removal. Do not use Acetic Cure silicones as this will not stick.

Hole Drilling for Kethy Edge Pull

Kethy