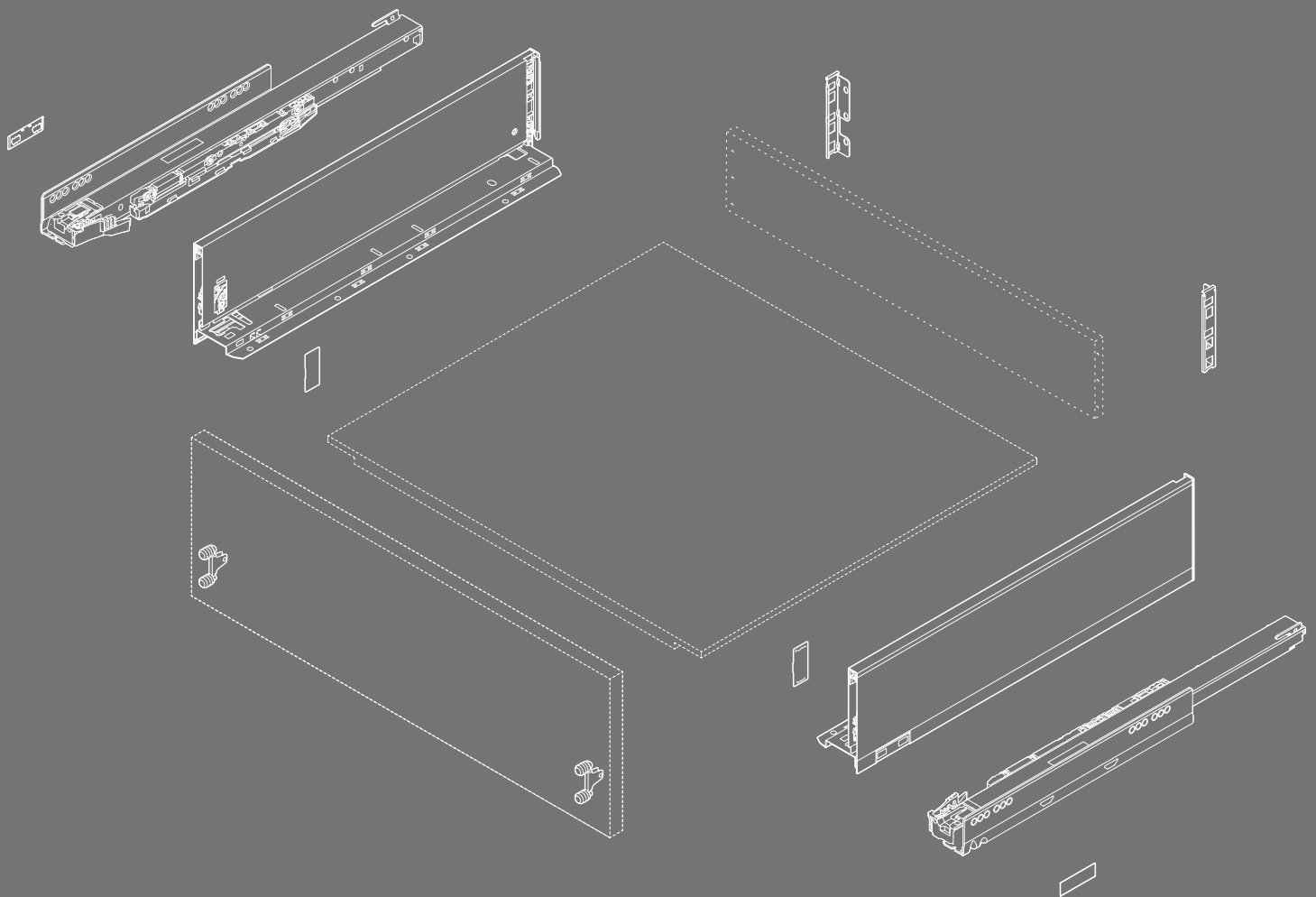


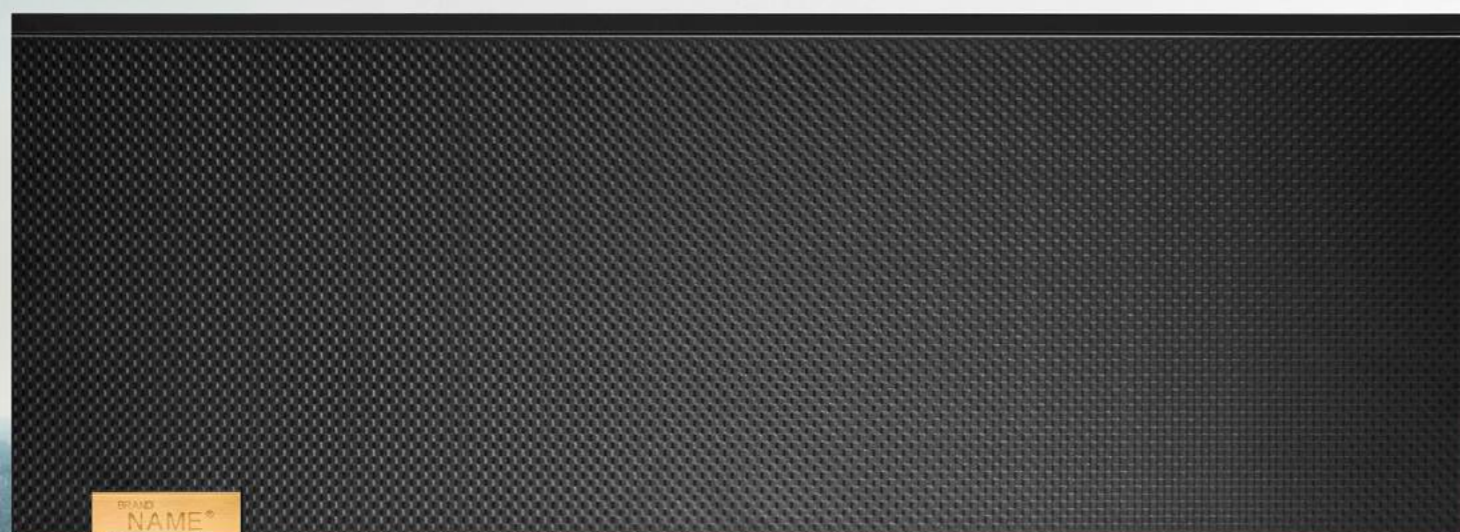
LEGRABOX

Ordering and planning information



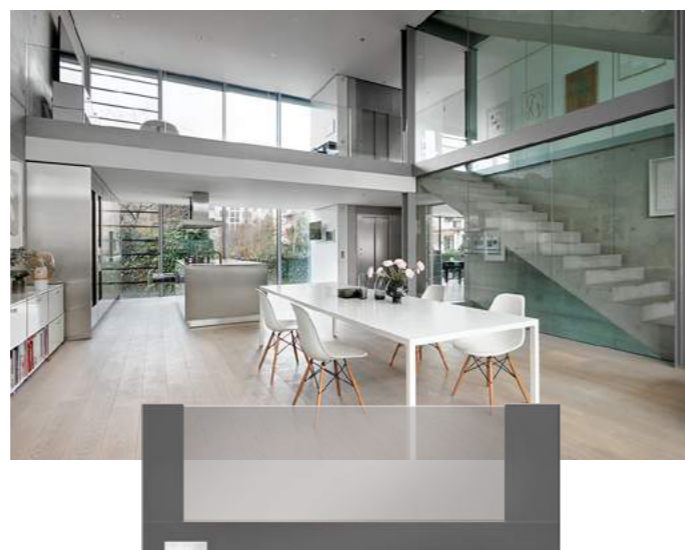
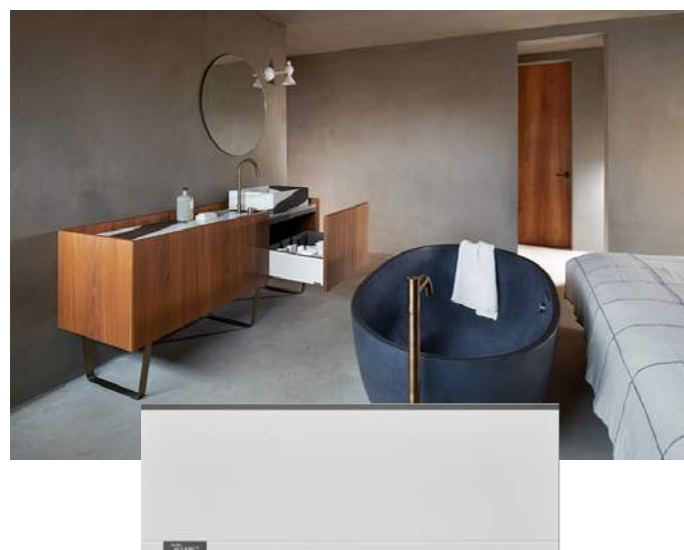
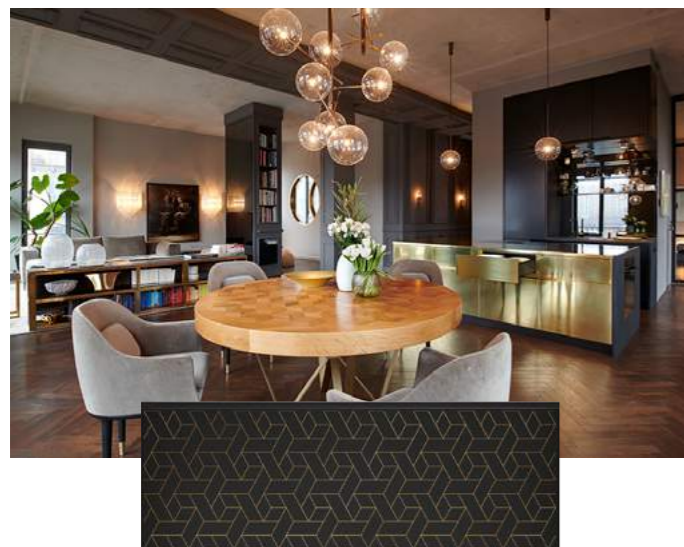
Turn your inspiration into a reality: myLEGRABOX

Transform living space into design space. Think design: outside and in. Get new ideas for innovative furniture concepts from all over the world and turn your inspiration into unique furniture. No matter what inspires you – LEGRABOX gives you endless possibilities to channel inspiration into design. What is more, you can make your furniture as simple or bespoke as you wish. Join us on a journey of discovery!



Contents

- 4** Overview of product range
- 8** Drawer – height N
- 12** Drawer – height M
- 16** Inner drawer – height M
- 20** Drawer – height K
- 24** **High fronted pull-out – height C**
 - LEGRABOX pure
 - LEGRABOX free
- 30** **Inner pull-out – height C**
 - Front piece with design element
- 36** – Front piece with gallery
- 42** Sink pull-out – height M
- 46** **Sink pull-out – height C**
 - LEGRABOX pure
 - LEGRABOX free
- 56** High fronted pull-out – height F
- 62** Design options
- 72** Accessories
- 75** Cabinet profile fixing
- 76** Assembly devices
- 80** SERVO-DRIVE
- 110** TIP-ON BLUMOTION
- 114** AMBIA-LINE



As simple or bespoke as you wish

How special do you want LEGRABOX to be? You have three design levels to choose from. LEGRABOX pure and LEGRABOX free offer a selection of standard colours and a premium look in anti-fingerprint stainless steel. Go one step further with the LEGRABOX special edition. This colour coordinated collection features incredible looks based on carbon black matt. Experience the ultimate in design freedom with LEGRABOX individual. Mix colours and materials, use printing, laser texturing and embossing options to customise drawer sides – the freedom is yours. Give free rein to your creativity. Different terms and conditions apply to the different design levels. Blum checks the feasibility of customised designs.



What inspires you? Create your very own designs and turn LEGRABOX into myLEGRABOX with our Design Selector.
www.blum.com/lbxselector

Our services at a glance

Our services support you throughout your entire process – from planning and design all the way through to manufacturing. Take advantage of our tried-and-tested, user-friendly services for your projects with LEGRABOX.



Concept, planning, quotation

Configure and save your LEGRABOX projects effortlessly online. Our Product and Cabinet Configurator provides you with checked and complete parts lists. Use the Design Selector to create your own myLEGRABOX ideas and make them a reality.



Design

Our Product and Cabinet Configurators support you in the configuration of furniture and matching LEGRABOX fittings. Our CAD/CAM Data Service provides you with data on LEGRABOX in the most common formats for your design.



Ordering

Simply transfer your parts lists from the Product and Cabinet Configurator directly to the web shop of selected distributors. To make it easy to order your LEGRABOX configuration, you can manage your different projects and order lists with ease under "My projects" and "My order lists".



Manufacturing

Use our configurators and appropriate assembly devices to accelerate your production process. Simply use the BXF interface and EASYSTICK to transfer your planning results to MINIPRESS.



Find out more about our E-SERVICES:
www.blum.com/e-services

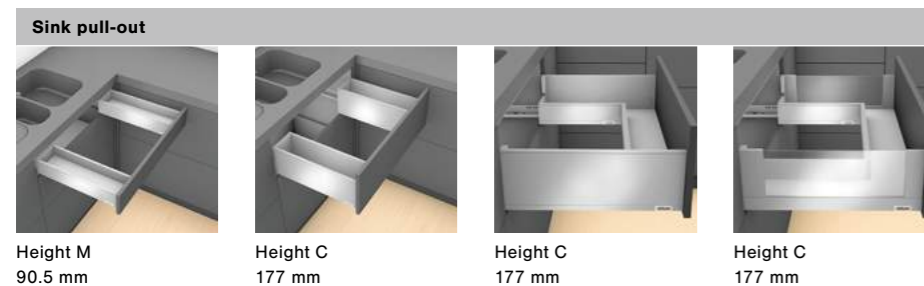
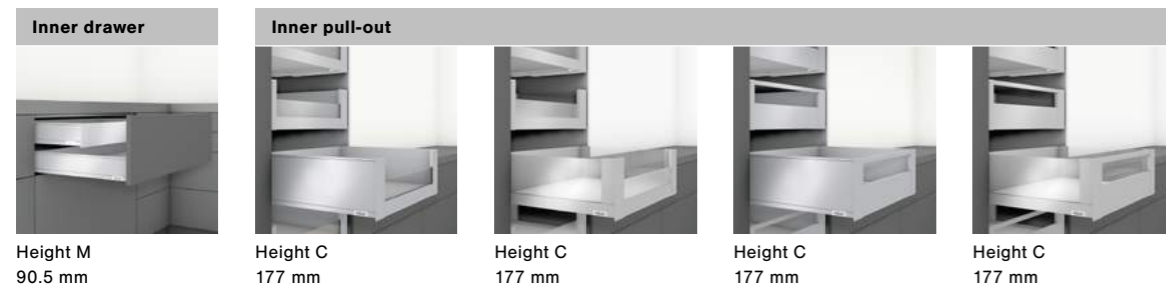
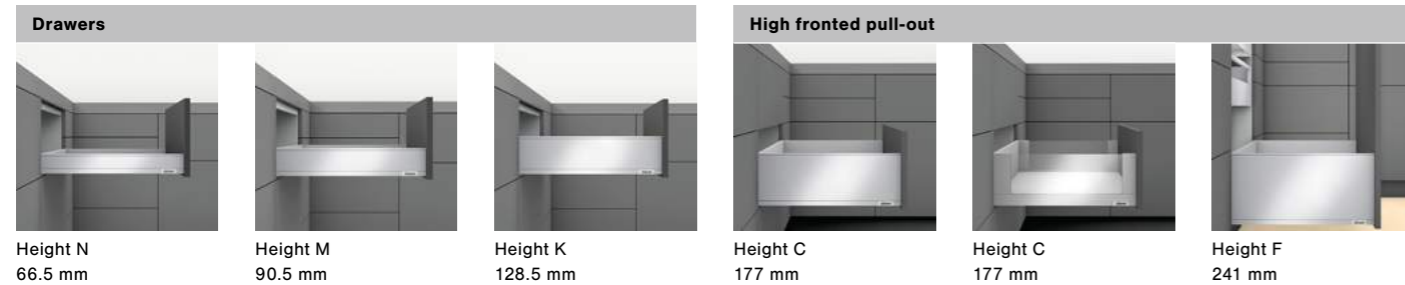
Our range at a glance

The LEGRABOX range is as wide ranging as the concept of home itself. Drawers, inner drawers, high fronted pull-outs and inner pull-outs can be implemented in different colours, heights, nominal lengths and load bearing classes.

Facts

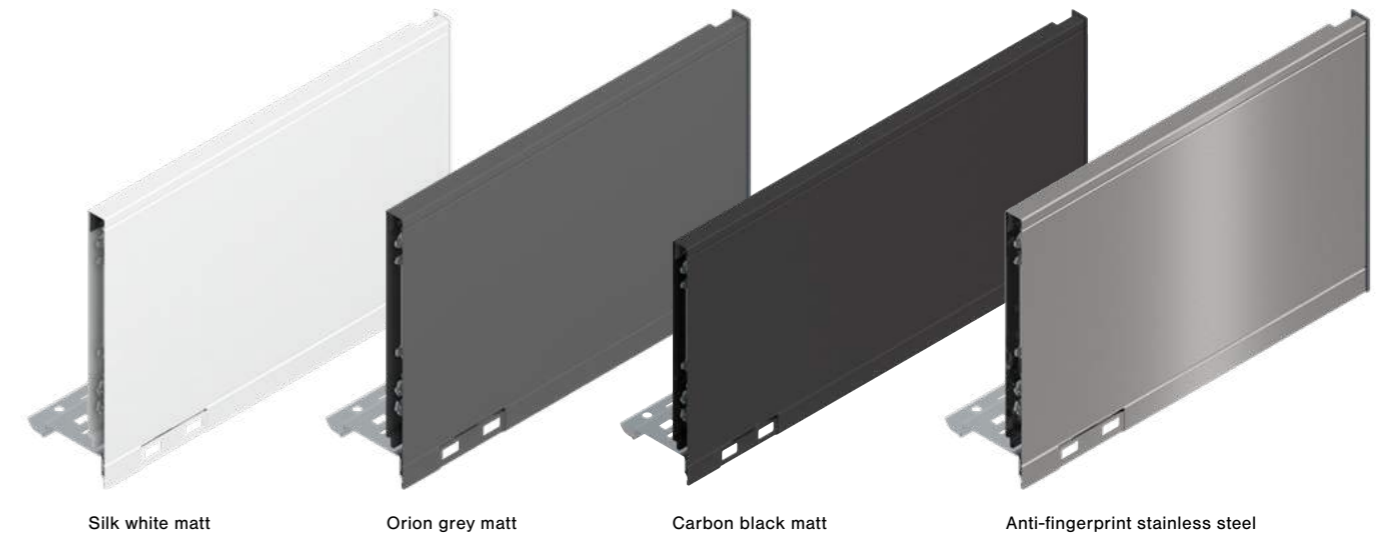
- LEGRABOX pure, LEGRABOX free, LEGRABOX special edition and LEGRABOX individual
- Great scope for customisation
- Drawer sides made from steel and stainless steel
- Straight on the inside and outside
- Slim 12.8 mm drawer side
- Synchronised feather-light glide
- Tool-free front assembly
- The branding element enables customisation across all LEGRABOX design options

Drawer side heights



Colour range

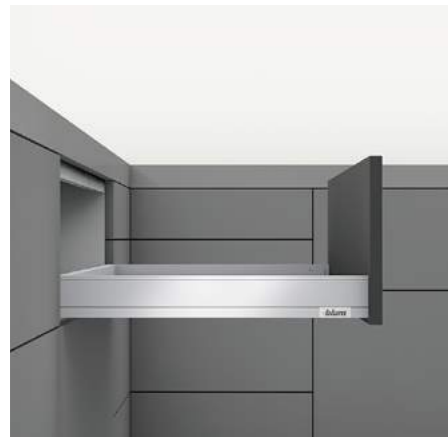
LEGRABOX comes in a wide range of colours and materials to suit every taste. For a special look, opt for the anti-fingerprint stainless steel coating or a refined matt steel finish.



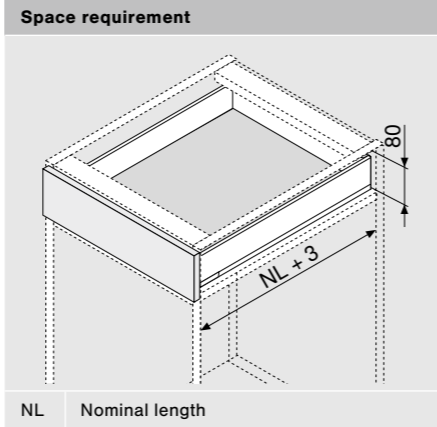
Recommendation – colour combination of components				
Name	Colours			
	SW-M	OG-M	CS-M	INGL
Drawer side set	SW-M	OG-M	CS-M	INGL
Drawer side set (outer side)	SW-M	OG-M	CS-M	INGL
Drawer side set (inner side)	SW-M	OG-M	CS-M	INGL
Chipboard back fixings left/right	SW-M	OG-M	CS-M	NI
Steel back L-shape left/right	SW-M	OG-M	CS-M	CS-M
Front piece set	SW-M	OG-M	CS-M	INGL
Front piece without groove	SW-M	OG-M	CS-M	ELEO
Front piece with groove	SW-M	OG-M	CS-M	ELEO
Latch set	SW-M	OG-M	CS-M	CS-M
Cross gallery	SW-M	OG-M	CS-M	ELEO

¹ Sink cabinet

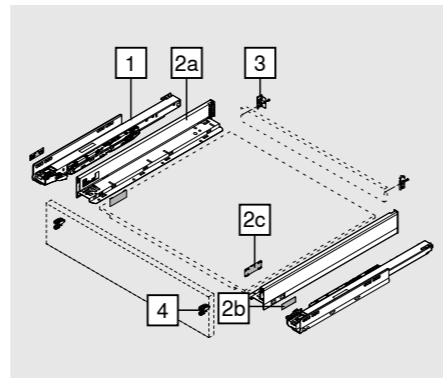
Colours	
SW-M	Silk white matt
OG-M	Orion grey matt
CS-M	Carbon black matt
INGL	Anti-fingerprint stainless steel
IN-G	In-mould brushed stainless steel
GO-G	Brushed gold
KU-G	Brushed copper
NI	Nickel plated
ELEO	Anodised stainless steel look

Drawer – height N


- Suitable for LEGRABOX pure and LEGRABOX free
- Includes integrated, switchable BLUMOTION S for soft and effortless closing and can be combined with SERVO-DRIVE or TIP-ON BLUMOTION
- Two-dimensional front adjustment in the drawer side


Ordering information

1	Cabinet profiles left/right	
	Nominal length NL (mm)	BLUMOTION S
		40 kg
	450	750.4501S
500	750.5001S	



2	Drawer side set	
	Height of drawer side (mm)	66.5
	Nominal length NL (mm)	SW-M
	450	770N4502S
500	770N5002S	

Consisting of:

2a	1 x	Left/right drawer sides
2b	2 x	Branding element, embossed with Blum logo, custom printed from 1000 pcs
2c	2 x	Cover caps

3	Chipboard back fixings left/right	
	Material	Height
	Steel	N
		SW-M
		ZB7N000S

Ordering information

4	Front fixing bracket		
	Fixing method		
	EXPANDO	2 x	ZF7N70E2
	EXPANDO T	2 x	ZF7N70T2
	Screw-on	2 x	ZF7N7002
EXPANDO T suitable for thin fronts – see page 74			

Accessories

-	Fixing screw (pan head screw)		
	Ø (mm)	Length (mm)	
	4	15	For connecting chipboard back fixings to chipboard back and drawer sides to drawer base
			61D.1500

In order to achieve optimal assembly, we recommend that you use pan head screws for the chipboard back and drawer side

Planning

Space requirements in the cabinet

* + 1 mm if cabinet profile is installed before cabinet assembly

Front installation dimensions for screw-on assembly

FA Front overlay

* + 1 mm if cabinet profile is installed before cabinet assembly

Front drilling distances for EXPANDO/EXPANDO T

* + 1 mm if cabinet profile is installed before cabinet assembly

** min. 6 mm for EXPANDO T

Back installation dimensions

Planning

Cutting dimensions for 16 mm chipboard

Chipboard back	B (mm)
Height	39
Drawer base	A (mm)
Chipboard back	NL - 10
Rebate dimensions	C

KB	Cabinet width
LW	Internal cabinet width
NL	Nominal length

Drilling dimensions

Drawer base

Hole spacing – Cabinet profiles

Cabinet profile 750 – 40 kg

Nominal length NL (mm)

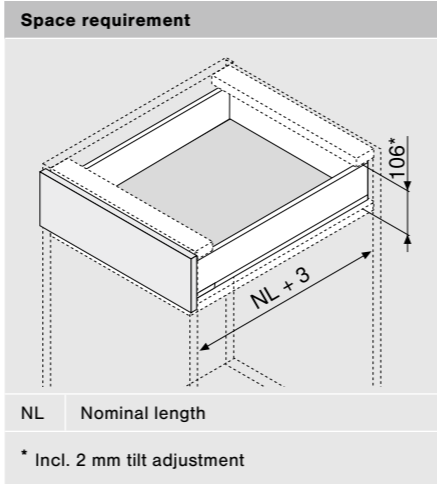
450 | 500

Internal cabinet depth LT min. = nominal length NL + 3 mm

Drawer – height M

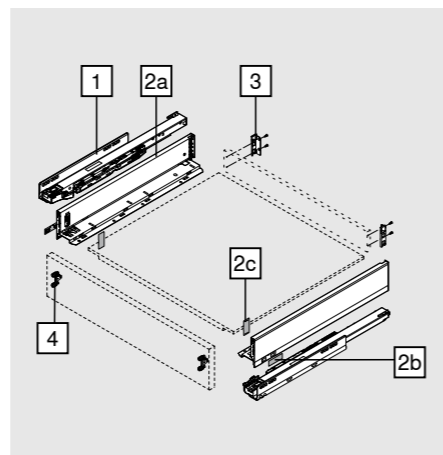


- Suitable for LEGRABOX pure and LEGRABOX free
- Includes integrated, switchable BLUMOTION S for soft and effortless closing and can be combined with SERVO-DRIVE or TIP-ON BLUMOTION
- Three-dimensional front adjustment in the drawer side



Ordering information

1	Cabinet profiles left/right		
	Nominal length NL (mm)	BLUMOTION S	
		40 kg	70 kg
	270	750.2701S	
	350	750.3501S	
	400	750.4001S	
	450	750.4501S	753.4501S
	500	750.5001S	753.5001S
	550	750.5501S	753.5501S
	600		753.6001S



2	Drawer side set				
	Height of drawer side (mm)	90.5			
	Nominal length NL (mm)	SW-M	OG-M	CS-M	INGL
	270		770M2702S		
	350		770M3502S		
	400		770M4002S		770M4002I
	450		770M4502S		770M4502I
	500		770M5002S		770M5002I
	550		770M5502S		770M5502I
	600		770M6002S		
Consisting of:					
2a	1 x	Left/right drawer sides			
2b	2 x	Branding element, embossed with Blum logo, custom printed from 1000 pcs			
2c	2 x	Cover caps			

LEGRABOX design options for customised drawer side designs – see page 62

Ordering information

3	Chipboard back fixings left/right					
	Material	Height	SW-M	OG-M	CS-M	NI
	Steel	M	ZB7M000S			

4	Front fixing bracket				
	Fixing method				
		EXPANDO		2 x	ZF7M70E2
		EXPANDO T		2 x	ZF7M70T2
	Screw-on		2 x	ZF7M7002	

EXPANDO T suitable for thin fronts – see page 72

Accessories

-	Fixing screw (pan head screw)			For connecting chipboard back fixings to chipboard back and drawer sides to drawer base	61D.1500
	Ø (mm)	Length (mm)			
	4	15			

In order to achieve optimal assembly, we recommend that you use pan head screws for the chipboard back and drawer side

Planning

Space requirements in the cabinet

*	+ 1 mm if cabinet profile is installed before cabinet assembly
**	Incl. 2 mm tilt adjustment

Front installation dimensions for screw-on assembly

FA	Front overlay
*	+ 1 mm if cabinet profile is installed before cabinet assembly

Front drilling distances for EXPANDO/EXPANDO T

*	+ 1 mm if cabinet profile is installed before cabinet assembly
**	min. 6 mm for EXPANDO T

Back installation dimensions

Planning

Cutting dimensions for 16 mm chipboard

Chipboard back	B (mm)
Height	63
Drawer base	A (mm)
Chipboard back	NL - 10
Rebate dimensions	C

KB	Cabinet width
LW	Internal cabinet width
NL	Nominal length

Drilling dimensions

Drawer base

Hole spacing – Cabinet profiles

Cabinet profile 750 – 40 kg

Nominal length NL (mm)

270	320
350	320
400 450 500	320
550	320

Cabinet profile 753 – 70 kg

Nominal length NL (mm)

450	320
500 550 600	320

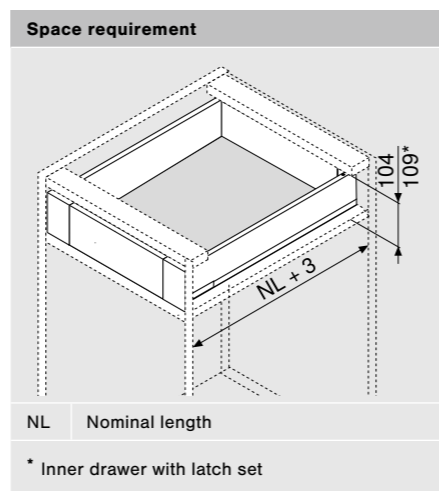
Internal cabinet depth LT min. = nominal length NL + 3 mm

Closed front piece

Inner drawer – height M

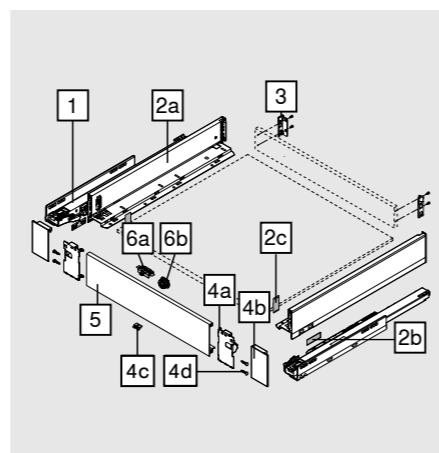


- Inner drawer with closed front piece
- Suitable for LEGRABOX pure and LEGRABOX free
- Includes integrated, switchable BLUMOTION S for soft and effortless closing and can be combined with SERVO-DRIVE or TIP-ON BLUMOTION
- Three-dimensional front adjustment in the drawer side



Ordering information

1	Cabinet profiles left/right		
	Nominal length NL (mm)	BLUMOTION S	
		40 kg	70 kg
	270	750.2701S	
	350	750.3501S	
	400	750.4001S	
	450	750.4501S	753.4501S
	500	750.5001S	753.5001S
	550	750.5501S	753.5501S
600		753.6001S	



2	Drawer side set				
	Height of drawer side (mm)	90.5			
	Nominal length NL (mm)	SW-M	OG-M	CS-M	INGL
	270		770M2702S		
	350		770M3502S		
	400		770M4002S		770M4002I
	450		770M4502S		770M4502I
	500		770M5002S		770M5002I
	550		770M5502S		770M5502I
	600		770M6002S		

Consisting of:

2a	1 x	Left/right drawer sides
2b	2 x	Branding element, embossed with Blum logo, custom printed from 1000 pcs
2c	2 x	Cover caps

LEGRABOX design options for customised drawer side designs – see page 62

Closed front piece

Ordering information

3	Chipboard back fixings left/right					
	Material	Height	SW-M	OG-M	CS-M	NI
	Steel	M	ZB7M000S			

4	Front piece set				
	Material	SW-M	OG-M	CS-M	INGL
	Steel	ZI7.0MS0			
	Anti-fingerprint				ZI7.0MI0

Consisting of:

4a	1 x	Front fixing left/right
4b	1 x	External cover caps left/right
4c	1 x	Locking piece
4d	4 x	Screws

5	Front piece without groove				
	Length (mm)	SW-M	OG-M	CS-M	ELEO
	1043	ZV7.1043C01			
	Suitable for cabinet width KB 1200 mm				
Cutting:		Internal cabinet width LW - 126 mm			

Accessories

6	Latch set (optional)*			
	Material	SW-M	OG-M	CS-M**
	Nylon	ZI7.0M07		

Latch must be mounted on the front piece

* Latch set (ZI7.0M07) cannot be used in combination with TIP-ON BLUMOTION

** CS-M also for INGL

Consisting of:

6a	1 x	Latch
6b	1 x	Latch housing (RAL 7037 dust grey)

-	Fixing screw (pan head screw)		
	Ø (mm)	Length (mm)	
	4	15	For connecting chipboard back fixings to chipboard back and drawer sides to drawer base
	61D.1500		

In order to achieve optimal assembly, we recommend that you use pan head screws for the chipboard back and drawer side

Closed front piece

Planning

Space requirements in the cabinet

* + 1 mm if cabinet profile is installed before cabinet assembly

** Inner drawer with latch set possible from height 71 mm

Front drilling distances for latch housing

Closed front piece

Planning

Cutting dimensions for 16 mm chipboard

Chipboard back	B (mm)
Height	63
Drawer base	A (mm)
Chipboard back	NL - 10
Rebate dimensions	C

KB	Cabinet width
LW	Internal cabinet width
NL	Nominal length

Drilling dimensions

Drawer base

Hole spacing – Cabinet profiles

Cabinet profile 750 – 40 kg

Nominal length NL (mm)

270
350
400 | 450 | 500
550

Cabinet profile 753 – 70 kg

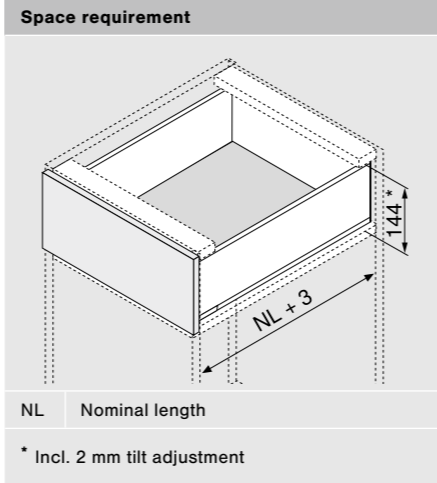
Nominal length NL (mm)

450
500 | 550 | 600

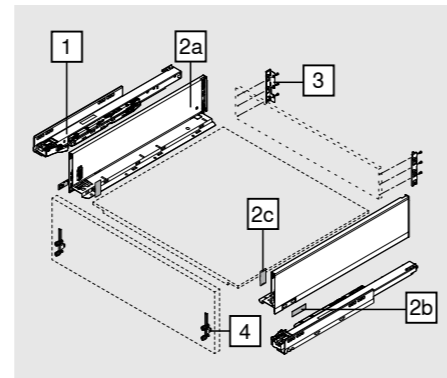
Internal cabinet depth LT min. = nominal length NL + 3 mm

Drawer – height K


- Suitable for LEGRABOX pure and LEGRABOX free
- Includes integrated, switchable BLUMOTION S for soft and effortless closing and can be combined with SERVO-DRIVE or TIP-ON BLUMOTION
- Three-dimensional front adjustment in the drawer side


Ordering information

1	Cabinet profiles left/right		
	Nominal length NL (mm)	BLUMOTION S	
		40 kg	70 kg
	350	750.3501S	
	400	750.4001S	
	450	750.4501S	753.4501S
	500	750.5001S	753.5001S
	550	750.5501S	753.5501S



2	Drawer side set			
	Height of drawer side (mm)	128.5		
	Nominal length NL (mm)	SW-M	OG-M	CS-M
	350	770K3502S		
	400	770K4002S		
	450	770K4502S		
	500	770K5002S		
	550	770K5502S		

Consisting of:

2a	1 x	Left/right drawer sides
2b	2 x	Branding element, embossed with Blum logo, custom printed from 1000 pcs
2c	2 x	Cover caps

LEGRABOX design options for customised drawer side designs – see page 62

3	Chipboard back fixings left/right				
	Material	Height	SW-M	OG-M	CS-M
	Steel	K	ZB7K000S		

Ordering information

4	Front fixing bracket		
	Fixing method		
	EXPANDO	2 x	ZF7K70E2
	EXPANDO T	2 x	ZF7K70T2
	Screw-on	2 x	ZF7K7002

EXPANDO T suitable for thin fronts – see page 72

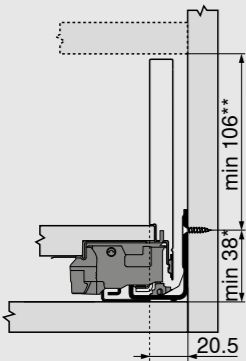
Accessories

-	Fixing screw (pan head screw)		
	Ø (mm)	Length (mm)	
	4	15	For connecting chipboard back fixings to chipboard back and drawer sides to drawer base
			61D.1500

In order to achieve optimal assembly, we recommend that you use pan head screws for the chipboard back and drawer side

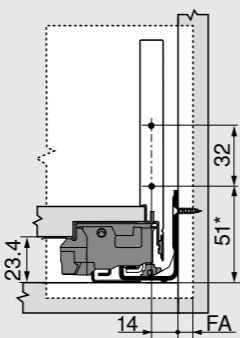
Planning

Space requirements in the cabinet



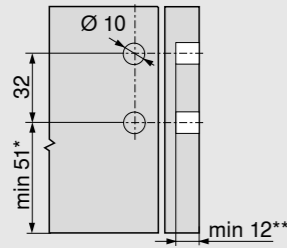
*	+ 1 mm if cabinet profile is installed before cabinet assembly
**	Incl. 2 mm tilt adjustment

Front installation dimensions for screw-on assembly



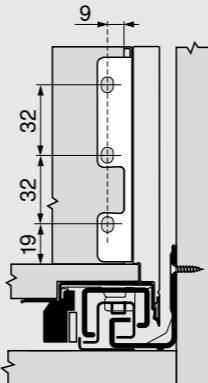
FA	Front overlay
*	+ 1 mm if cabinet profile is installed before cabinet assembly

Front drilling distances for EXPANDO/EXPANDO T



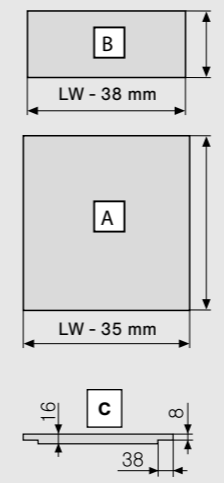
*	+ 1 mm if cabinet profile is installed before cabinet assembly
**	min. 6 mm for EXPANDO T

Back installation dimensions

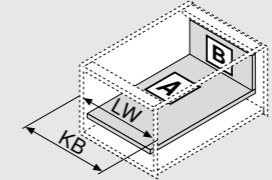


Planning

Cutting dimensions for 16 mm chipboard



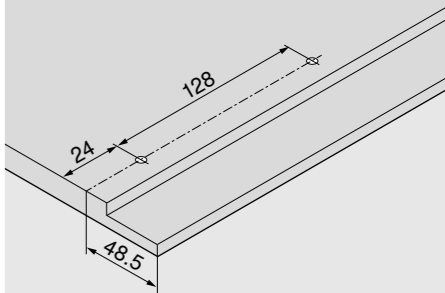
Chipboard back	B (mm)
Height	101
Drawer base	A (mm)
Chipboard back	NL - 10
Rebate dimensions	C



KB	Cabinet width
LW	Internal cabinet width
NL	Nominal length

Drilling dimensions

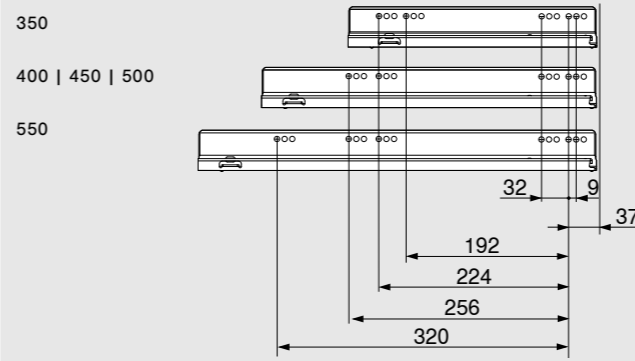
Drawer base



Hole spacing – Cabinet profiles

Cabinet profile 750 – 40 kg

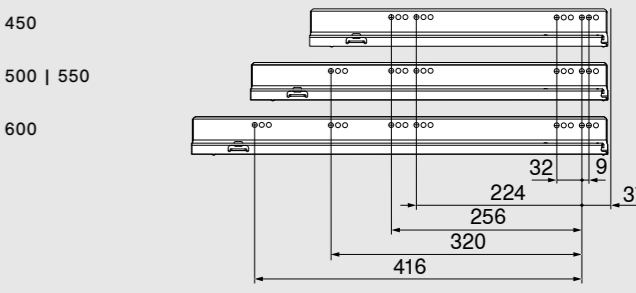
Nominal length NL (mm)



Hole spacing – Cabinet profiles

Cabinet profile 753 – 70 kg

Nominal length NL (mm)

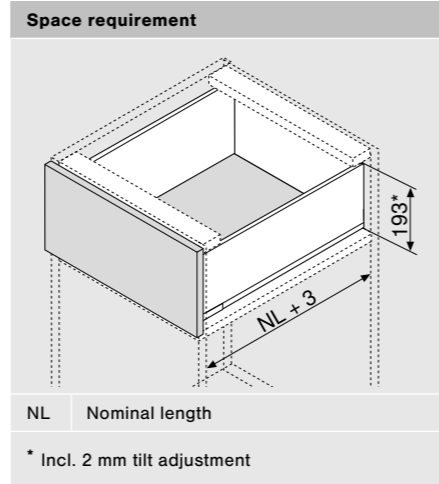


Internal cabinet depth LT min. = nominal length NL + 3 mm

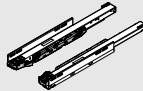
High fronted pull-out – height C

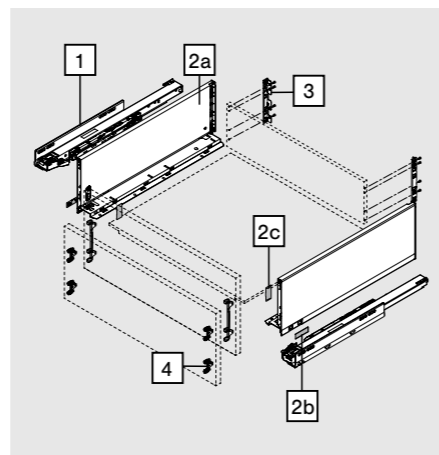


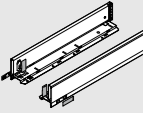
- Includes integrated, switchable BLUMOTION S for soft and effortless closing and can be combined with SERVO-DRIVE or TIP-ON BLUMOTION
- Three-dimensional front adjustment in the drawer side



Ordering information

1	Cabinet profiles left/right		
	Nominal length NL (mm)	BLUMOTION S	
		40 kg	70 kg
	350	750.3501S	
	400	750.4001S	
	450	750.4501S	753.4501S
	500	750.5001S	753.5001S
	550	750.5501S	753.5501S
	600		753.6001S



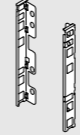
2	Drawer side set				
	Height of drawer side (mm)	90.5			
	Nominal length NL (mm)	SW-M	OG-M	CS-M	INGL
	350	770M3502S			
	400	770M4002S			770M4002I
	450	770M4502S			770M4502I
	500	770M5002S			770M5002I
	550	770M5502S			770M5502I
	600	770M6002S			


Consisting of:

2a	1 x	Left/right drawer sides
2b	2 x	Branding element, embossed with Blum logo, custom printed from 1000 pcs
2c	2 x	Cover caps

LEGRABOX design options for customised drawer side designs – see page 62


Ordering information

3	Chipboard back fixings left/right					
	Material	Height	SW-M	OG-M	CS-M	NI
	Steel	C	ZB7C000S			

4	Front fixing bracket				
	Fixing method				
	EXPANDO		4 x	ZF7M70E2	
	EXPANDO T		4 x	ZF7M70T2	
	Screw-on		4 x	ZF7M7002	

EXPANDO T suitable for thin fronts – see page 72

Accessories

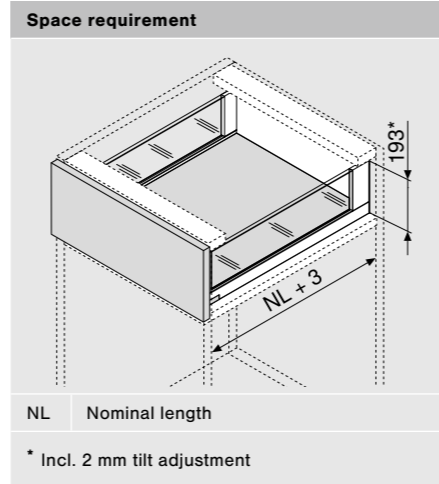
-	Fixing screw (pan head screw)			
	Ø (mm)	Length (mm)		
	4	15	For connecting chipboard back fixings to chipboard back and drawer sides to drawer base	61D.1500

In order to achieve optimal assembly, we recommend that you use pan head screws for the chipboard back and drawer side

High fronted pull-out – height C

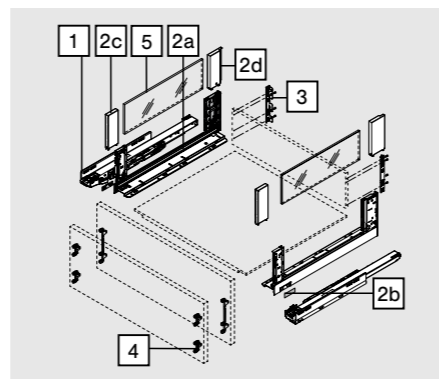


- Large side design element
- Includes integrated, switchable BLUMOTION S for soft and effortless closing and can be combined with SERVO-DRIVE or TIP-ON BLUMOTION
- Three-dimensional front adjustment in the drawer side



Ordering information

1	Cabinet profiles left/right		
	Nominal length NL (mm)	BLUMOTION S	
		40 kg	70 kg
	450	750.4501S	753.4501S
	500	750.5001S	753.5001S
	550	750.5501S	753.5501S



2	Drawer side set				
	Height of drawer side (mm)	177			
	Nominal length NL (mm)	SW-M	OG-M	CS-M	INGL
		450		780C4502S	
	500		780C5002S		780C5002I
	550		780C5502S		780C5502I

Consisting of:

2a	1 x	Left/right drawer sides
2b	2 x	Branding element, embossed with Blum logo, custom printed from 1000 pcs
2c	2 x	BOXCOVER front
2d	1 x	BOXCOVER back left/right

LEGRABOX design options for customised drawer side designs – see page 62

3	Chipboard back fixings left/right					
	Material	Height	SW-M	OG-M	CS-M	NI
	Steel	C		ZB7C000S		

Ordering information

4	Front fixing bracket		
	Fixing method		
	EXPANDO	4 x	ZF7M70E2
	EXPANDO T	4 x	ZF7M70T2
	Screw-on	4 x	ZF7M7002

EXPANDO T suitable for thin fronts – see page 72

5	Glass design element (side)		
	Nominal length NL (mm)	Material	Colour
	450	Glass	Clear
	500		
	550		

Consisting of:

5	2 x	Glass design element
---	-----	----------------------

In the case of other nominal lengths NL, cut the next longest design element to size accordingly
For cut-to-size dimension see page 29

Accessories

-	Transportation lock – design element (side)		
	Material	Colour	
	Nylon	Yellow	780C0009

For transporting pre-assembled design element (side)

-	Fixing screw (pan head screw)		
	Ø (mm)	Length (mm)	
	4	15	For connecting chipboard back fixings to chipboard back and drawer sides to drawer base 61D.1500

In order to achieve optimal assembly, we recommend that you use pan head screws for the chipboard back and drawer side

Planning

Space requirements in the cabinet

* + 1 mm if cabinet profile is installed before cabinet assembly
** Incl. 2 mm tilt adjustment

Front drilling distances for EXPANDO/EXPANDO T

4
* + 1 mm if cabinet profile is installed before cabinet assembly
** min. 6 mm for EXPANDO T

Front installation dimensions for screw-on assembly

FA	Front overlay
* + 1 mm if cabinet profile is installed before cabinet assembly	
** Alternative 4a	

Back installation dimensions

Planning

Cutting dimensions for 16 mm chipboard

Chipboard back	B (mm)
Height	148
Drawer base	A (mm)
Chipboard back	NL - 10
Rebate dimensions	C

KB	Cabinet width
LW	Internal cabinet width
NL	Nominal length

Drilling dimensions

Drawer base

Hole spacing – Cabinet profiles

Cabinet profile 750 – 40 kg

Nominal length NL (mm)

450 | 500

550

Hole spacing – Cabinet profiles

Cabinet profile 753 – 70 kg

Nominal length NL (mm)

450

500 | 550

600

Internal cabinet depth LT min. = nominal length NL + 3 mm

Cutting – design element

Design element	X (mm)	Y (mm)
Side	NL - 112	138
NL	Nominal length	

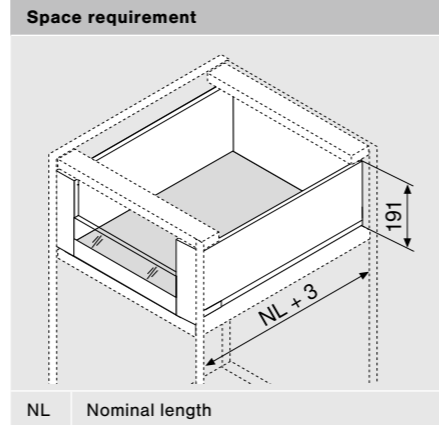
The given dimensions in combination with LEGRABOX do not require "impact testing for vertically installed glass parts" (as per standard DIN EN 14749 dated June 2016). No safety glass is required to comply with the standard. The edge is a polished flat edge with a 1 mm ± 0.5 mm bevel.

Front piece with design element

Inner pull-out – height C

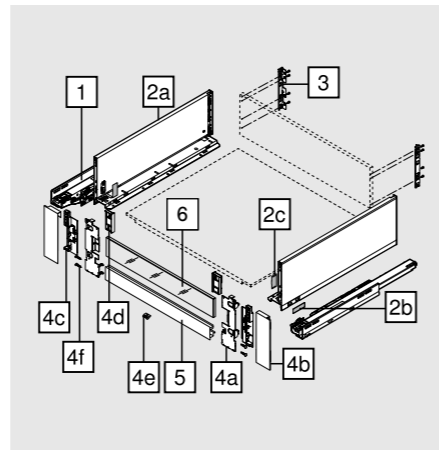


- Inner pull-out with a high or low design element
- Includes integrated, switchable BLUMOTION S for soft and effortless closing and can be combined with SERVO-DRIVE or TIP-ON BLUMOTION
- Three-dimensional front adjustment in the drawer side



Ordering information

1	Cabinet profiles left/right		
	Nominal length NL (mm)	BLUMOTION S	
		40 kg	70 kg
	350	750.3501S	
	400	750.4001S	
	450	750.4501S	753.4501S
	500	750.5001S	753.5001S
	550	750.5501S	753.5501S
	600		753.6001S



2		Drawer side set				
	Height of drawer side (mm)	177				
	Nominal length NL (mm)	SW-M	OG-M	CS-M	INGL	
	350	770C3502S				
	400	770C4002S			770C4002I	
	450	770C4502S			770C4502I	
	500	770C5002S			770C5002I	
	550	770C5502S			770C5502I	
	600	770C6002S				

Consisting of:

2a	1 x	Left/right drawer sides
2b	2 x	Branding element, embossed with Blum logo, custom printed from 1000 pcs
2c	2 x	Cover caps

LEGRABOX design options for customised drawer side designs – see page 62

Front piece with design element

Ordering information

3		Chipboard back fixings left/right				
	Material	Height	SW-M	OG-M	CS-M	NI
	Steel	C	ZB7C000S			

4		Front piece set			
	Material	SW-M	OG-M	CS-M	INGL
	Steel	Z17.2CS0			
Anti-fingerprint				Z17.2CI0	

Consisting of:

4a	1 x	Front fixing left/right
4b	1 x	External cover caps left/right
4c	1 x	Internal cover caps left/right
4d	1 x	Adapter piece for low design element left/right
4e	1 x	Locking piece
4f	4 x	Screws

5		Front piece with groove			
	Length	SW-M	OG-M	CS-M	ELEO
	1043	ZV7.1043MN1			

Suitable for cabinet width KB 1200 mm

Cutting: Internal cabinet width LW - 126 mm

6		Glass design element (for inner pull-out front)		
	Material	Colour	Low design element	High design element
	Glass	Clear		
			Cabinet side panel thickness (mm)	
			15/16	15/16
	Cabinet width (mm)			
600		ZE7V488G	ZE7W488G	
900		ZE7V788G	ZE7W788G	
1200		ZE7V1088G	ZE7W1088G	

Consisting of:

6	1 x	Glass design element
---	-----	----------------------

In the case of other cabinet widths KB, cut the next longest design element to size accordingly

For cut-to-size dimension see page 35

Accessories

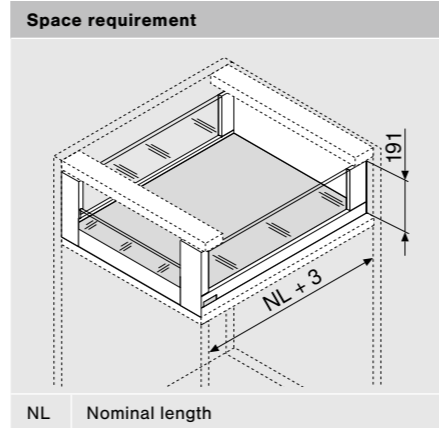
-		Fixing screw (pan head screw)	
	Ø (mm)	Length (mm)	
	4	15	For connecting chipboard back fixings to chipboard back and drawer sides to drawer base

61D.1500

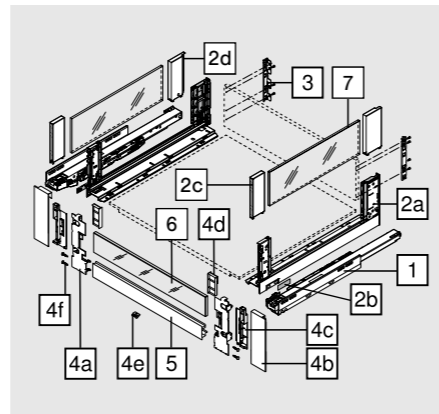
In order to achieve optimal assembly, we recommend that you use pan head screws for the chipboard back and drawer side

Front piece with design element
Inner pull-out – height C


- Large side design element
- Inner pull-out with a high or low design element
- Includes integrated, switchable BLUMOTION S for soft and effortless closing and can be combined with SERVO-DRIVE or TIP-ON BLUMOTION
- Three-dimensional front adjustment in the drawer side


Ordering information

1	Cabinet profiles left/right		
	Nominal length NL (mm)	BLUMOTION S	
		40 kg	70 kg
	450	750.4501S	753.4501S
	500	750.5001S	753.5001S
	550	750.5501S	753.5501S



2	Drawer side set				
	Height of drawer side (mm)	177			
	Nominal length NL (mm)	SW-M	OG-M	CS-M	INGL
	450		780C4502S		780C4502I
	500		780C5002S		780C5002I
	550		780C5502S		780C5502I

Consisting of:

2a	1 x	Left/right drawer sides
2b	2 x	Branding element, embossed with Blum logo, custom printed from 1000 pcs
2c	2 x	BOXCOVER front
2d	1 x	BOXCOVER back left/right

LEGRABOX design options for customised drawer side designs – see page 62

Front piece with design element
Ordering information

3	Chipboard back fixings left/right					
	Material	Height	SW-M	OG-M	CS-M	NI
	Steel	C			ZB7C000S	

4	Front piece set				
	Material	SW-M	OG-M	CS-M	INGL
	Steel		ZI7.2CS0		
	Anti-fingerprint				ZI7.2CI0

Consisting of:

4a	1 x	Front fixing left/right
4b	1 x	External cover caps left/right
4c	1 x	Internal cover caps left/right
4d	1 x	Adapter piece for low design element left/right
4e	1 x	Locking piece
4f	4 x	Screws

5	Front piece with groove				
	Length (mm)	SW-M	OG-M	CS-M	ELEO
	1043			ZV7.1043MN1	

Suitable for cabinet width KB 1200 mm

Cutting: Internal cabinet width LW - 126 mm

6	Glass design element (for inner pull-out front)			
	Material	Colour	Low design element	High design element
	Glass	Clear		
	Cabinet side panel thickness (mm)			
			15/16	15/16
	Cabinet width (mm)			
	600		ZE7V488G	ZE7W488G
	900		ZE7V788G	ZE7W788G
	1200		ZE7V1088G	ZE7W1088G

Consisting of:

6	1 x	Glass design element
----------	-----	----------------------

In the case of other cabinet widths KB, cut the next longest design element to size accordingly

For cut-to-size dimension see page 35

Front piece with design element

Ordering information

7 Glass design element (side)			
	Nominal length NL (mm)	Material	Colour
	450	Glass	Clear
	500		
	550		
Consisting of:			
7	2 x	Glass design element	
In the case of other nominal lengths NL, cut the next longest design element to size accordingly			
For cut-to-size dimension see page 35			

Accessories

- Transportation lock – design element (side)			
	Material	Colour	
	Nylon	Yellow	780C0009
For transporting pre-assembled design element (side)			

- Fixing screw (pan head screw)			
	Ø (mm)	Length (mm)	
	4	15	For connecting chipboard back fixings to chipboard back and drawer sides to drawer base
			61D.1500
In order to achieve optimal assembly, we recommend that you use pan head screws for the chipboard back and drawer side			

Planning

Space requirements in the cabinet

* + 1 mm if cabinet profile is installed before cabinet assembly

Back installation dimensions

Front piece with design element

Planning

Cutting dimensions for 16 mm chipboard

Chipboard back	B (mm)
Height	148
Drawer base	A (mm)
Chipboard back	NL - 10
Rebate dimensions	C

KB Cabinet width
LW Internal cabinet width
NL Nominal length

Drilling dimensions

Drawer base

Hole spacing – Cabinet profiles

Cabinet profile 750 – 40 kg

Nominal length NL (mm)

450 | 500
550

Hole spacing – Cabinet profiles

Cabinet profile 753 – 70 kg

Nominal length NL (mm)

450
500 | 550
600

Internal cabinet depth LT min. = nominal length NL + 3 mm

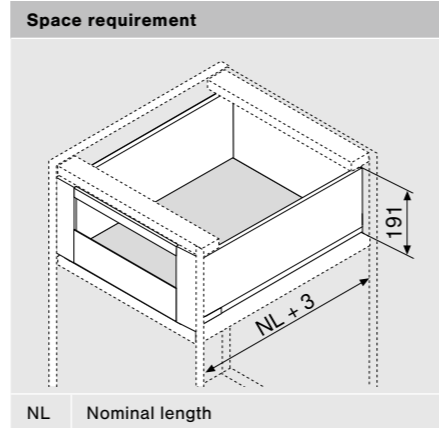
Cutting – design element

Design element	X (mm)	Y (mm)
Low	LW - 80	70
High	LW - 80	138
Side	NL - 112	138
LW	Internal cabinet width	
NL	Nominal length	

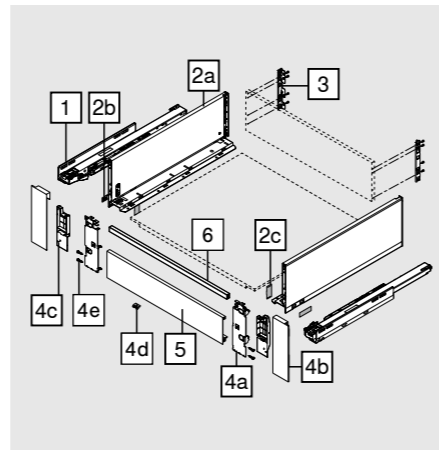
The given dimensions in combination with LEGRABOX do not require "impact testing for vertically installed glass parts" (as per standard DIN EN 14749 dated June 2016). No safety glass is required to comply with the standard. The edge is a polished flat edge with a 1 mm ± 0.5 mm bevel.

Front piece with gallery
Inner pull-out – height C


- Inner pull-out with gallery
- Includes integrated, switchable BLUMOTION S for soft and effortless closing and can be combined with SERVO-DRIVE or TIP-ON BLUMOTION
- Three-dimensional front adjustment in the drawer side


Ordering information

1	Cabinet profiles left/right		
	Nominal length NL (mm)	BLUMOTION S	
		40 kg	70 kg
	350	750.3501S	
	400	750.4001S	
	450	750.4501S	753.4501S
	500	750.5001S	753.5001S
	550	750.5501S	753.5501S
600		753.6001S	



2	Drawer side set					
	Height of drawer side (mm)	177	SW-M	OG-M	CS-M	INGL
	Nominal length NL (mm)					
	350		770C3502S			
	400		770C4002S			770C4002I
	450		770C4502S			770C4502I
	500		770C5002S			770C5002I
	550		770C5502S			770C5502I
600		770C6002S				

Consisting of:

2a	1 x	Left/right drawer sides
2b	2 x	Branding element, embossed with Blum logo, custom printed from 1000 pcs
2c	2 x	Cover caps

LEGRABOX design options for customised drawer side designs – see page 62

Front piece with gallery
Ordering information

3	Chipboard back fixings left/right					
	Material	Height	SW-M	OG-M	CS-M	NI
	Steel	C				ZB7C000S

4	Front piece set				
	Material	SW-M	OG-M	CS-M	INGL*
	Steel				ZI7.3CS0
	Anti-fingerprint				ZI7.3CI0

Consisting of:

4a	1 x	Front fixing left/right
4b	1 x	External cover caps left/right
4c	1 x	Internal cover caps left/right
4d	1 x	Locking piece
4e	4 x	Screws

5	Front piece without groove				
	Length (mm)	SW-M	OG-M	CS-M	ELEO
	1043				ZV7.1043C01

Suitable for cabinet width KB 1200 mm

Cutting: Internal cabinet width LW - 126 mm

6	Cross gallery				
	Length (mm)	SW-M	OG-M	CS-M	ELEO
	1080				ZR7.1080U

Suitable for cabinet width KB 1200 mm

Cutting: Internal cabinet width LW - 90 mm

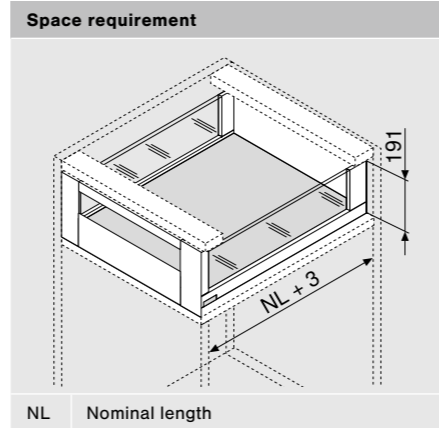
Accessories

-	Fixing screw (pan head screw)		
	Ø (mm)	Length (mm)	
	4	15	For connecting chipboard back fixings to chipboard back and drawer sides to drawer base
			61D.1500

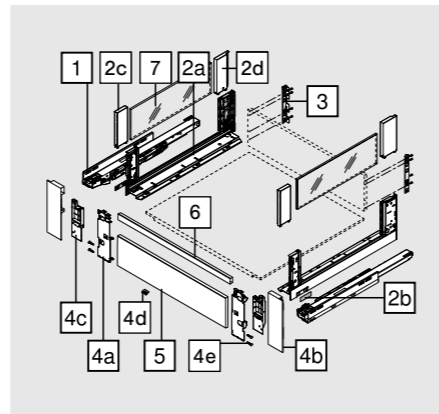
In order to achieve optimal assembly, we recommend that you use pan head screws for the chipboard back and drawer side

Front piece with gallery
Inner pull-out – height C


- Large side design element
- Inner pull-out with gallery
- Includes integrated, switchable BLUMOTION S for soft and effortless closing and can be combined with SERVO-DRIVE or TIP-ON BLUMOTION
- Three-dimensional front adjustment in the drawer side


Ordering information

1	Cabinet profiles left/right		
	Nominal length NL (mm)	BLUMOTION S	
		40 kg	70 kg
	450	750.4501S	753.4501S
	500	750.5001S	753.5001S
550	750.5501S	753.5501S	



2	Drawer side set				
	Height of drawer side (mm)	177			
	Nominal length NL (mm)	SW-M	OG-M	CS-M	INGL
	450		780C4502S		780C4502I
	500		780C5002S		780C5002I
	550		780C5502S		780C5502I

Consisting of:

2a	1 x	Left/right drawer sides
2b	2 x	Branding element, embossed with Blum logo, custom printed from 1000 pcs
2c	2 x	BOXCOVER front
2d	1 x	BOXCOVER back left/right

LEGRABOX design options for customised drawer side designs – see page 62

Front piece with gallery
Ordering information

3	Chipboard back fixings left/right					
	Material	Height	SW-M	OG-M	CS-M	NI
	Steel	C	ZB7C000S			

4	Front piece set				
	Material	SW-M	OG-M	CS-M	INGL
	Steel	ZI7.3CS0			
	Anti-fingerprint				ZI7.3CI0

Consisting of:

4a	1 x	Front fixing left/right
4b	1 x	External cover caps left/right
4c	1 x	Internal cover caps left/right
4d	1 x	Locking piece
4e	4 x	Screws

5	Front piece without groove				
	Length (mm)	SW-M	OG-M	CS-M	ELEO
	1043	ZV7.1043C01			

Suitable for cabinet width KB 1200 mm

Cutting: Internal cabinet width LW - 126 mm

6	Cross gallery				
	Length (mm)	SW-M	OG-M	CS-M	ELEO
	1080	ZR7.1080U			

Suitable for cabinet width KB 1200 mm

Cutting: Internal cabinet width LW - 90 mm

7	Glass design element (side)			
	Nominal length NL (mm)	Material	Colour	
	450	Glass	Clear	
	500			
	550			

Consisting of:

7	2 x	Glass design element
---	-----	----------------------

In the case of other nominal lengths NL, cut the next longest design element to size accordingly

For cut-to-size dimension see page 41

Front piece with gallery
Ordering information
Accessories

Transportation lock – design element (side)			
	Material	Colour	
	Nylon	Yellow	780C0009
For transporting pre-assembled design element (side)			

Fixing screw (pan head screw)			
	Ø (mm)	Length (mm)	
	4	15	For connecting chipboard back fixings to chipboard back and drawer sides to drawer base
61D.1500			
In order to achieve optimal assembly, we recommend that you use pan head screws for the chipboard back and drawer side			

Planning

Space requirements in the cabinet

* + 1 mm if cabinet profile is installed before cabinet assembly

Back installation dimensions

Front piece with gallery
Planning

Cutting dimensions for 16 mm chipboard

Chipboard back		B (mm)
Height		148
Drawer base		A (mm)
Chipboard back		NL - 10
Rebate dimensions		C

KB	Cabinet width
LW	Internal cabinet width
NL	Nominal length

Hole spacing – Cabinet profiles

Cabinet profile 750 – 40 kg

Nominal length NL (mm)

450 500	
550	

Hole spacing – Cabinet profiles

Cabinet profile 753 – 70 kg

Nominal length NL (mm)

450	
500 550	

Internal cabinet depth LT min. = nominal length NL + 3 mm

Cutting – design element

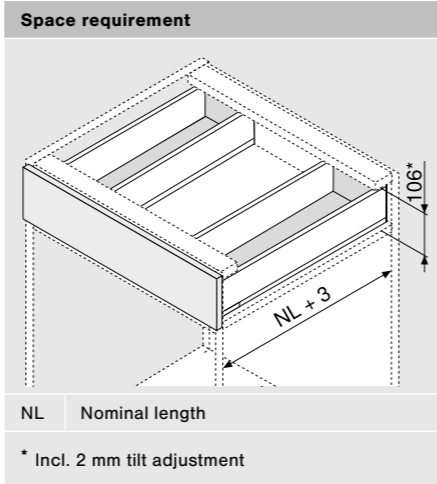
Design element		X (mm)	Y (mm)
Side		NL - 112	138
NL	Nominal length		

The given dimensions in combination with LEGRABOX do not require "impact testing for vertically installed glass parts" (as per standard DIN EN 14749 dated June 2016). No safety glass is required to comply with the standard. The edge is a polished flat edge with a 1 mm ± 0.5 mm bevel.

Sink pull-out – height M



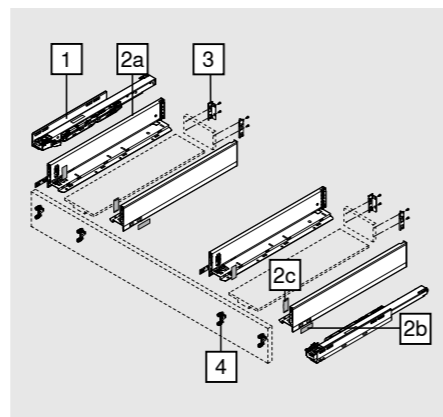
- Suitable for LEGRABOX pure and LEGRABOX free
- Includes integrated, switchable BLUMOTION S for soft and effortless closing action, can be combined with SERVO-DRIVE
- Three-dimensional front adjustment in the drawer side



Ordering information

1	Cabinet profiles left/right	
Nominal length NL (mm)	BLUMOTION S	
350	750.3501S	
400	750.4001S	
450	750.4501S	
500	750.5001S	
550	750.5501S	
600	750.6001S	

* Synchronisation not possible



2	Drawer side set				
Nominal length NL (mm)	Height of drawer side (mm)				
		90.5	SW-M	OG-M	CS-M
350	770M3502S				
400	770M4002S				770M4002I
450	770M4502S				770M4502I
500	770M5002S				770M5002I
550	770M5502S				770M5502I
600	770M6002S				

Consisting of:

2a	1 x	Left/right drawer sides
2b	2 x	Branding element, embossed with Blum logo, custom printed from 1000 pcs
2c	2 x	Cover caps

LEGRABOX design options for customised drawer side designs – see page 62

Ordering information

3	Chipboard back fixings left/right					
Material	Height		SW-M	OG-M	CS-M	NI
	Steel	M	2 x	ZB7M000S		

4	Front fixing bracket				
Fixing method					
	EXPANDO			4 x	ZF7M70E2
	EXPANDO T			4 x	ZF7M70T2
Screw-on			4 x	ZF7M7002	

EXPANDO T suitable for thin fronts – see page 72

Accessories

-	Fixing screw (pan head screw)			
Ø (mm)	Length (mm)			
	4	15	For connecting chipboard back fixings to chipboard back and drawer sides to drawer base	

In order to achieve optimal assembly, we recommend that you use pan head screws for the chipboard back and drawer side

Planning

Space requirements in the cabinet

*	+ 1 mm if cabinet profile is installed before cabinet assembly
**	Incl. 2 mm tilt adjustment

Front drilling distances for EXPANDO/EXPANDO T

*	+ 1 mm if cabinet profile is installed before cabinet assembly
**	min. 6 mm for EXPANDO T

Front installation dimensions for screw-on assembly

FA	Front overlay
*	+ 1 mm if cabinet profile is installed before cabinet assembly

Back installation dimensions

Planning

Cutting dimensions for 16 mm chipboard

Chipboard back	B (mm)
Height	63
Drawer base	A (mm)
Chipboard back	NL - 10
Rebate dimensions	C

Y min. (mm)	115
Y max. (mm)	155
KB	Cabinet width
LW	Internal cabinet width
NL	Nominal length
SPW	Internal width between sink drawer sides

Drilling dimensions

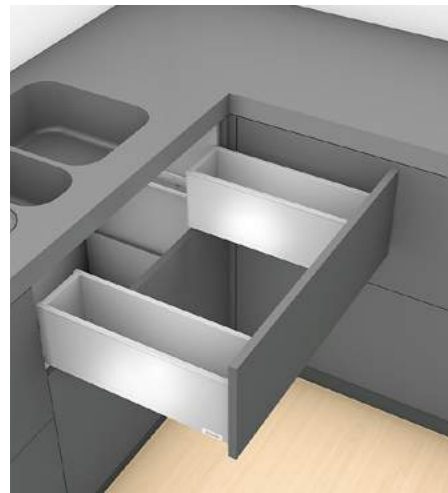
Drawer base

Hole spacing – Cabinet profiles

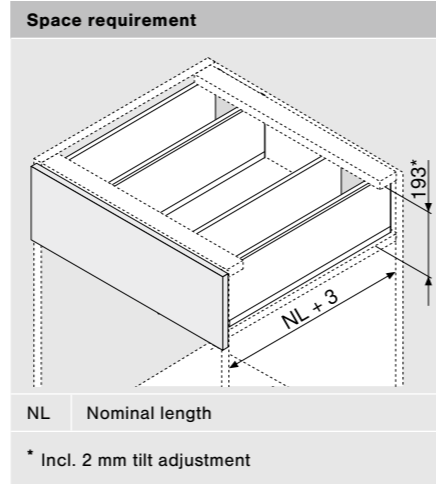
Cabinet profile 750 – 40 kg

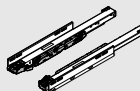
Nominal length NL (mm)

Internal cabinet depth LT min. = nominal length NL + 3 mm

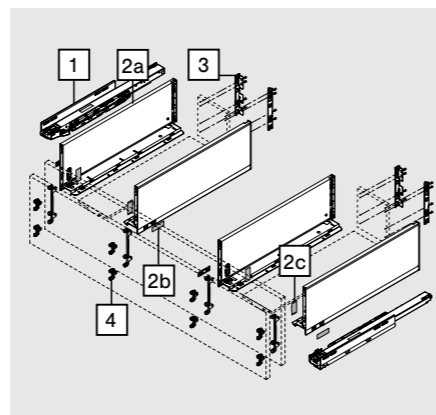
Sink pull-out – height C


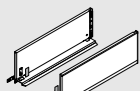
- Includes integrated, switchable BLUMOTION S for soft and effortless closing action, can be combined with SERVO-DRIVE
- Three-dimensional front adjustment in the drawer side


Ordering information

1	Cabinet profiles left/right	
 Nominal length NL (mm)	BLUMOTION S	
350	750.3501S	
400	750.4001S	
450	750.4501S	
500	750.5001S	
550	750.5501S	
600	750.6001S	

* Synchronisation not possible



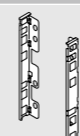
2	Drawer side set				
 Height of drawer side (mm)	177				
	Nominal length NL (mm)	SW-M	OG-M	CS-M	INGL
350	2 x	770C3502S			770C3502I
400	2 x	770C4002S			770C4002I
450	2 x	770C4502S			770C4502I
500	2 x	770C5002S			770C5002I
550	2 x	770C5502S			770C5502I
600	2 x	770C6002S			770C6002I


Consisting of:

2a	1 x	Left/right drawer sides
2b	2 x	Branding element, embossed with Blum logo, custom printed from 1000 pcs
2c	2 x	Cover caps

LEGRABOX design options for customised drawer side designs – see page 62


Ordering information

3	Chipboard back fixings left/right						
	Material	Height		SW-M	OG-M	CS-M	NI
		Steel	C	2 x	ZB7C000S		

4	Front fixing bracket				
	Fixing method				
	EXPANDO			8 x	ZF7M70E2
	EXPANDO T			8 x	ZF7M70T2
	Screw-on			8 x	ZF7M7002

EXPANDO T suitable for thin fronts – see page 72

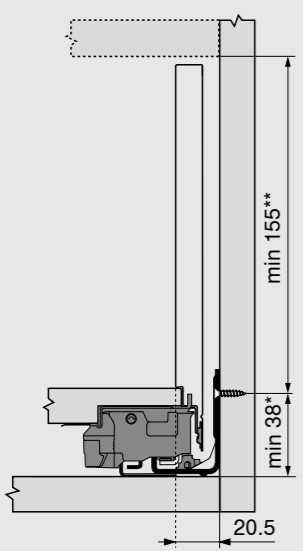
Accessories

-	Fixing screw (pan head screw)		
	Ø (mm)	Length (mm)	
		4	15

In order to achieve optimal assembly, we recommend that you use pan head screws for the chipboard back and drawer side

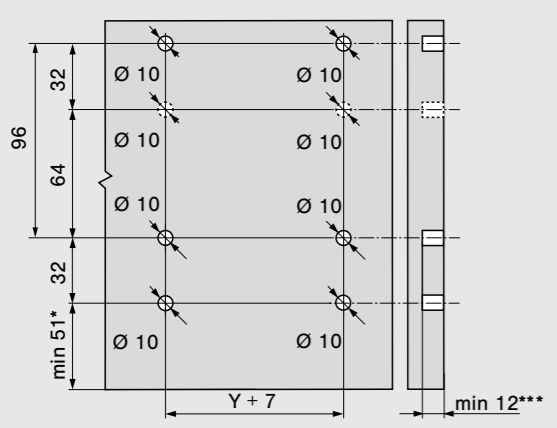
Planning

Space requirements in the cabinet



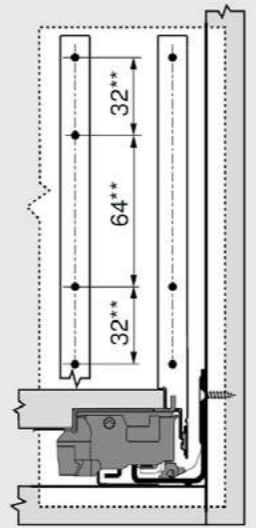
*	+ 1 mm if cabinet profile is installed before cabinet assembly
**	Incl. 2 mm tilt adjustment

Front drilling distances for EXPANDO/EXPANDO T



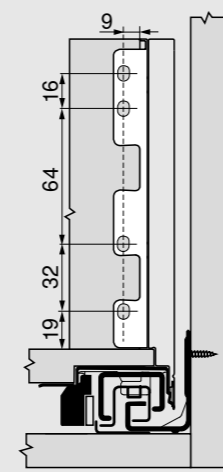
*	+ 1 mm if cabinet profile is installed before cabinet assembly
***	min. 6 mm for EXPANDO T

Front installation dimensions for screw-on assembly



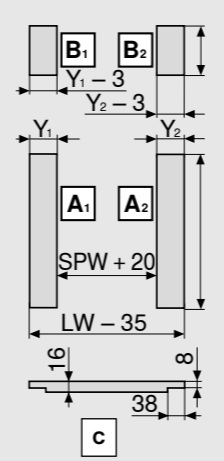
FA	Front overlay
*	+ 1 mm if cabinet profile is installed before cabinet assembly
**	Alternative 4a

Back installation dimensions

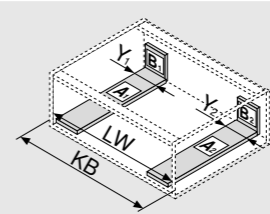


Planning

Cutting dimensions for 16 mm chipboard



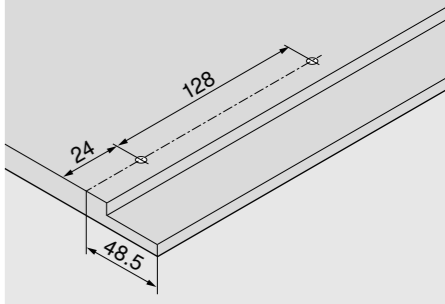
Chipboard back	B (mm)
Height	148
Drawer base	A (mm)
Chipboard back	NL - 10
Rebate dimensions	C



Y min. (mm)	115
Y max. (mm)	155
KB	Cabinet width
LW	Internal cabinet width
NL	Nominal length
SPW	Internal width between sink drawer sides

Drilling dimensions

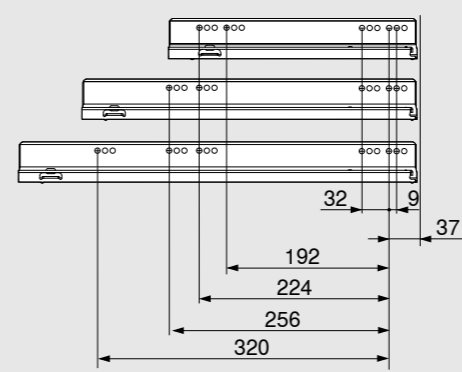
Drawer base



Hole spacing – Cabinet profiles

Cabinet profile 750 – 40 kg

Nominal length NL (mm)

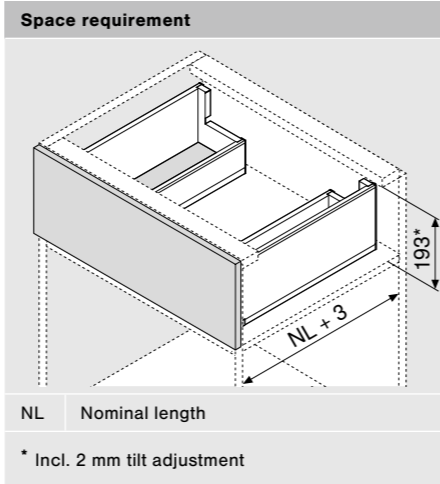


Internal cabinet depth LT min. = nominal length NL + 3 mm

Sink pull-out – height C



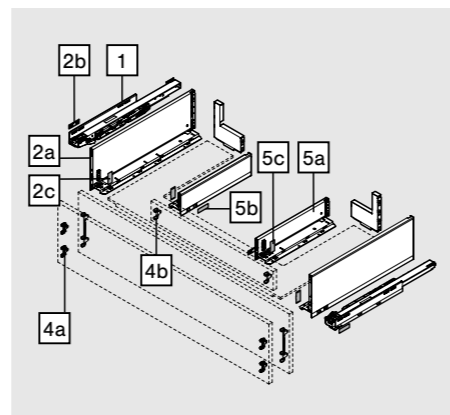
- With centre piece for optimal use of storage space
- Can be implemented with standard components
- Includes integrated, switchable BLUMOTION S for soft and effortless closing, can be combined with SERVO-DRIVE or TIP-ON BLUMOTION
- Three-dimensional front adjustment in the drawer side

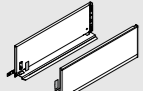


Ordering information

1	Cabinet profiles left/right		
	Nominal length NL (mm)	BLUMOTION S	
		40 kg	70 kg
	450	750.4501S	753.4501S
	500	750.5001S	753.5001S
	550	750.5501S	753.5501S
	600	750.6001S	753.6001S

For ordering information for TIP-ON BLUMOTION sink pull-out, see page 111




2	Drawer side set (outer side)				
	Height of drawer side (mm)	177			
	Nominal length NL (mm)	SW-M	OG-M	CS-M	INGL
	450		770C4502S		770C4502I
	500		770C5002S		770C5002I
	550		770C5502S		770C5502I
	600		770C6002S		770C6002I

Consisting of:


2a	1 x	Left/right drawer sides
2b	2 x	Branding element, embossed with Blum logo, custom printed from 1000 pcs
2c	2 x	Cover caps

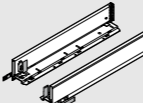
LEGRABOX design options for customised drawer side designs – see page 62

Ordering information

4a	Front fixing bracket		
	Fixing method		
	EXPANDO	4 x	ZF7M70E2
	EXPANDO T	4 x	ZF7M70T2
	Screw-on	4 x	ZF7M7002

EXPANDO T suitable for thin fronts – see page 72

4b	Front fixing bracket		
	Fixing method		
	EXPANDO	2 x	ZF7M70E2
	Screw-on	2 x	ZF7M7002

5	Drawer side set (inner side)				
	Height of drawer side (mm)	90.5			
	Nominal length NL (mm)	SW-M	OG-M	CS-M	INGL
	350		770M3502S		770M3502I
	400		770M4002S		770M4002I
	450		770M4502S		770M4502I
	500		770M5002S		770M5002I

Consisting of:

5a	1 x	Left/right drawer sides
5b	2 x	Branding element, embossed with Blum logo, custom printed from 1000 pcs
5c	2 x	Cover caps

LEGRABOX design options for customised drawer side design – see page 64

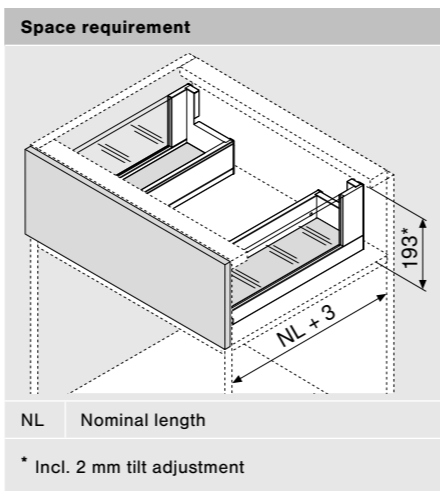
For effective use of storage space, we recommend:

Nominal length NL of outer sides - nominal length NL of inner drawer sides = min. 150 mm

Sink pull-out – height C



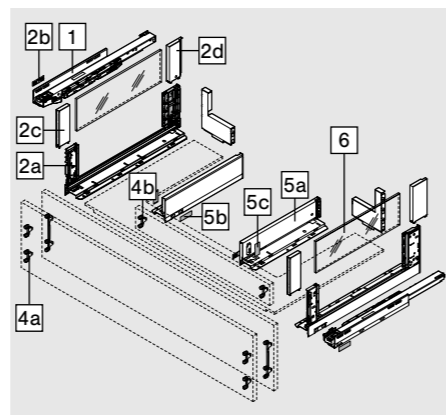
- With centre piece for optimal use of storage space
- Can be implemented with standard components
- Includes integrated, switchable BLUMOTION S for soft and effortless closing, can be combined with SERVO-DRIVE or TIP-ON BLUMOTION
- Three-dimensional front adjustment in the drawer side



Ordering information

1	Cabinet profiles left/right		
	Nominal length NL (mm)	BLUMOTION S	
		40 kg	70 kg
	450	750.4501S	753.4501S
	500	750.5001S	753.5001S
	550	750.5501S	753.5501S

For ordering information for TIP-ON BLUMOTION sink pull-out, see page 111



2	Drawer side set				
	Height of drawer side (mm)	177			
	Nominal length NL (mm)	SW-M	OG-M	CS-M	INGL
	450		780C4502S		780C4502I
	500		780C5002S		780C5002I
	550		780C5502S		780C5502I
	600		780C6002S		780C6002I

Consisting of:

2a	1 x	Left/right drawer sides
2b	2 x	Branding element, embossed with Blum logo, custom printed from 1000 pcs
2c	2 x	BOXCOVER front
2d	1 x	BOXCOVER back left/right

LEGRABOX design options for customised drawer side designs – see page 62

Ordering information

4a	Front fixing bracket		
	Fixing method		
	EXPANDO	4 x	ZF7M70E2
	EXPANDO T	4 x	ZF7M70T2
	Screw-on	4 x	ZF7M7002

EXPANDO T suitable for thin fronts – see page 72

4b	Front fixing bracket		
	Fixing method		
	EXPANDO	2 x	ZF7M70E2
	Screw-on	2 x	ZF7M7002

5	Drawer side set (inner side)				
	Height of drawer side (mm)	90.5			
	Nominal length NL (mm)	SW-M	OG-M	CS-M	INGL
	350		770M3502S		770M3502I
	400		770M4002S		770M4002I
	450		770M4502S		770M4502I
	500		770M5002S		770M5002I

Consisting of:

5a	1 x	Left/right drawer sides
5b	2 x	Branding element, embossed with Blum logo, custom printed from 1000 pcs
5c	2 x	Cover caps

LEGRABOX design options for customised drawer side design – see page 64

For effective use of storage space, we recommend:
Nominal length NL of outer sides - nominal length NL of inner drawer sides = min. 150 mm

6	Glass design element (side)		
	Nominal length NL (mm)	Material	Colour
	450	Glass	Clear
	500		
	550		
	600		

Consisting of:

6	2 x	Glass design element
---	-----	----------------------

In the case of other nominal lengths NL, cut the next longest design element to size accordingly
For cut-to-size dimension see page 55

Ordering information

Accessories

Transportation lock – design element (side)			
	Material	Colour	780C0009
	Nylon	Yellow	
For transporting pre-assembled design element (side)			

Fixing screw (pan head screw)			
	Ø (mm)	Length (mm)	For connecting chipboard back fixings to chipboard back and drawer sides to drawer base
	4	15	
61D.1500			

In order to achieve optimal assembly, we recommend that you use pan head screws for the chipboard back and drawer side

Planning

Space requirements in the cabinet

* + 1 mm if cabinet profile is installed before cabinet assembly

** Incl. 2 mm tilt adjustment

Front installation dimensions for screw-on assembly

FA Front overlay

* + 1 mm if cabinet profile is installed before cabinet assembly

** Alternative 4a

Front drilling distances for EXPANDO/EXPANDO T

4a

* + 1 mm if cabinet profile is installed before cabinet assembly

** min. 6 mm for EXPANDO T

Planning

Cutting dimensions for 16 mm chipboard

Centre piece	C (mm)
	62.5

KB	Cabinet width
LW	Internal cabinet width
NL	Nominal length
SPW	Internal width between sink drawer sides
*	+3 mm with ZF7M70E2

Centre piece dimensions

* +1.5 mm with ZF7M70E2

Drilling dimensions

Drawer base

Hole spacing – Cabinet profiles

Cabinet profile 750 – 40 kg

Nominal length NL (mm)

450 500	
550 600	

Hole spacing – Cabinet profiles

Cabinet profile 753 – 70 kg

Nominal length NL (mm)

450	
500 550 600	

Internal cabinet depth LT min. = nominal length NL + 3 mm

Cutting – design element

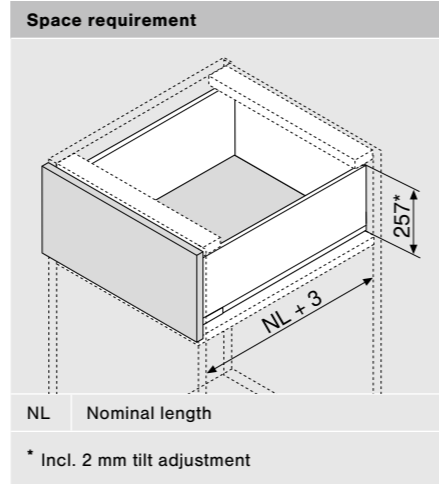
Design element	X (mm)	Y (mm)
Side	NL - 112	138
NL	Nominal length	

The given dimensions in combination with LEGRABOX do not require "impact testing for vertically installed glass parts" (as per standard DIN EN 14749 dated June 2016). No safety glass is required to comply with the standard. The edge is a polished flat edge with a 1 mm ± 0.5 mm bevel.

High fronted pull-out – height F

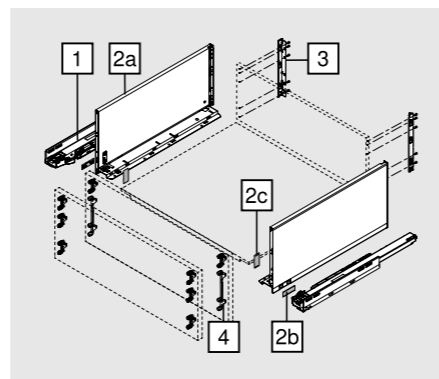


- Includes integrated, switchable BLUMOTION S for soft and effortless closing, can be combined with SERVO-DRIVE or TIP-ON BLUMOTION
- Three-dimensional front adjustment in the drawer side



Ordering information

1	Cabinet profiles left/right		
	Nominal length NL (mm)	BLUMOTION S	
		40 kg	70 kg
	450	750.4501S	753.4501S
	500	750.5001S	753.5001S
	550	750.5501S	753.5501S
	600		753.6001S



2	Drawer side set (outer side)				
	Height of drawer side (mm)	177			
Nominal length NL (mm)	SW-M	OG-M	CS-M	INGL	
	450	770C4502S			
500	770C5002S				
550	770C5502S			770C5502I	
600	770C6002S				

Consisting of:

2a	1 x	Left/right drawer sides
2b	2 x	Branding element, embossed with Blum logo, custom printed from 1000 pcs
2c	2 x	Cover caps

LEGRABOX design options for customised drawer side designs – see page 62

Ordering information

3	Chipboard back fixings left/right					
	Material	Height	SW-M	OG-M	CS-M	NI
	Steel	F	ZB7F000S			

4	Front fixing bracket				
	Fixing method				
	EXPANDO			6 x	ZF7M70E2
	EXPANDO T			6 x	ZF7M70T2
	Screw-on			6 x	ZF7M7002

EXPANDO T suitable for thin fronts – see page 72

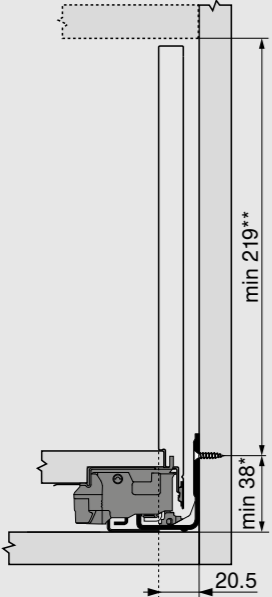
Accessories

-	Fixing screw (pan head screw)			
	Ø (mm)	Length (mm)	For connecting chipboard back fixings to chipboard back and drawer sides to drawer base	
	4	15	61D.1500	

In order to achieve optimal assembly, we recommend that you use pan head screws for the chipboard back and drawer side

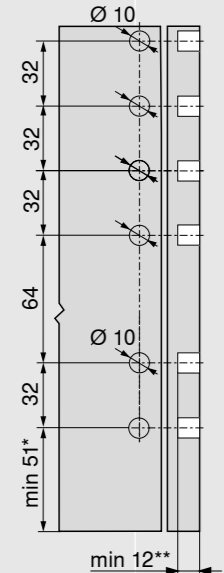
Planning

Space requirements in the cabinet



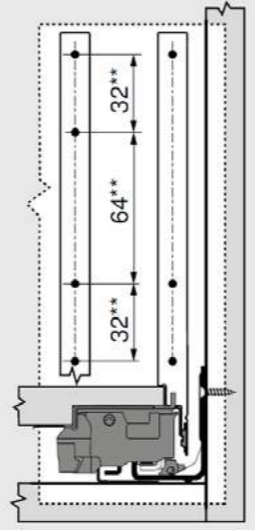
*	+ 1 mm if cabinet profile is installed before cabinet assembly
**	Incl. 2 mm tilt adjustment

Front drilling distances for EXPANDO/EXPANDO T



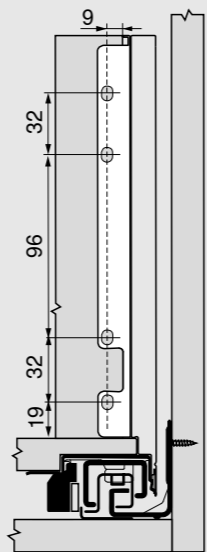
4	
*	+ 1 mm if cabinet profile is installed before cabinet assembly
**	min. 6 mm for EXPANDO T

Front installation dimensions for screw-on assembly



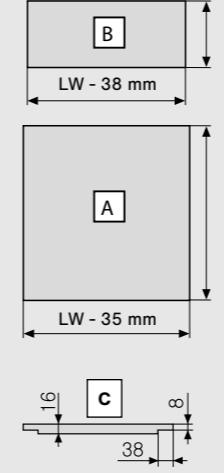
FA	Front overlay
*	+ 1 mm if cabinet profile is installed before cabinet assembly
**	Alternative 4a

Back installation dimensions

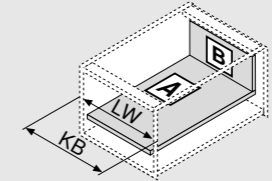


Planning

Cutting dimensions for 16 mm chipboard



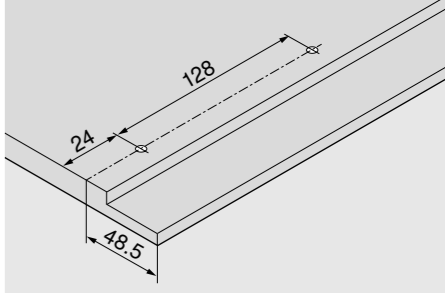
Chipboard back	B (mm)
Height	212
Drawer base	A (mm)
Chipboard back	NL - 10
Rebate dimensions	C



KB	Cabinet width
LW	Internal cabinet width
NL	Nominal length

Drilling dimensions

Drawer base



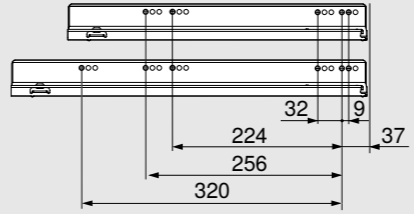
Hole spacing – Cabinet profiles

Cabinet profile 750 – 40 kg

Nominal length NL (mm)

450 | 500

550

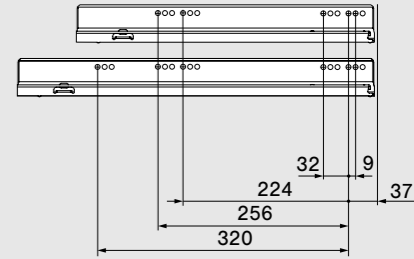


Cabinet profile 753 – 70 kg

Nominal length NL (mm)

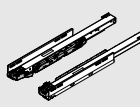
450

500 | 550 | 600

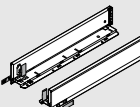


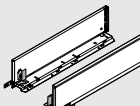
Internal cabinet depth LT min. = nominal length NL + 3 mm

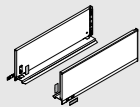
Ordering information for Industrial Packaging

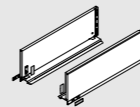
	1 Cabinet profiles left/right	
	Nominal length NL (mm)	BLUMOTION S
		40 kg
		70 kg
500	750.5001S	
550	753.5501S	


For ordering information for TIP-ON BLUMOTION sink pull-out, see page 111


	2 Drawer side M height	
	Height of drawer side (mm)	90.5
	Nominal length NL (mm)	SW-M
	500	770M5002S
550	770M5502S	

	2 Drawer side K height	
	Height of drawer side (mm)	128.5
	Nominal length NL (mm)	SW-M
	500	770K5002S
550	770K5502S	

	2 Drawer side C height	
	Height of drawer side (mm)	177
	Nominal length NL (mm)	SW-M
	500	770C5002S
550	770C5502S	

	2 Drawer side F height	
	Height of drawer side (mm)	241
	Nominal length NL (mm)	SW-M
	500	770F5002S
550	770F5502S	

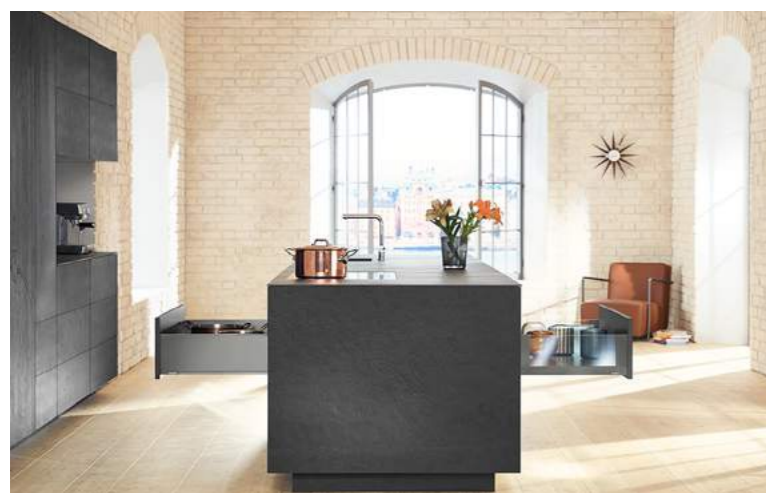
	External branding element	
	Require 2 per drawer	SW-M
		ZA7.0700.BT

	Internal cover cap	
	Require 2 per drawer	SW-M
		ZA7.5700.BT



myLEGRABOX

You have the option of purchasing the LEGRABOX special edition collection in small minimum order quantities, or you can now create your very own designs with LEGRABOX individual. Order decorative elements (outer sides) and drawer sides (inner sides) separately and assemble them in your own workshop in just a few steps. This gives you the freedom and flexibility to manufacture stunning drawer designs exactly as you wish.



LEGRABOX pure and LEGRABOX free

LEGRABOX pure with metal drawer sides and LEGRABOX free with design elements. Customise your pull-out with your own logo as a printed or embossed branding element. Give LEGRABOX free that special added something with your own design elements made of wood or any other material of your choice.



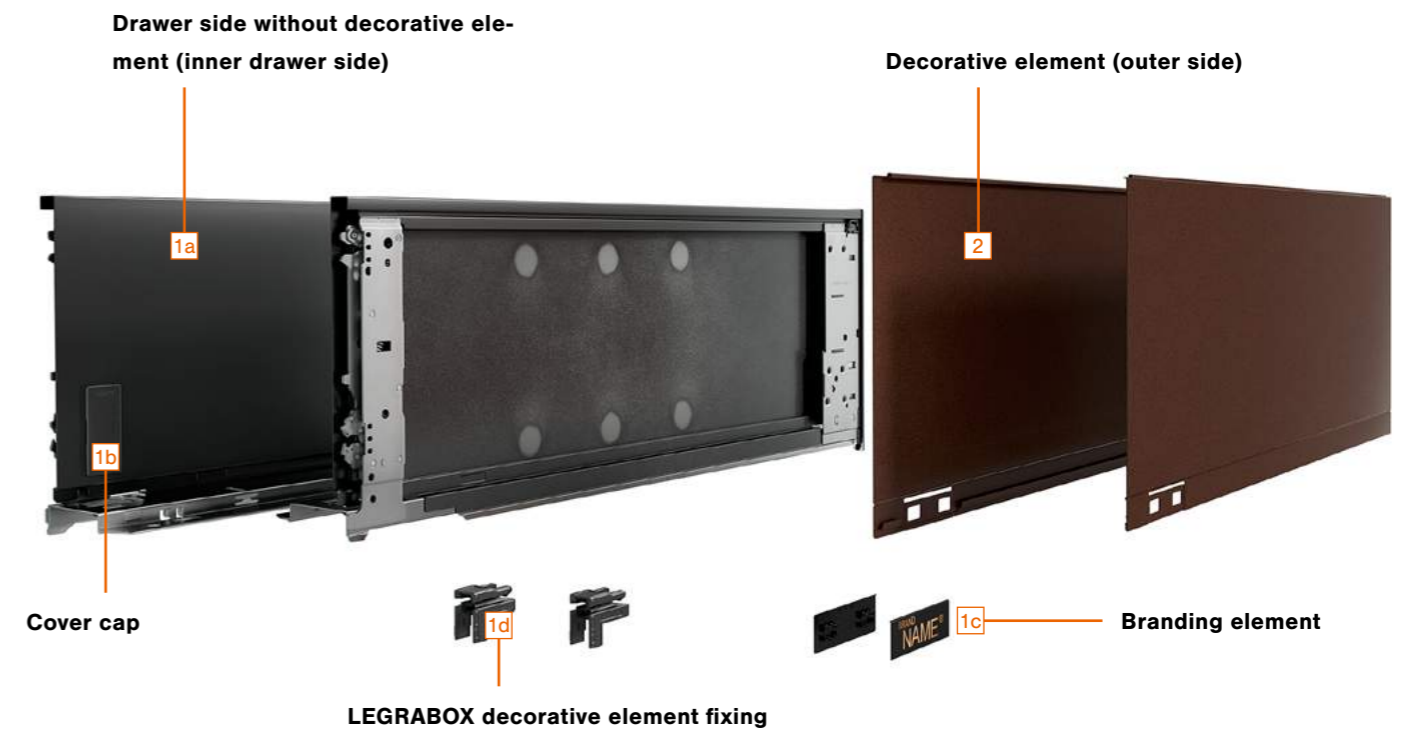
LEGRABOX special edition

LEGRABOX special edition is a collection of stunning, colour coordinated drawer side looks based on the new colour, carbon black matt. It allows you to create amazing material mixes with anti-fingerprint stainless steel, a special 3D carbon look (over the entire drawer side) or a noble rust structured finish. Use the wide range of creative options to produce your very own special design and add a personal touch with custom branding elements.



LEGRABOX individual

LEGRABOX individual lets manufacturers explore their creative side. Be it classic with refined design accents or extravagant, LEGRABOX individual gives you a wealth of creative freedom through which to produce unique designs - by mixing colours and materials or by printing, laser texturing or embossing the decorative element with custom logos and motifs.



Notes: Different terms and conditions apply to the different design levels. Blum checks the feasibility of customised designs.

LEGRABOX special edition – Final assembly on site



- The decorative element (outer side) can be selected in various designs even for minimum order quantities
- The drawer side (inner side) and the decorative element (outer side) are delivered separately and can be combined as desired quickly and easily
- A special collection of stunning drawer side looks

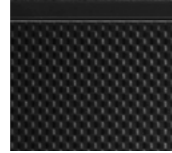
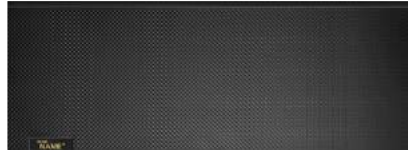
Ordering information



- Drawer side (inner side): Carbon black matt (CS-M)
- Decorative element (outer side): Anti-fingerprint stainless steel (INGL)
With design line and branding element, can be personalised with your own logo



- Drawer side (inner side): Carbon black matt (CS-M)
- Decorative element (outer side): Noble rust (NR)
With design line and branding element, can be personalised with your own logo



- Drawer side (inner side): Carbon black matt (CS-M)
- Decorative element (outer side): Carbon black matt/carbon look (CSCL)
Without design line, with branding element, can be personalised with your own logo

1	Drawer side set (inner side)			
	Colour	CS-M	Drawer side height	
	Nominal length NL (mm)	M	C	
	450	770M4501S	770C4501S	
	500	770M5001S	770C5001S	
	550	770M5501S	770C5501S	

Consisting of:

1a	1 x	Drawer side (inner side) left/right
1b	2 x	Cover caps
1c	2 x	Branding element, embossed with Blum logo
1d	2 x	LEGRABOX decorative element fixing

Ordering information

2		Decorative element (outer side)			
Design line	With design line for branding element				
	Drawer side height	Nominal length NL (mm)	Colour		
			INGL	CSCL ¹	NR
M	450-550	770MxxxAl	770MxxxASGC	770MxxxAS	
C	450-550	770CxxxAl	770CxxxASGC	770CxxxAS	
xxx	Nominal length NL (mm)				
1	Without design line with integrated branding				

Consisting of:

2	1 x	Decorative element (outer side) left/right
---	-----	--

1c		Personalised branding element					
Version	Symmetrical						
Material	Nylon						
Print Embossing	Minimum order quantity (pcs.)	Colour					
		SW-M	OG-M	CS-M	IN-G	KU-G	GO-G
Custom printed	1000 2x	✓	✓	✓	✓	✓	✓
Custom embossed (recessed design)	5000 2x	✓	✓	✓	✓	✓	✓

Accessories

-		Insulation piece			
Colour	Black				
Material	Foam				
Drawer side height	Nominal length NL (mm)				
M	450-550	1	770M0009		
C	450-550		770C0009		

Note
As an option, an insulation piece can be used between the drawer side (inner side) and the decorative element (outer side) to achieve improved noise reduction

Info
Different terms and conditions apply to the different design levels. Blum checks the feasibility of customised designs.

SW-M	Silk white matt	CSCL	Carbon black/carbon look
OG-M	Orion grey matt	NR	Noble rust
CS-M	Carbon black matt	IN-G	In-mould brushed stainless steel
INGL	Anti-fingerprint stainless steel	KU-G	In-mould brushed copper
		GO-G	In-mould brushed gold

LEGRABOX individual – Final assembly on site



- Starting from an increased minimum order quantity, you can equip LEGRABOX individual with your own design or logo
- We would be happy to advise you and check the feasibility of your customised designs – get in touch with your Blum contact or local Blum distributor: blum.com/contacts
- The drawer side (inner side) and the decorative element (outer side) are delivered separately and can be combined as desired quickly and easily
- Design options
Colour mix | Material mix | Printing | Laser texturing | Embossing

Ordering information

LEGRABOX individual – Colour mix	
	<ul style="list-style-type: none"> - Drawer side (inner side): in various colours - Decorative element (outer side): in a range of colours With design line and branding element, can be personalised with your own logo Without design line with integrated branding, can be personalised with your own logo
Illustration	

1a		Drawer side without decorative element (inner drawer side)		Colour		
Drawer side height	Nominal length NL (mm)	SW-M	OG-M	CS-M		
M K C F	270 350 400 450 500 550 600					
X	Drawer side height					
xxx	Nominal length NL (mm)					
Consisting of:						
1a	-	Drawer side without decorative element (inner drawer side)				
Order left and right separately						

2		Decorative element (outer side)		Colour		
Drawer side height	Nominal length NL (mm)	Design line	SW-M	OG-M	CS-M	
M K C F	270 350 400 450 500 550 600	With design line for branding element				
M K C F	270 350 400 450 500 550 600	Without design line with integrated branding				
X	Drawer side height					
xxx	Nominal length NL (mm)					
Consisting of:						
2	-	Decorative element (outer side) left/right				

1b		Internal cover cap		Colour		
Version	Material	Embossing	Minimum order quantity (pcs.)	SW-M	OG-M	CS-M
Symmetrical	Nylon	Blum	1000			
Consisting of:						
1b	-	Internal cover cap				

1d		LEGRABOX decorative element fixing		Colour		
Colour	Material	SW-M	OG-M	CS-M		
Dark grey	Nylon					
Consisting of:						
1d	-	LEGRABOX decorative element fixing				
770.0008						

Ordering information

LEGRABOX individual – Material mix	
	<ul style="list-style-type: none"> - Drawer side (inner side): in various colours - Decorative element (outer side): in anti-fingerprint stainless steel (INGL) With design line and branding element, can be personalised with your own logo Without design line with integrated branding, can be personalised with your own logo
Illustration	

1a		Drawer side without decorative element (inner drawer side)		Colour		
Drawer side height	Nominal length NL (mm)	SW-M	OG-M	CS-M		
M K C F	270 350 400 450 500 550 600					
X	Drawer side height					
xxx	Nominal length NL (mm)					
Consisting of:						
1a	-	Drawer side without decorative element (inner drawer side)				
Order left and right separately						


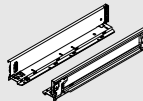
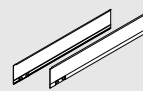

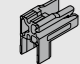
2		Decorative element (outer side)		Colour		
Drawer side height	Nominal length NL (mm)	Design line	SW-M	OG-M	CS-M	
M K C F	270 350 400 450 500 550 600	With design line for branding element				
M K C F	270 350 400 450 500 550 600	Without design line with integrated branding				
X	Drawer side height					
xxx	Nominal length NL (mm)					
Consisting of:						
2	-	Decorative element (outer side) left/right				

1b		Internal cover cap		Colour		
Version	Material	Embossing	Minimum order quantity (pcs.)	SW-M	OG-M	CS-M
Symmetrical	Nylon	Blum	1000			
Consisting of:						
1b	-	Internal cover cap				
ZA7.5700.BT						

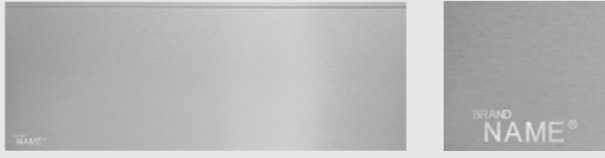
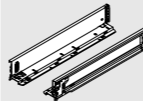
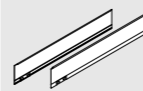

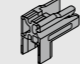
1d		LEGRABOX decorative element fixing		Colour		
Colour	Material	SW-M	OG-M	CS-M		
Dark grey	Nylon					
Consisting of:						
1d	-	LEGRABOX decorative element fixing				
770.0008						

Info			
Different terms and conditions apply to the different design levels. Blum checks the feasibility of customised designs.			
SW-M	Silk white matt	CS-M	Carbon black matt
OG-M	Orion grey matt	INGL	Anti-fingerprint stainless steel

Ordering information

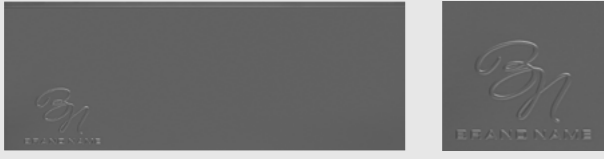
LEGRABOX individual – Printing							
		<ul style="list-style-type: none"> – Colour and material mix possible – Drawer side (inner side): in various colours – Decorative element (outer side): in different colours Without design line, partial or full printing in different colours, with Blum logo, custom logo or individual motifs					
Illustration							
1a Drawer side without decorative element (inner drawer side)							
	Drawer side height	Nominal length NL (mm)	Colour				
	M K C F	270 350 400 450 500 550 600	SW-M	OG-M	CS-M	INGL	
	X	Drawer side height					
xxx	Nominal length NL (mm)						
Consisting of:							
1a	-	Drawer side without decorative element (inner drawer side)					
Order left and right separately							
2 Decorative element (outer side)							
	Drawer side height	Nominal length NL (mm)	Design line	Colour			
	M K C F	270 350 400 450 500 550 600	Without design line with integrated branding	SW-M	OG-M	CS-M	INGL
	X	Drawer side height					
xxx	Nominal length NL (mm)						
Consisting of:							
2	-	Decorative element (outer side) left/right					
1b Internal cover cap							
	Version	Symmetrical					
	Material	Nylon					
	Embossing	Minimum order quantity (pcs.)	Colour				
Blum	1000	SW-M	OG-M	CS-M	INGL		
		ZA7.5700.BT		ZA7.5709.BT			
Consisting of:							
1b	-	Internal cover cap					
1d LEGRABOX decorative element fixing							
	Colour	Dark grey					
	Material	Nylon			770.0008		

Ordering information

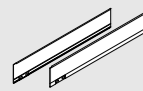
LEGRABOX individual – Laser texturing						
		<ul style="list-style-type: none"> – Drawer side (inner side): in various colours – Decorative element (outer side): in anti-fingerprint stainless steel (INGL) Without design line, partial laser texturing, with Blum logo, custom logo or individual motifs				
Illustration						
1a Drawer side without decorative element (inner drawer side)						
	Drawer side height	Nominal length NL (mm)	Colour			
	M K C F	270 350 400 450 500 550 600	SW-M	OG-M	CS-M	INGL
	X	Drawer side height				
xxx	Nominal length NL (mm)					
Consisting of:						
1a	-	Drawer side without decorative element (inner drawer side)				
Order left and right separately						
2 Decorative element (outer side)						
	Drawer side height	Nominal length NL (mm)	Design line	Colour		
	M K C F	270 350 400 450 500 550 600	Without design line with integrated branding	INGL		
	X	Drawer side height				
xxx	Nominal length NL (mm)					
Consisting of:						
2	-	Decorative element (outer side) left/right				
1b Internal cover cap						
	Version	Symmetrical				
	Material	Nylon				
	Embossing	Minimum order quantity (pcs.)	Colour			
Blum	1000	SW-M	OG-M	CS-M	INGL	
		ZA7.5700.BT		ZA7.5709.BT		
Consisting of:						
1b	-	Internal cover cap				
1d LEGRABOX decorative element fixing						
	Colour	Dark grey				
	Material	Nylon			770.0008	

Info			
Different terms and conditions apply to the different design levels. Blum checks the feasibility of customised designs.			
SW-M	Silk white matt	CS-M	Carbon black matt
OG-M	Orion grey matt	INGL	Anti-fingerprint stainless steel

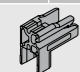
Ordering information

<input type="checkbox"/>	LEGRABOX individual – Embossing
	<ul style="list-style-type: none"> – Colour and material mix possible – Drawer side (inner side): in various colours – Decorative element (outer side): in different colours Without design line, partial embossing, with Blum logo, custom logo or individual motifs
Illustration	

<input type="checkbox"/>	1a	Drawer side without decorative element (inner drawer side)																							
	<table border="1"> <tr> <th rowspan="2">Drawer side height</th> <th rowspan="2">Nominal length NL (mm)</th> <th colspan="3">Colour</th> </tr> <tr> <th>SW-M</th> <th>OG-M</th> <th>CS-M</th> </tr> <tr> <td>M K C F</td> <td>270 350 400 450 500 550 600</td> <td colspan="3" style="background-color: #f96200; color: white; text-align: center;">↪</td> </tr> <tr> <td>X</td> <td>Drawer side height</td> <td colspan="3"></td> </tr> <tr> <td>xxx</td> <td>Nominal length NL (mm)</td> <td colspan="3"></td> </tr> </table>	Drawer side height	Nominal length NL (mm)	Colour			SW-M	OG-M	CS-M	M K C F	270 350 400 450 500 550 600	↪			X	Drawer side height				xxx	Nominal length NL (mm)				
Drawer side height	Nominal length NL (mm)			Colour																					
		SW-M	OG-M	CS-M																					
M K C F	270 350 400 450 500 550 600	↪																							
X	Drawer side height																								
xxx	Nominal length NL (mm)																								
Consisting of:																									
1a	-	Drawer side without decorative element (inner drawer side)																							
Order left and right separately																									

<input type="checkbox"/>	2	Decorative element (outer side)																											
	<table border="1"> <tr> <th rowspan="2">Drawer side height</th> <th rowspan="2">Nominal length NL (mm)</th> <th rowspan="2">Design line</th> <th colspan="3">Colour</th> </tr> <tr> <th>SW-M</th> <th>OG-M</th> <th>CS-M</th> </tr> <tr> <td>M K C F</td> <td>270 350 400 450 500 550 600</td> <td>Without design line with integrated branding</td> <td colspan="3" style="background-color: #f96200; color: white; text-align: center;">↪</td> </tr> <tr> <td>X</td> <td>Drawer side height</td> <td colspan="4"></td> </tr> <tr> <td>xxx</td> <td>Nominal length NL (mm)</td> <td colspan="4"></td> </tr> </table>	Drawer side height	Nominal length NL (mm)	Design line	Colour			SW-M	OG-M	CS-M	M K C F	270 350 400 450 500 550 600	Without design line with integrated branding	↪			X	Drawer side height					xxx	Nominal length NL (mm)					
Drawer side height	Nominal length NL (mm)				Design line	Colour																							
		SW-M	OG-M	CS-M																									
M K C F	270 350 400 450 500 550 600	Without design line with integrated branding	↪																										
X	Drawer side height																												
xxx	Nominal length NL (mm)																												
Consisting of:																													
2	-	Decorative element (outer side) left/right																											

<input type="checkbox"/>	1b	Internal cover cap												
	<table border="1"> <tr> <th>Version</th> <td>Symmetrical</td> </tr> <tr> <th>Material</th> <td>Nylon</td> </tr> <tr> <th rowspan="2">Embossing</th> <th>Minimum order quantity (pcs.)</th> </tr> <tr> <td>Blum</td> <td>1000</td> </tr> <tr> <th colspan="2">Colour</th> </tr> <tr> <td></td> <td style="background-color: #f96200; color: white; text-align: center;">ZA7.5700.BT</td> </tr> </table>	Version	Symmetrical	Material	Nylon	Embossing	Minimum order quantity (pcs.)	Blum	1000	Colour			ZA7.5700.BT	
Version	Symmetrical													
Material	Nylon													
Embossing	Minimum order quantity (pcs.)													
	Blum	1000												
Colour														
	ZA7.5700.BT													
Consisting of:														
1b	-	Internal cover cap												

<input type="checkbox"/>	1d	LEGRABOX decorative element fixing						
	<table border="1"> <tr> <th>Colour</th> <td>Dark grey</td> </tr> <tr> <th>Material</th> <td>Nylon</td> </tr> <tr> <td colspan="2" style="background-color: #f96200; color: white; text-align: center;">770.0008</td> </tr> </table>	Colour	Dark grey	Material	Nylon	770.0008		
Colour	Dark grey							
Material	Nylon							
770.0008								

Info			
Different terms and conditions apply to the different design levels. Blum checks the feasibility of customised designs.			
SW-M	Silk white matt	CSCL	Carbon black/carbon look
OG-M	Orion grey matt	NR	Noble rust
CS-M	Carbon black matt	IN-G	In-mould brushed stainless steel
INGL	Anti-fingerprint stainless steel	KU-G	In-mould brushed copper
		GO-G	In-mould brushed gold

Ordering information

Accessories					
<input type="checkbox"/>	<input type="checkbox"/>	<input type="checkbox"/>	<input type="checkbox"/>	<input type="checkbox"/>	Insulation piece
	Colour	Black			
	Material	Foam			
	Drawer side height	Nominal length NL (mm)			
	M	270–600	1	770M0009	
	K	350–600	1	770K0009	
	C	270–600		770C0009	
	F	270–600		770F0009	

Note


As an option, an insulation piece can be used between the drawer side (inner side) and the decorative element (outer side) to achieve improved noise reduction

















¹ For nominal lengths NL 270–300 mm, the insulation piece must be halved at the perforation

Personalised branding element



- The branding element enables customisation across all LEGRABOX design options
- Select the branding element that best fits your interpretation of LEGRABOX
- We will print or emboss the logo in your desired colour and put it on the drawer side
- Opt for the new metallic finishes and printing in silver, gold or copper to create impressive highlights
- Produce a unique design that underlines the quality of your furniture.

<input type="checkbox"/>	<input type="checkbox"/>	<input type="checkbox"/>	<input type="checkbox"/>	<input type="checkbox"/>	Personalised branding element
	Version	Symmetrical			
	Material	Nylon			
	Printing Embossing	Minimum order quantity (pcs.)	Colour		
	Custom printed	1000 2x	↪		
	Custom embossed (recessed design)	5000 2x			

Design examples				
				
Colour	In-mould brushed gold	In-mould brushed copper	In-mould brushed stainless steel	Orion grey matt
Embossing	Recessed design	Recessed design	Recessed design	Recessed design
				
Colour	In-mould brushed gold	In-mould brushed stainless steel	In-mould brushed stainless steel	Carbon black matt
Printing	Metallic gold	Metallic silver	Black	Metallic gold
				
Colour	Carbon black matt	Orion grey matt	Carbon black matt	Carbon black matt
Printing	Metallic copper	Metallic copper	Metallic silver	White
				
Colour	Silk white matt	Silk white matt	Silk white matt	Silk white matt
Printing	Metallic gold	Metallic silver	Black	Grey

Fixing system for thin fronts – EXPANDO T



- 3 different applications – lift systems | hinge systems | box systems
- Thin fronts of 8 mm or more
- EXPANDO T – pre-assembled fixing system
- Different front materials

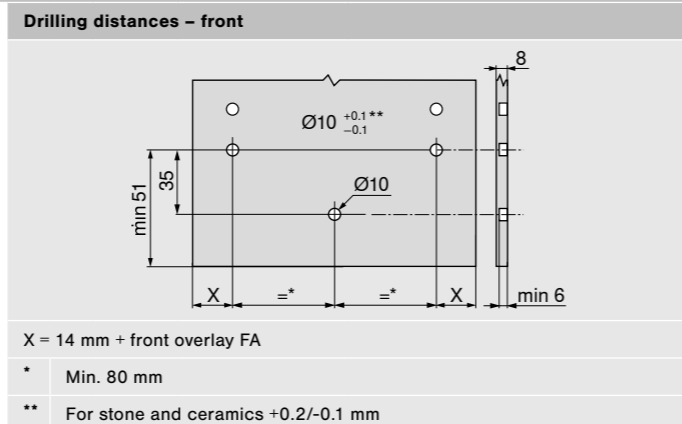
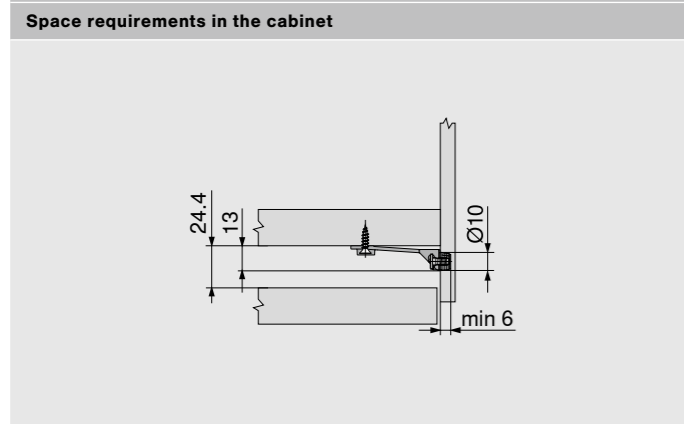
Ordering information

Front fixing bracket		
Height		
N		ZF7N70T2
M		ZF7M70T2
K		ZF7K70T2

Front/base stabiliser			
Fixing method	Colour		
EXPANDO T	RAL 7037 dust grey	Z96.00T1	

- For stabilising wide fronts and drawer bases
 - Reinforces the connection between the drawer base and the front
 - Recommendation:
 Cabinet width KB > 600 mm: 1 pc
 Cabinet width KB > 900 mm: 2 pcs
 Front height FH > 380 mm: 1 pc

Planning



EXPANDO T

Area of application and assembly recommendation

EXPANDO T is suitable for fixing Blum fittings to thin cabinet fronts of all types of materials. Panels can be just 8 mm thick or more, provided they are sufficiently stable and strong.

Materials tested by Blum	Transverse tensile strength (N/mm ²)	Nm
Chipboard	> 0.40	1.5
MDF	> 0.60	1.5
HDF		2
HPL		2
Mineral composites		2
Granite stone – Nero Assoluto		3
Artificial stone – quartz composite		3
Ceramic panels		3
Nm Minimum tightening torque		

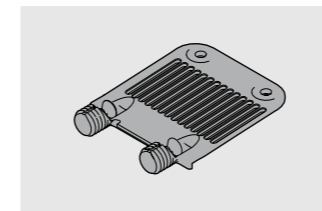
Liability disclaimer

Blum accepts no liability for the use of EXPANDO T in combination with materials not listed or fittings from other manufacturers. It is recommended that assembly be carried out by an experienced furniture manufacturer.



Information on assembly and adjustment
www.blum.com/expando-t-9

Front/base stabiliser



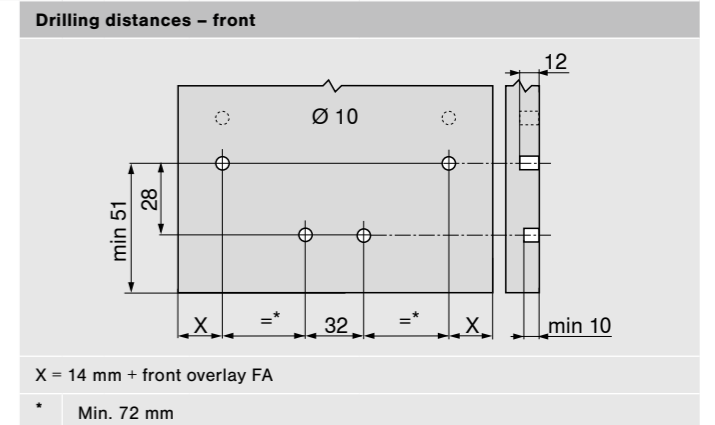
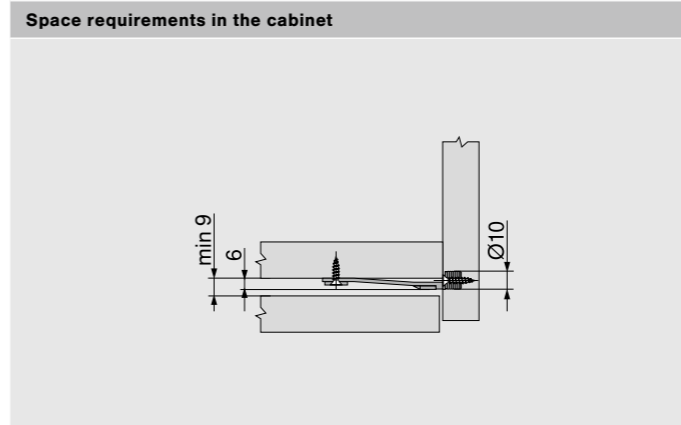
- For supporting wide drawer bases

Ordering information		
Fixing method	Colour	
EXPANDO	RAL 7037 dust grey	Z96.10E1

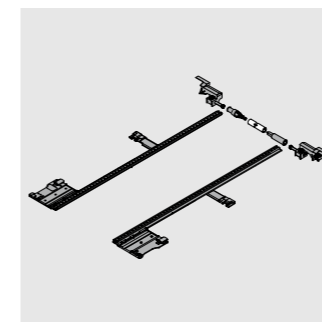
Recommendation

Cabinet width KB > 900 mm: 1 piece

Planning



Side stabiliser



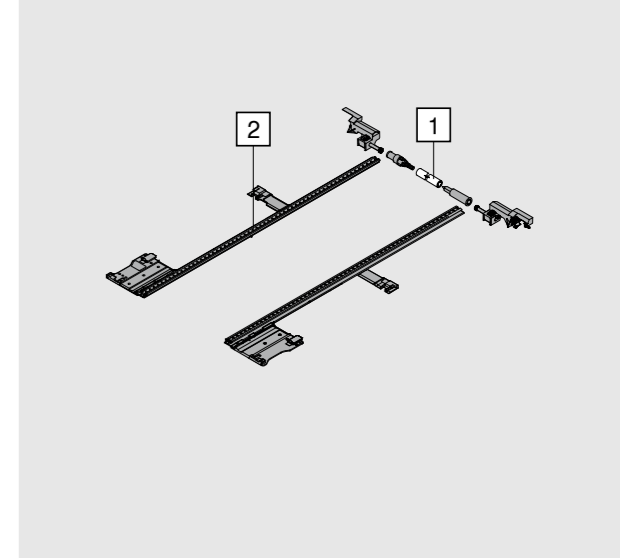
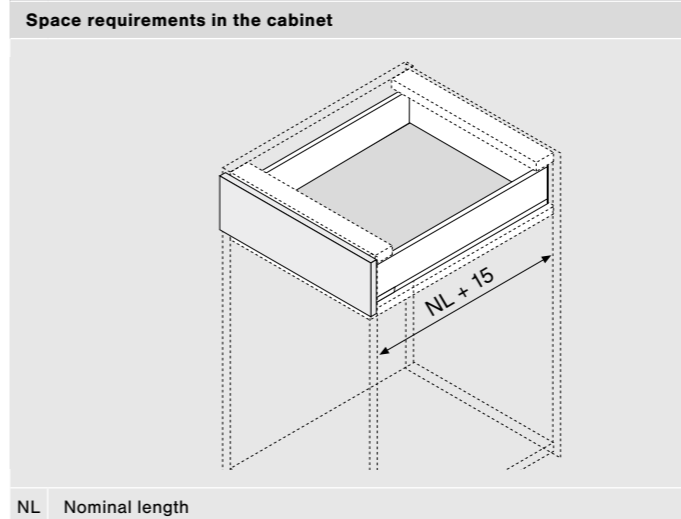
- Additional stabilisation for extra wide pull-outs
- Recommendation: Cabinet width KB 900–1400 mm
- Aluminium rod suitable for cabinet widths up to 1400 mm, for cutting to size
- No additional space requirement at the bottom
- Suitable for use with BLUMOTION, SERVO-DRIVE, TIP-ON BLUMOTION, TIP-ON

Ordering information		
Nominal length NL (mm)		
270–400		ZS7M400LU
450–650		ZS7M650LU

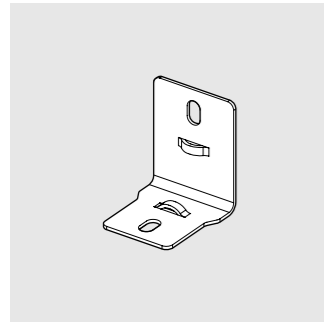
Cutting

1	Internal cabinet width LW - 295 mm
2	Nominal length NL + 10 mm

Planning



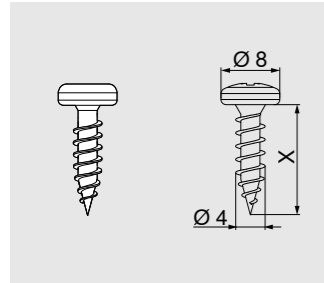
Support bracket



- Used for same size drawer bases for connection with steel and chipboard backs
- Makes it possible to combine a drawer base for steel backs with a chipboard back
- Connection of chipboard back or centre piece and drawer base for more stability

Ordering information	
Support bracket	ZB7A0008

Fixing screw (pan head screw)



- For connecting chipboard back fixings to chipboard back and drawer sides to drawer base
- In order to achieve optimal assembly, we recommend that you use pan head screws for the chipboard back and drawer side
- Ø 4 mm
- Colour: Nickel plated
- Material: Steel

Ordering information	
X (mm)	Ø 4.0 mm
15.0	61D.1500

Centre bit



- Ø 2.7 mm, drill bit length 70 mm
- To pre-drill for 3.5 mm Ø chipboard screws
- Drilling depth up to 8 mm
- Material: Steel, hardened

Ordering information	
Name	
Centre bit	M01.ZZ03.01
Replacement bit	M01.ZZB3

Pozidriv screwdriver



- PZ (Pozi) size 2
- Blade length 100 mm
- Overall length 200 mm
- Handle with Blum logo
- Colour: Black/orange
- Material: Nylon/steel

Ordering information	
Name	
Pozidriv screwdriver	303.756.1

TORX screwdriver



- TORX size 20 (T20)
- Handle with Blum logo
- Material: Nylon/steel
- Colour: Black/orange

Ordering information		
Total length (mm)	Blade length (mm)	
100	35	623.882.2
210	100	209.093.7

Planning

Cabinet profile 750 – 40 kg

Nominal length NL (mm)

NL 270

NL 350

NL 400–500

NL 550

A Chipboard screw Ø 4 x 15 mm

B System screw Ø 6 x 14.5 mm, Part no 661.1450.HG

* Can be replaced with chipboard screw Ø 4 x 15 mm

Cabinet profile 753 – 70 kg

Nominal length NL (mm)

NL 450

NL 500–600

A Chipboard screw Ø 4 x 15 mm

B System screw Ø 6 x 14.5 mm, Part no 661.1450.HG

* Can be replaced with chipboard screw Ø 4 x 15 mm

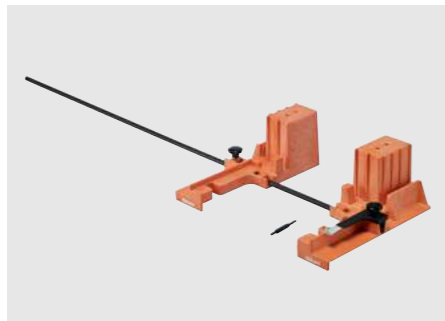
BOXFIX plus



- Pneumatic assembly device for assembling drawers and high fronted pull-outs
- Assembly type: Screws or nails
- Nominal length NL 270–650 mm
- Cabinet width KB 250–1200 mm
- Back heights up to 250 mm (wood and steel)
- Material: Aluminium/steel

Ordering information	
BOXFIX plus	
	ZMM.2500

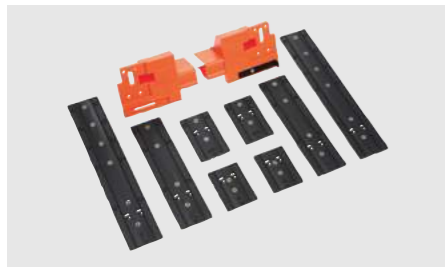
BOXFIX E-L



- Assembly device for drawers and high fronted pull-outs
- Assembly type: Screws
- Nominal length: 270 – 650 mm
- Cabinet width: 250 – 1200 mm
- Back height: up to 250 mm
- Material: Nylon/steel
- BOXFIX for drawer base thicknesses of 18 mm on request

Ordering information	
BOXFIX E-L	
	ZML.0700.01

Marking template for LEGRABOX



- Template for marking the fixing positions of front fixings
- Material: Nylon/steel

Ordering information	
Marking template for LEGRABOX	
	ZML.3710

Drilling template for LEGRABOX base/back



- Template for pre-drilling fixing positions on the drawer base (connection of drawer side to drawer base and back panel to drawer base)
- Template for pre-drilling fixing positions on the chipboard back (connection of chipboard back, chipboard back fixing)
- Material: Nylon/steel

Ordering information	
Drilling template for LEGRABOX base/back	
	ZML.7000

Base router



- For routing the rebate for LEGRABOX drawer bases with precision and ease
- Nominal length: 270 – 650 mm

Ordering information	
Base router	
1050 W	M35.7200
1800 W	M35.7300

MINIPRESS top



- Calculates the precise drilling positions automatically (when combined with EASYSTICK)
- Ruler moves automatically (x-axis) for workpiece dimensions up to 2681 mm
- Vertical drilling unit (y-axis) moves automatically up to 350 mm
- Tool-free drill head clamping technology
- Vertical drilling and optional insertion of Blum fittings
- Optional horizontal drilling
- Quick change of drilling heads already equipped with drill bits
- Vertical drilling and optional insertion of Blum fittings

Ordering information	
MINIPRESS top with EASYSTICK	
	M70E2000

MINIPRESS P



- Allows fixing holes to be drilled for the LEGRABOX front fixing bracket, cabinet profiles, drawer bases and chipboard back fixings

Ordering information	
MINIPRESS P	
	M53.1050*A2

EASYSTICK



- EASYSTICK – the new, automatic and easy to set up ruler system for drilling and insertion machines from Blum
- Tool-free adjustment and digital determination of fixing positions for the LEGRABOX front fixing bracket and cabinet profiles
- Transfer planned data from the Cabinet Configurator directly to EASYSTICK via a USB stick
- The barcode scanner allows you to retrieve and edit imported manufacturing and drilling data

Ordering information	
EASYSTICK	
Ruler	MZD.2000
Computer	MZD.5000

Glass cutter set

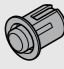

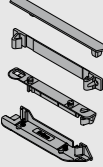
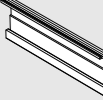
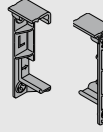
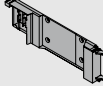
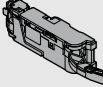


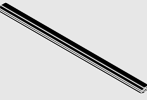
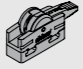

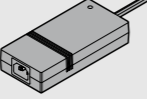

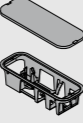
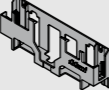
- Cutting tool for cutting glass design elements to the desired size

Ordering information	
Glass cutter set	
	65.8000
Consisting of:	
1 x	Oil glass cutter
1 x	Cutting liquid
1 x	Diamond file

Components

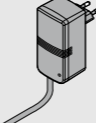
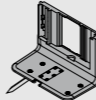
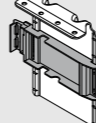
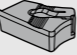
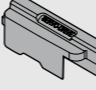
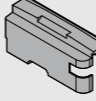
Overview

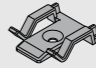
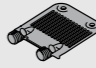

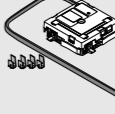


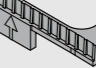
Blum distance bumper		The Blum distance bumper ensures the required trigger path of 2 mm.
Bracket profile		The drive units are attached to the bracket profile.
Bracket profile attachment and bracket profile cover cap		These components are used to attach the bracket profile to a horizontal and/or vertical cross member.
Horizontal bracket profile		The drive unit is attached to the bracket profile using the bracket profile adapter.
Bracket profile attachment		This component is used for attaching the horizontal bracket profile.
Bracket profile adapter for drive unit		The adapter is used to attach the drive unit to the horizontal bracket profile.
Drive unit		The drive unit is supplied with a lever extension. The lever extension must be removed in special applications such as narrow cabinets, so that the drive unit can be installed (see planning information).

SERVO-DRIVE distribution cable for cutting to size		This cable is used to supply the power required by the cabinet units and/or drive units. The max. permissible operating voltage is 24 V. Colour black. Note: This cable must not be directly connected to the mains power outlet.	
Connecting node		This node establishes the electrical connection between the SERVO-DRIVE distribution cable and the bracket profile and/or the SERVO-DRIVE power supply unit.	
Cable end protector		The cable end protector is inserted onto the "open" ends of the cable.	
24-watt SERVO-DRIVE power supply unit		The SERVO-DRIVE power supply unit can be used around the world. It converts the country-specific mains voltage to 24 V direct current. You must use a flex with a regular plug for the respective country depending on the installation location. The SERVO-DRIVE power supply unit can supply power to several drive units, with one unit usually required for the entire kitchen.	
Flex		This cable supplies power to the 24-watt SERVO-DRIVE power supply unit. Country-specific plugs are available.	
Power supply unit housing	Base fixing		The "base fixing" power supply unit housing securely accommodates the SERVO-DRIVE power supply unit on the cabinet base panel.
Power supply unit housing	Panel fixing		Use the "panel fixing" power supply unit housing if the SERVO-DRIVE power supply unit is to be attached to the wall or a vertical panel.

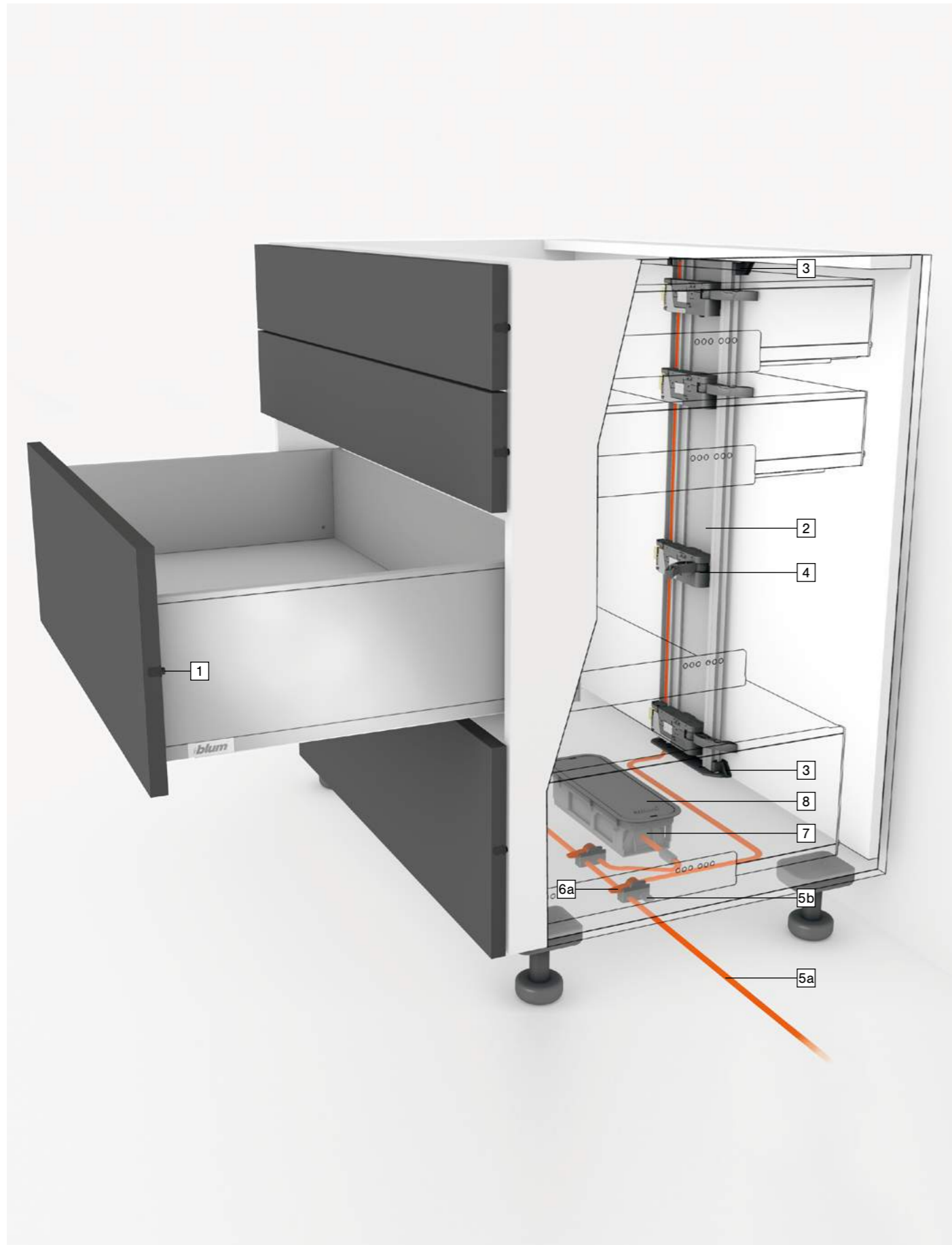
Components

Overview

12-watt SERVO-DRIVE plug-in power supply unit		The SERVO-DRIVE plug-in power supply unit supplies power to a single drive unit (individual applications).	
Attachment bracket 1 tier		You can use attachment brackets if single pull-outs are to be operated or if the installation situation does not permit a continuous bracket profile.	
Upper attachment bracket with pre-mounted adapter for drive unit		The drive unit is fixed to the pre-mounted adapter on the upper attachment bracket.	
Lever cap		Prevents collision with the LEGRABOX steel back from height M with an internal cabinet width LW of 267–286 mm.	
Accessories	Drip protection feature for attachment bracket 1 tier		The drip protection feature prevents water from penetrating the drive unit. Suitable for applications with an attachment bracket 1 tier.
Drip protection feature for horizontal applications		The drip protection feature prevents water from penetrating the drive unit. Suitable for applications with a horizontal bracket profile.	

Accessories	Cable holder		The cable holder allows you to route the SERVO-DRIVE distribution cable safely and neatly.
Front/base stabiliser		Stabilises wide drawer bases. Reinforces the connection between base and front.	
Synchronisation cable		The synchronisation cable allows you to synchronise two interconnected drive units.	
COMBOX		Prevents front collisions when using SERVO-DRIVE in corner applications. Compatible with drive units Z10A3000.02 onwards	
Communication cable		Connects drive units that need to open simultaneously.	
Assembly device		No pre-drilling required, self-adhesive. For positioning the SERVO-DRIVE uno unit.	
Transport protection		Serves to protect the SERVO-DRIVE uno set during transportation. Remove before use.	

Standard cabinet with horizontal and vertical cross members



Standard cabinet with horizontal and vertical cross members

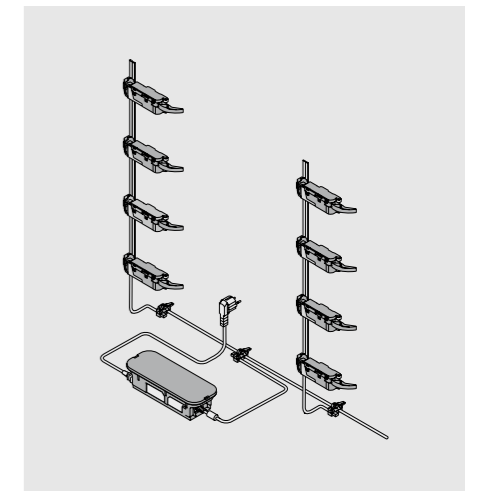
Product



Description

- Electrical opening support system in combination with BLUMOTION for soft and effortless closing
- With vertical bracket profile
- No fixed connection between the drive unit and pull-out
- Pull-outs need not be modified
- Tool-free assembly
- Simple cabling
- Shallow installation depth

Cabling



Ordering information

1	Blum distance bumper		
	Ø (mm)	5	993.0530
Up to front height 300 mm, use 2 pcs			
From front height 300 mm, use 4 pcs			
For 70 kg LEGRABOX cabinet profile, use 4 pcs			

2	Bracket profile		
	Length (mm)		
	670		Z10T670AA
	750		Z10T750AA
	1170	-	Z10T1170A

Aluminium for cutting to size

Cutting Internal cabinet height LH - 10 mm

	With cable
-	Without cable

3	Bracket profile attachment top/bottom		
	Horizontal cross member		
	Colour	Material	
	R7037	Nylon	Z10D01E0.01

Alternative

-	Bracket profile attachment bottom/back		
	Vertical cross member		
	Colour	Material	
	R7037	Nylon	Z10D01EA.01

Incl. bracket profile cover cap

4	Drive unit		
	Colour	Material	
	R7037	Nylon	Z10A3000.03

Includes pre-assembled lever extension

Colour	
R7037	RAL 7037 dust grey
S	Black

Standard cabinet with horizontal and vertical cross members

Ordering information

5	SERVO-DRIVE distribution cable and cable end protector		
	Colour	Length (m)	Z10K800AE
	S	8	
Consisting of:			
5a	1 x	SERVO-DRIVE distribution cable	
5b	5 x	Cable end protector	
Can be used as a distribution, bracket profile and communications cable			
For cutting to size			

6	Connecting node and cable end protector		
	Colour	Material	Z10V100E.01
	S	Nylon	
Consisting of:			
6a	1 x	Connecting node	
5b	2 x	Cable end protector	

7	24-watt SERVO-DRIVE power supply unit		
	D	Z10NE030D	
Includes operating and installation instructions			
Without flex			
Language package			
D	EN, ES, FR, IT, PT	J	JA
Language descriptions as per ISO-639			

-	Flex		
	Market	Z10M200K	
	AU		
Length 2 m, incl. plug			
¹ Without plug			

8	Power supply unit housing		
	Base fixing	Z10NG000	
	Colour	Material	
	R7037	Nylon	
Includes cover			
For 24-watt SERVO-DRIVE power supply unit			

Alternative

-	Power supply unit housing		
	Panel fixing	Z10NG120	
	Colour	Material	
	WGR	Nylon	
For 24-watt SERVO-DRIVE power supply unit			

Accessories

-	Cable holder		
	Colour	Material	Z10K0009
	W	Nylon	
E.g. for fixing the SERVO-DRIVE distribution cable			

-	Front/base stabiliser		
	Colour	Material	Z96.10E1
	R7037	Nylon	

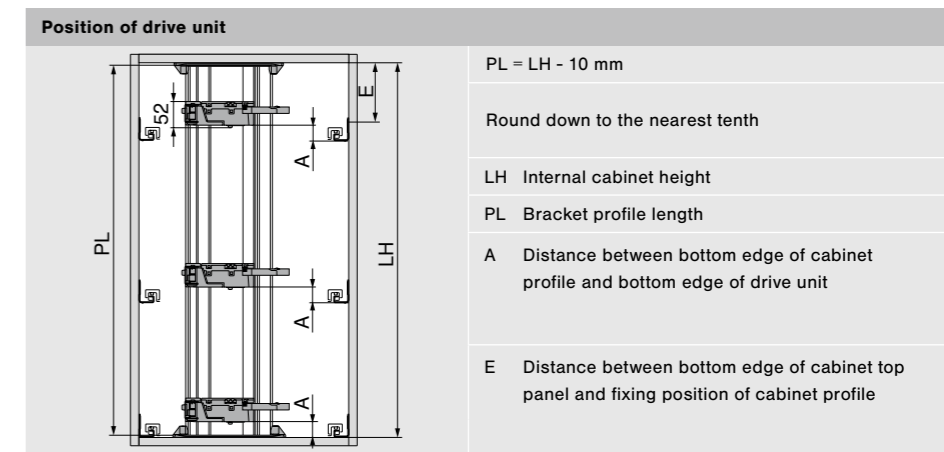
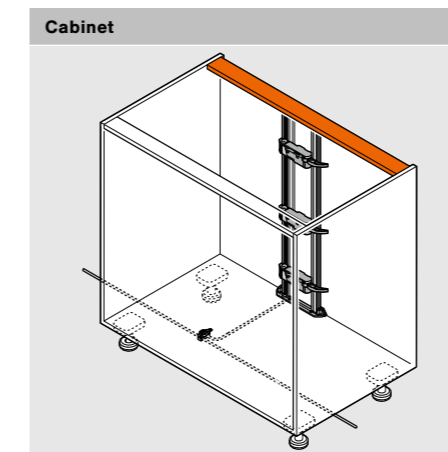
-	Synchronisation cable		
	Length (mm)	Z10K008S	
	80		
	1200	Z10K120S	
Connects two drive units that need to open simultaneously			

-	COMBOX set		
	Colour	Material	Z10ZC00A
	S	Nylon	
Prevents front collisions when using SERVO-DRIVE in corner applications			
Compatible with drive units Z10A3000.02 onwards			
Can be used in combination with Z10K300A			
Includes all assembly and cabling components			

Colour	
R7037	RAL 7037 dust grey
S	Black
W	White
WGR	White grey

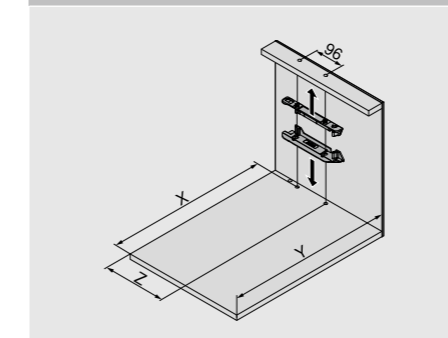
Standard cabinet – horizontal cross member

Planning



Drawer back	Back height	Internal cabinet width LW (mm)							
		242-266		267-286		287-316		≥ 317	
		A (mm)	E min. (mm)	A (mm)	E min. (mm)	A (mm)	E min. (mm)	A (mm)	E min. (mm)
Chipboard back	N	-	-	45	61	45	61	45	61
	M K C F	-	-	45	69	45	69	45	69
A Distance between bottom edge of cabinet profile and bottom edge of drive unit									
E Distance between bottom edge of cabinet top panel and fixing position of cabinet profile									
- Not possible									

Drilling distances – cabinet base | cross member



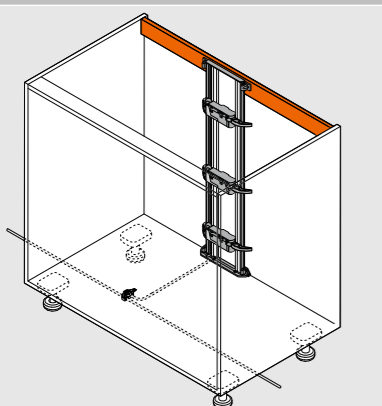
Drawer back	X (mm)	Y (mm)
Chipboard back	NL + 19	NL + 33
NL		
X	Nominal length	
Y	Drilling position	
Z	Min. space requirement	
Offset		
This bracket profile fixing position ensures that both inner pull-outs and pull-outs with overlay fronts can be opened by pushing or pulling		

Drawer back	Back height	Internal cabinet width LW (mm)									
		242-266		267-286		287-316		317-386		≥ 387	
		Z (mm)	H.	Z (mm)	H.	Ha.	Z (mm)	H.	Z (mm)	H.	Z (mm)
Chipboard back	N	-	-	184	-	184	184	184	184	184	LW / 2
	M K C F	-	-	184	-	184	184	184	184	LW / 2	
H. Lever extension Required											
Ha. Lever cap - Not possible											
Z Offset Remove											

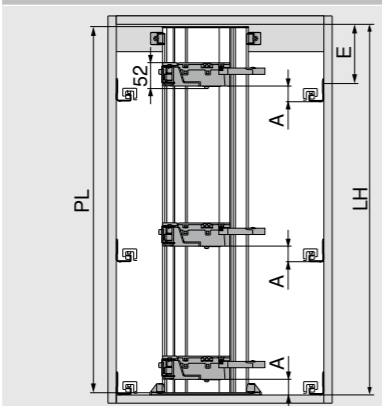
Standard cabinet – vertical cross member

Planning

Cabinet



Position of drive unit



PL = LH - 10 mm

Round down to the nearest tenth

LH Internal cabinet height

PL Bracket profile length

A Distance between bottom edge of cabinet profile and bottom edge of drive unit

E Distance between bottom edge of cabinet top panel and fixing position of cabinet profile

Drive unit position

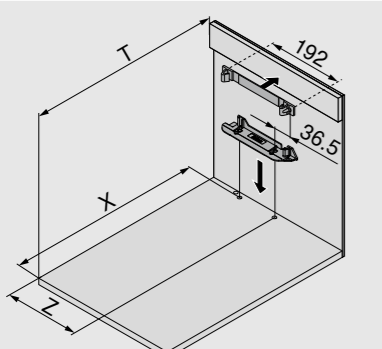
Drawer back	Back height	Internal cabinet width LW (mm)							
		242-266		267-286		287-316		≥ 317	
		A (mm)	E min. (mm)	A (mm)	E min. (mm)	A (mm)	E min. (mm)	A (mm)	E min. (mm)
Chipboard back	N	-	-	45	61	45	61	45	61
	M K C F	-	-	45	69	45	69	45	69

A Distance between bottom edge of cabinet profile and bottom edge of drive unit

E Distance between bottom edge of cabinet top panel and fixing position of cabinet profile

- Not possible

Drilling distances – cabinet base | cross member



Drawer back	X (mm)	D (mm)
Chipboard back	NL + 19	NL + 34
Steel back	NL + 2	NL + 17

NL Nominal length

T Position front edge – cross member

X Drilling position

Z Offset

This bracket profile fixing position ensures that both inner pull-outs and pull-outs with overlay fronts can be opened by pushing or pulling

Drawer back	Back height	Internal cabinet width LW (mm)										
		242-266		267-286			287-316		317-386		≥ 387	
		Z (mm)	H.	Z (mm)	H.	Ha.	Z (mm)	H.	Z (mm)	H.	Z (mm)	H.
Chipboard back	N	-	-	184	-	-	184	-	184	-	LW / 2	-
	M K C F	-	-	184	-	-	184	-	184	-	LW / 2	-

H. Lever extension Required

Ha. Lever cap - Not possible

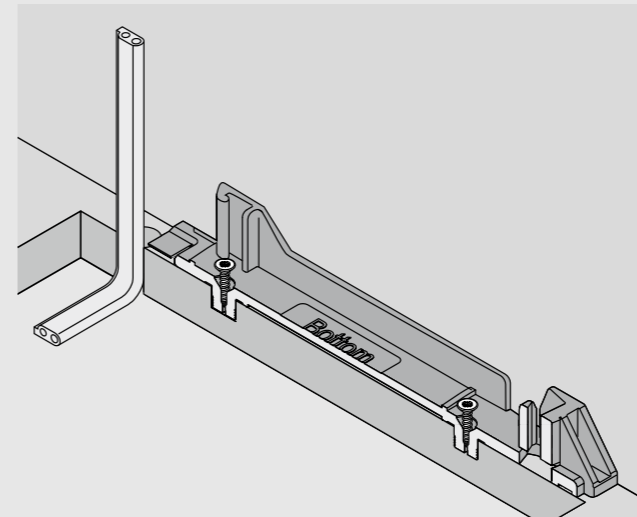
Z Offset Remove

Standard cabinet – vertical/horizontal cross member

Planning

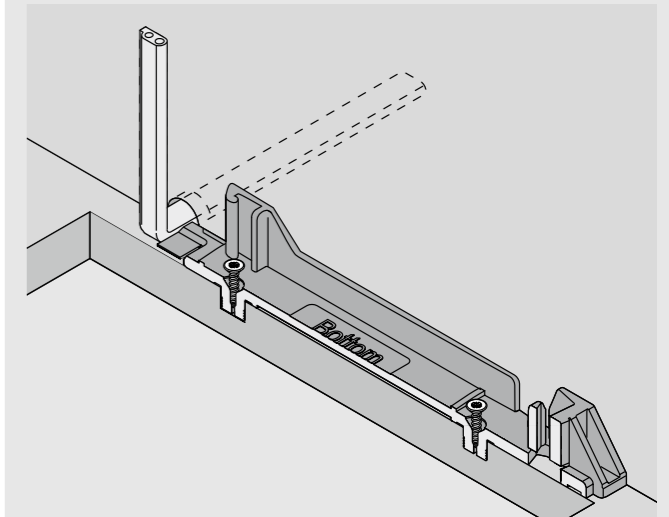
Cabinet base – drilling pattern

Lower cabling



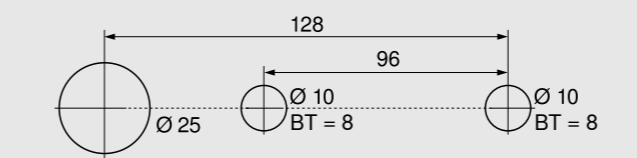
Ø 10
BT = 8

Back cabling



Ø 10
BT = 8

Alternative drilling pattern for MINIPRESS top and MINIPRESS



Ø 10
BT = 8

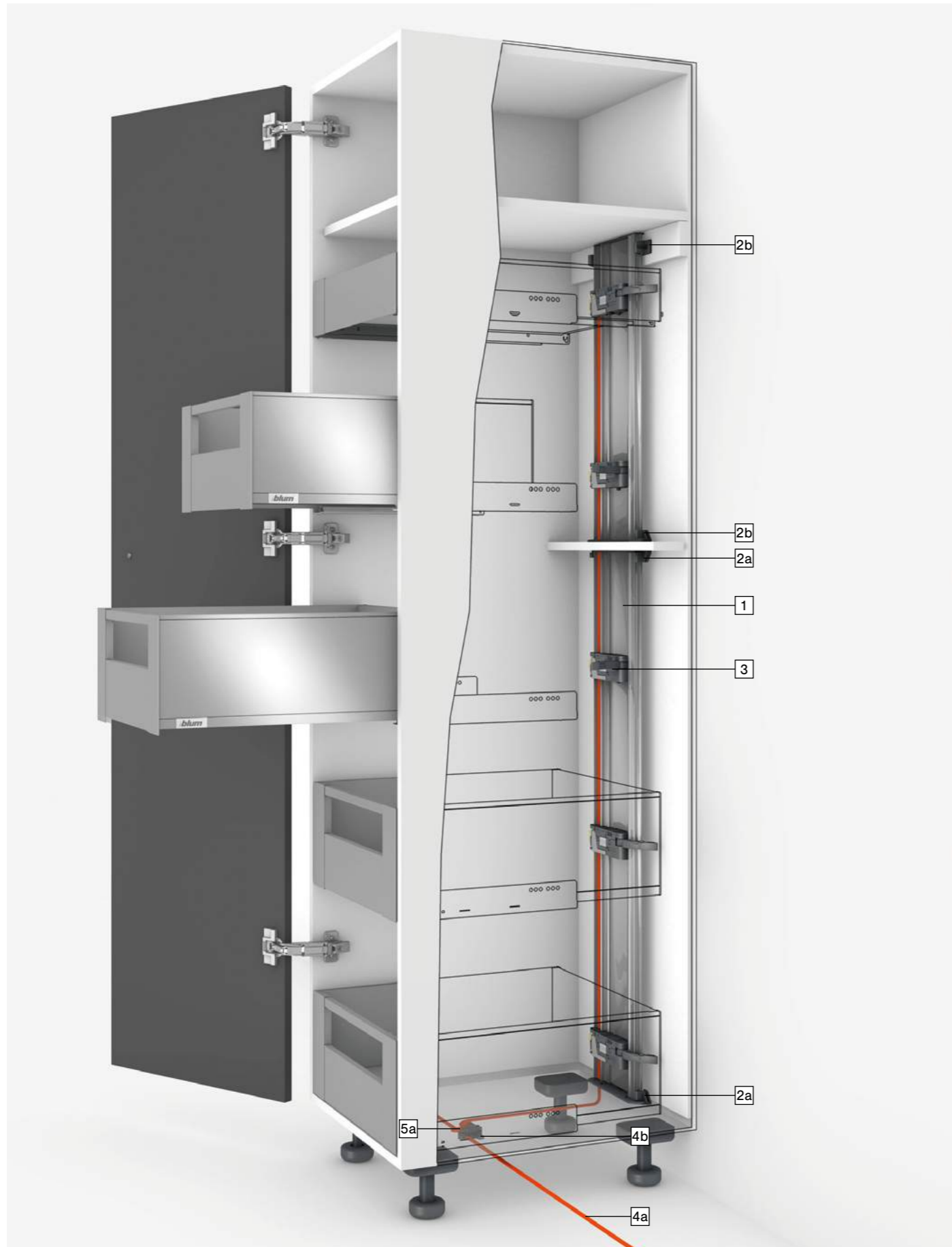
BT Drilling depth

Front assembly

Blum distance bumper

See page 107

SPACE TOWER



SPACE TOWER

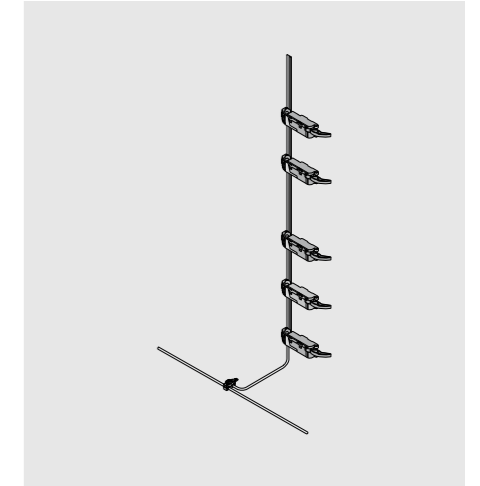
Product




Description

- Electrical opening support system in combination with BLUMOTION for soft and effortless closing
- With vertical bracket profile
- No fixed connection between the drive unit and pull-out
- Pull-outs need not be modified
- Tool-free assembly
- Simple cabling
- Shallow installation depth

Cabling

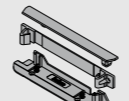


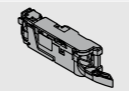
Ordering information

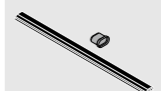
1	Bracket profile		
	Length (mm)	Cable	
	670		Z10T670AA
	750		Z10T750AA
	1170	-	Z10T1170A
Aluminium for cutting to size			
Cutting	Internal cabinet height LH - 10 mm		
	With cable		
-	Without cable		

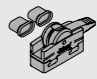
2a	Bracket profile attachment top/bottom		
	Horizontal cross member		
	Colour	Material	
	R7037	Nylon	Z10D01E0.01

Alternative 2a

2b	Bracket profile attachment bottom/back		
	Vertical cross member		
	Colour	Material	
	R7037	Nylon	Z10D01EA.01
Incl. bracket profile cover cap			

3	Drive unit		
	Colour	Material	
	R7037	Nylon	Z10A3000.03
Includes pre-assembled lever extension			

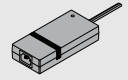
4	SERVO-DRIVE distribution cable and cable end protector		
	Colour	Length (m)	
	S	8	Z10K800AE
Consisting of:			
4a	1 x	SERVO-DRIVE distribution cable	
4b	5 x	Cable end protector	
Can be used as a distribution, bracket profile and communications cable			
For cutting to size			


5	Connecting node and cable end protector		
	Colour	Material	
	S	Nylon	Z10V100E.01
Consisting of:			
5a	1 x	Connecting node	
4b	2 x	Cable end protector	

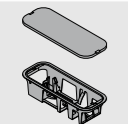
Colour	
R7037	RAL 7037 dust grey
S	Black

SPACE TOWER

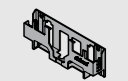
Ordering information

-		24-watt SERVO-DRIVE power supply unit	
	D	Z10NE030D	
Includes operating and installation instructions			
Without flex			
Language package			
D	EN, ES, FR, IT, PT	J	JA
Language descriptions as per ISO-639			

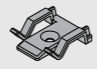
-		Flex	
	Market		
	AU	Z10M200K	
Length 2 m, incl. plug			
¹ Without plug			

-		Power supply unit housing	
	Base fixing		
	Colour	Material	Z10NG000
	R7037	Nylon	
Includes cover			
For 24-watt SERVO-DRIVE power supply unit			

Alternative

-		Power supply unit housing	
	Panel fixing		
	Colour	Material	Z10NG120
	WGR	Nylon	
For 24-watt SERVO-DRIVE power supply unit			

Accessories

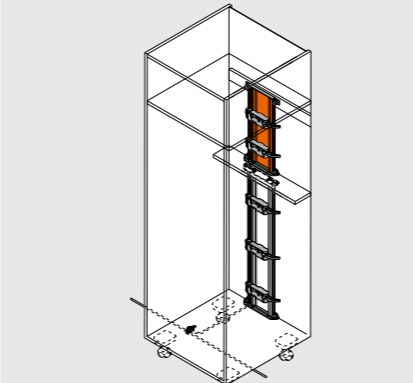
-		Cable holder	
	Colour	Material	Z10K0009
	W	Nylon	
E.g. for fixing the SERVO-DRIVE distribution cable			

Colour	
R7037	RAL 7037 dust grey
W	White
WGR	White grey

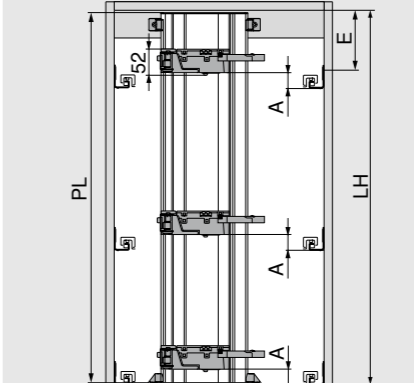
SPACE TOWER – top bracket profile

Planning

Cabinet



Position of drive unit

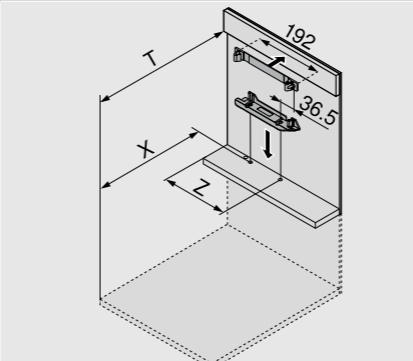


PL = LH - 10 mm
Round down to the nearest tenth
LH Internal cabinet height
PL Bracket profile length
A Distance between bottom edge of cabinet profile and bottom edge of drive unit
E Distance between bottom edge of cabinet top panel and fixing position of cabinet profile

Drive unit position		Internal cabinet width LW (mm)							
		242–266		267–286		287–316		≥ 317	
Drawer back	Back height	A (mm)	E min. (mm)	A (mm)	E min. (mm)	A (mm)	E min. (mm)	A (mm)	E min. (mm)
Chipboard back	N	–	–	45	61	45	61	45	61
	M K C F	–	–	45	69	45	69	45	69

A Distance between bottom edge of cabinet profile and bottom edge of drive unit
 E Distance between bottom edge of cabinet top panel and fixing position of cabinet profile
 – Not possible

Drilling distances – cabinet base | cross member



Drawer back	X (mm)	D (mm)
Chipboard back	NL + 19	NL + 34

NL Nominal length
 T Position front edge – cross member
 X Drilling position
 Z Offset

This bracket profile fixing position ensures that both inner pull-outs and pull-outs with overlay fronts can be opened by pushing or pulling

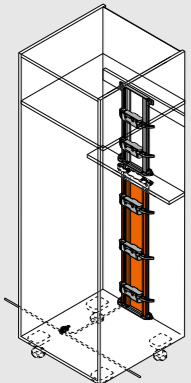
Drawer back		Back height		Internal cabinet width LW (mm)								
				242–266		267–286		287–316		317–386		≥ 387
		Z (mm)	H.	Z (mm)	H.	Ha.	Z (mm)	H.	Z (mm)	H.	Z (mm)	H.
Chipboard back	N	–	–	184	–	–	184	–	–	–	184	–
	M K C F	–	–	184	–	–	184	–	–	–	184	–

H. Lever extension Required
 Ha. Lever cap – Not possible
 Z Offset Remove

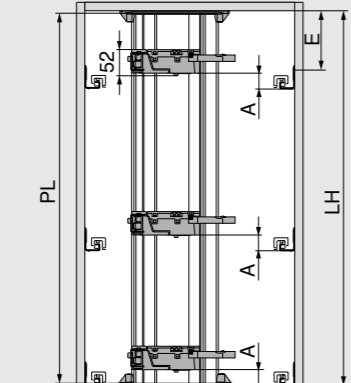
SPACE TOWER – lower bracket profile

Planning

Cabinet



Position of drive unit



PL = LH - 10 mm

Round down to the nearest tenth

LH Internal cabinet height

PL Bracket profile length

A Distance between bottom edge of cabinet profile and bottom edge of drive unit

E Distance between bottom edge of cabinet top panel and fixing position of cabinet profile

Drive unit position

Drawer back	Back height	Internal cabinet width LW (mm)							
		242-266		267-286		287-316		≥ 317	
		A (mm)	E min. (mm)	A (mm)	E min. (mm)	A (mm)	E min. (mm)	A (mm)	E min. (mm)
Chipboard back	N	-	-	45	61	45	61	45	61
	M K C F	-	-	45	69	45	69	45	69

A Distance between bottom edge of cabinet profile and bottom edge of drive unit

E Distance between bottom edge of cabinet top panel and fixing position of cabinet profile

- Not possible

Drilling distances – cabinet base | cross member



Drawer back	X (mm)	Y (mm)
Chipboard back	NL + 19	NL + 33

NL Nominal length

X Drilling position

Y Min. space requirement

Z Offset

This bracket profile fixing position ensures that both inner pull-outs and pull-outs with overlay fronts can be opened by pushing or pulling

Drawer back	Back height	Internal cabinet width LW (mm)										
		242-266		267-286			287-316		317-386		≥ 387	
		Z (mm)	H.	Z (mm)	H.	Ha.	Z (mm)	H.	Z (mm)	H.	Z (mm)	H.
Chipboard back	N	-	-	184	-	-	184	-	184	-	LW / 2	-
	M K C F	-	-	184	-	-	184	-	184	-	LW / 2	-

H. Lever extension Required

Ha. Lever cap - Not possible

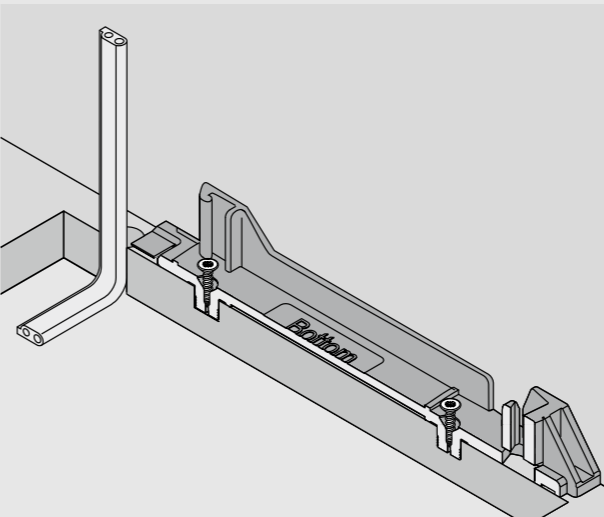
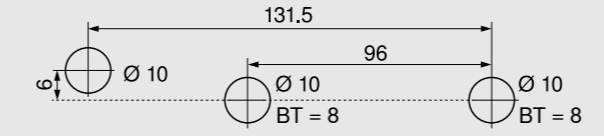
Z Offset Remove

SPACE TOWER – upper/lower bracket profile

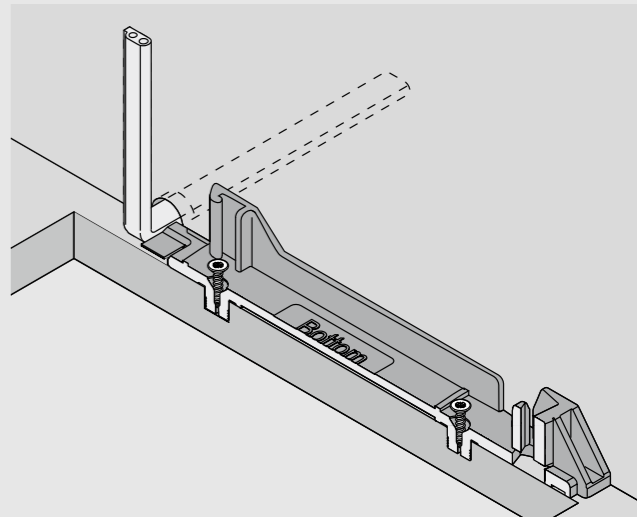
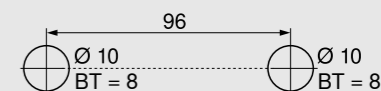
Planning

Cabinet base – drilling pattern

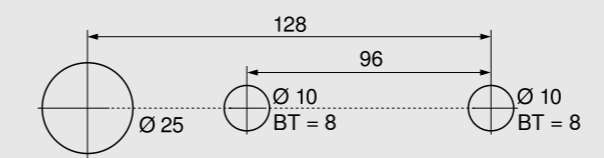
Lower cabling

Back cabling

Alternative drilling pattern for MINIPRESS top and MINIPRESS



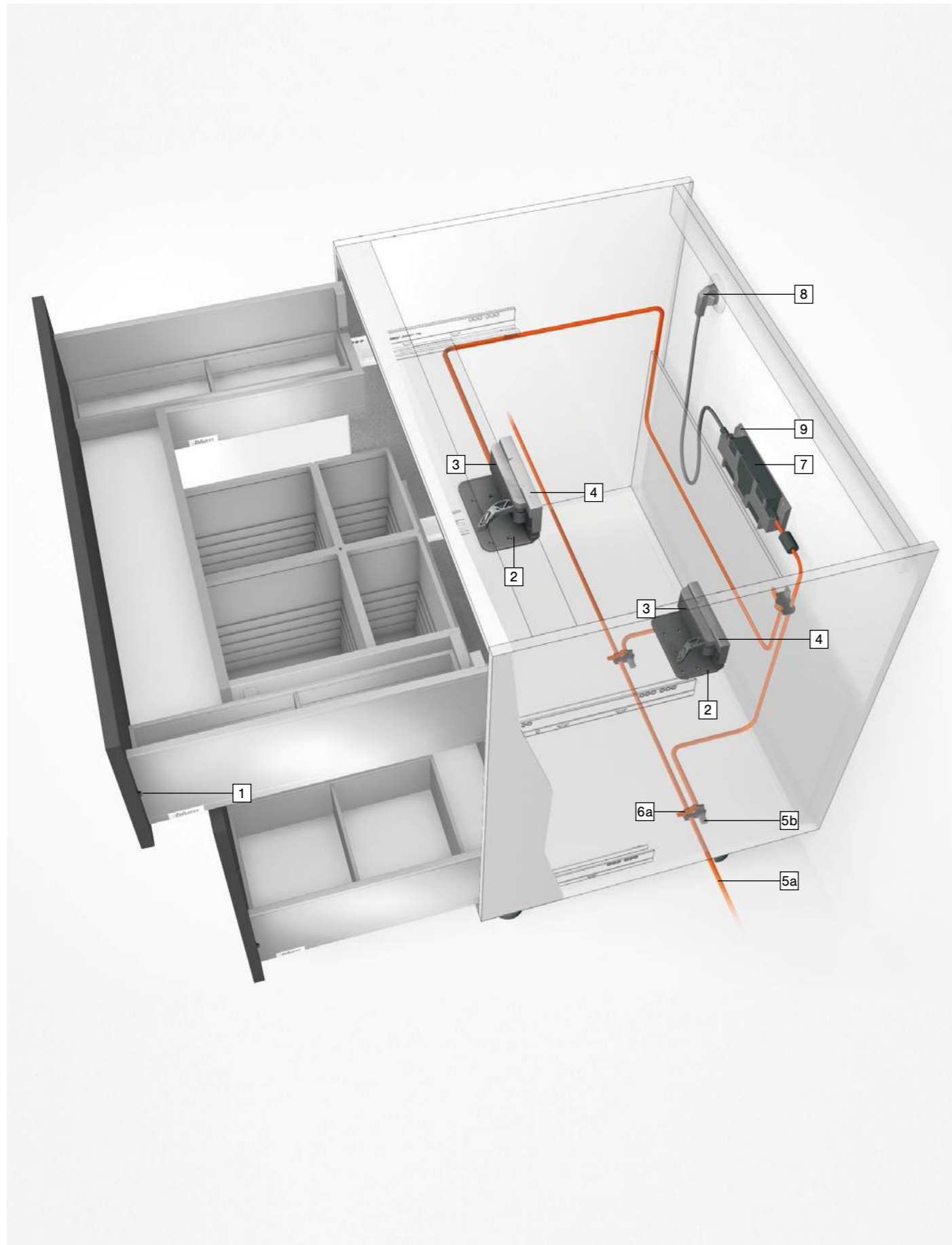
BT Drilling depth

Front assembly

Blum distance bumper

See page 107

Sink cabinet



Sink cabinet

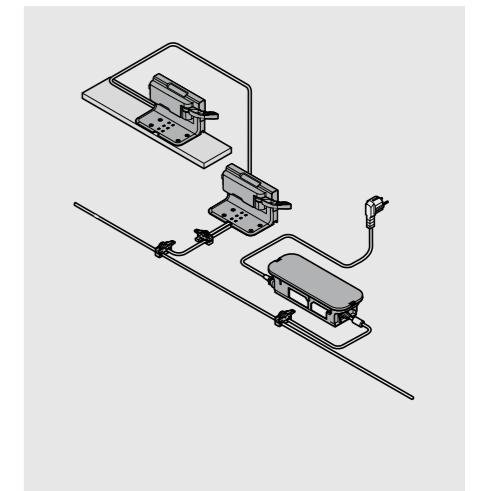
Product



Description

- Electrical opening support system in combination with BLUMOTION for soft and effortless closing
- With attachment bracket
- No fixed connection between the drive unit and pull-out
- Pull-outs need not be modified
- Quick installation of pre-assembled parts

Cabling



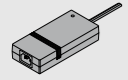
Ordering information

	1 Blum distance bumper		
	Ø (mm)		993.0530
	5		
Up to front height 300 mm, use 2 pcs			
From front height 300 mm, use 4 pcs			
For 70 kg LEGRABOX cabinet profile, use 4 pcs			
	2 Attachment bracket 1 tier		
	Colour	Material	Z10D0311
R7037	Nylon		
	3 Drive unit		
	Colour	Material	Z10A3000.03
R7037	Nylon		
Includes pre-assembled lever extension			
	4 Drip protection feature		
	Colour	Material	Z10D0316
R7037	Nylon		

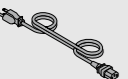
	5 SERVO-DRIVE distribution cable and cable end protector		
	Colour	Length (m)	Z10K800AE
S	8		
Consisting of:			
5a	1 x	SERVO-DRIVE distribution cable	
5b	5 x	Cable end protector	
Can be used as a distribution, bracket profile and communications cable			
For cutting to size			
	6 Connecting node and cable end protector		
	Colour	Material	Z10V100E.01
S	Nylon		
Consisting of:			
6a	1 x	Connecting node	
6b	2 x	Cable end protector	
Colour			
R7037	RAL 7037 dust grey		
S	Black		

Sink cabinet

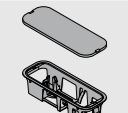
Ordering information

-	24-watt SERVO-DRIVE power supply unit		
	D	Z10NE030D	

Includes operating and installation instructions
Without flex
Language package
D EN, ES, FR, IT, PT J JA
Language descriptions as per ISO-639

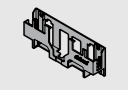
-	Flex		
	Market		
	AU	Z10M200K	

Length 2 m, incl. plug
¹ Without plug

-	Power supply unit housing		
	Base fixing		
	R7037	Nylon	Z10NG000

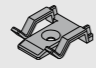
Includes cover
For 24-watt SERVO-DRIVE power supply unit

Alternative

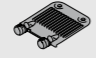
9	Power supply unit housing		
	Panel fixing		
	WGR	Nylon	Z10NG120

For 24-watt SERVO-DRIVE power supply unit

Accessories

-	Cable holder		
	Colour	Material	Z10K0009
	W	Nylon	

E.g. for fixing the SERVO-DRIVE distribution cable

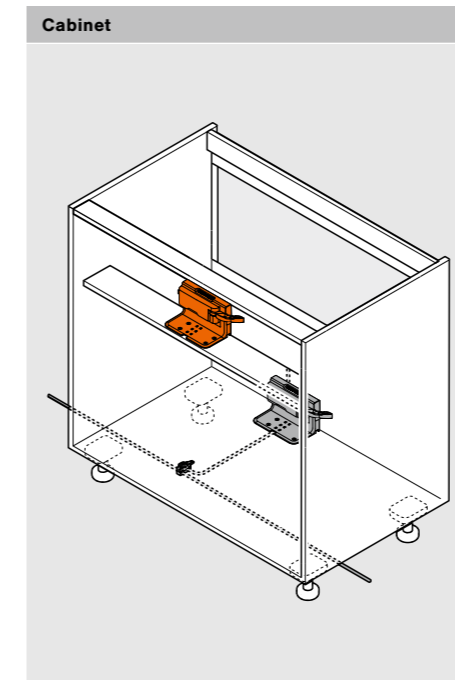
-	Front/base stabiliser		
	Colour	Material	Z96.10E1
	R7037	Nylon	

Colour

R7037	RAL 7037 dust grey
W	White
WGR	White grey

Sink cabinet – cross member – attachment bracket 1 tier

Planning



Position of drive unit

X Drilling position
A Distance between bottom edge of attachment bracket and bottom edge of drive unit
* Measured from cabinet front edge

Drawer back	Back height	A (mm)
Centre piece	N M K C F	45

Recommendation

W Distance between front edge of drawer base and centre piece

For effective use of storage space, we recommend:
Nominal length NL of outer sides - nominal length NL of inner drawer sides = min. 150 mm

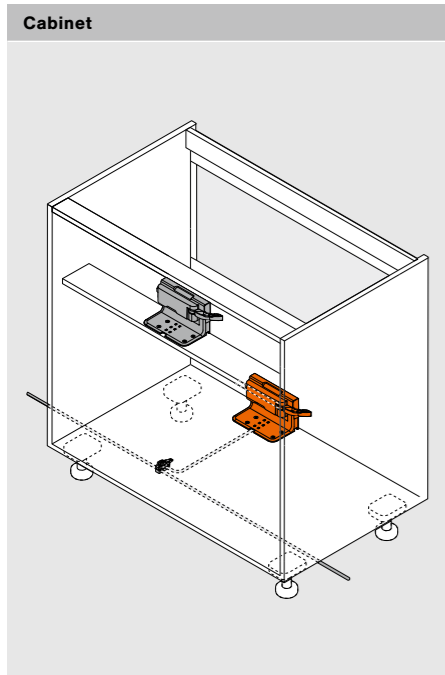
Drilling distances – cross member

Drawer back	Back height	Internal cabinet width LW (mm)	
		≥ 387	
		External nominal length NL (mm)	
Centre piece	N M K C F	450–600	
		X (mm)	Z (mm)
		W + 27	LW / 2

W Distance between front edge of drawer base and centre piece
BT Drilling depth
X Drilling position
Z Offset

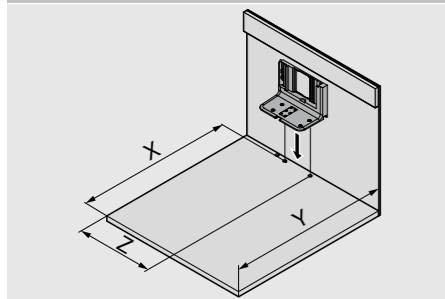
Sink cabinet – cabinet base – attachment bracket 1 tier

Planning



Position of drive unit		X	Drilling position
Chipboard back	Steel back		
		A	Distance between bottom edge of attachment bracket and bottom edge of drive unit
			* Measured from cabinet front edge
			LW (mm)
			≥ 387
			A (mm)
Drawer back	Back height		
Chipboard back	N M K C F		45
Steel back	N		-
	M K C F		45
LW Internal cabinet width			

Drilling distances – cabinet base



Drawer back	X (mm)	Y (mm)	Z (mm)
Chipboard back	NL + 19	NL + 35	LW / 2
Steel back	NL + 2	NL + 18	LW / 2
LW Internal cabinet width			
NL Nominal length			
X Drilling position			
Y Min. space requirement			
Z Offset			

Sink cabinet – cabinet base – attachment bracket 1 tier

Planning

Cabinet base – drilling pattern

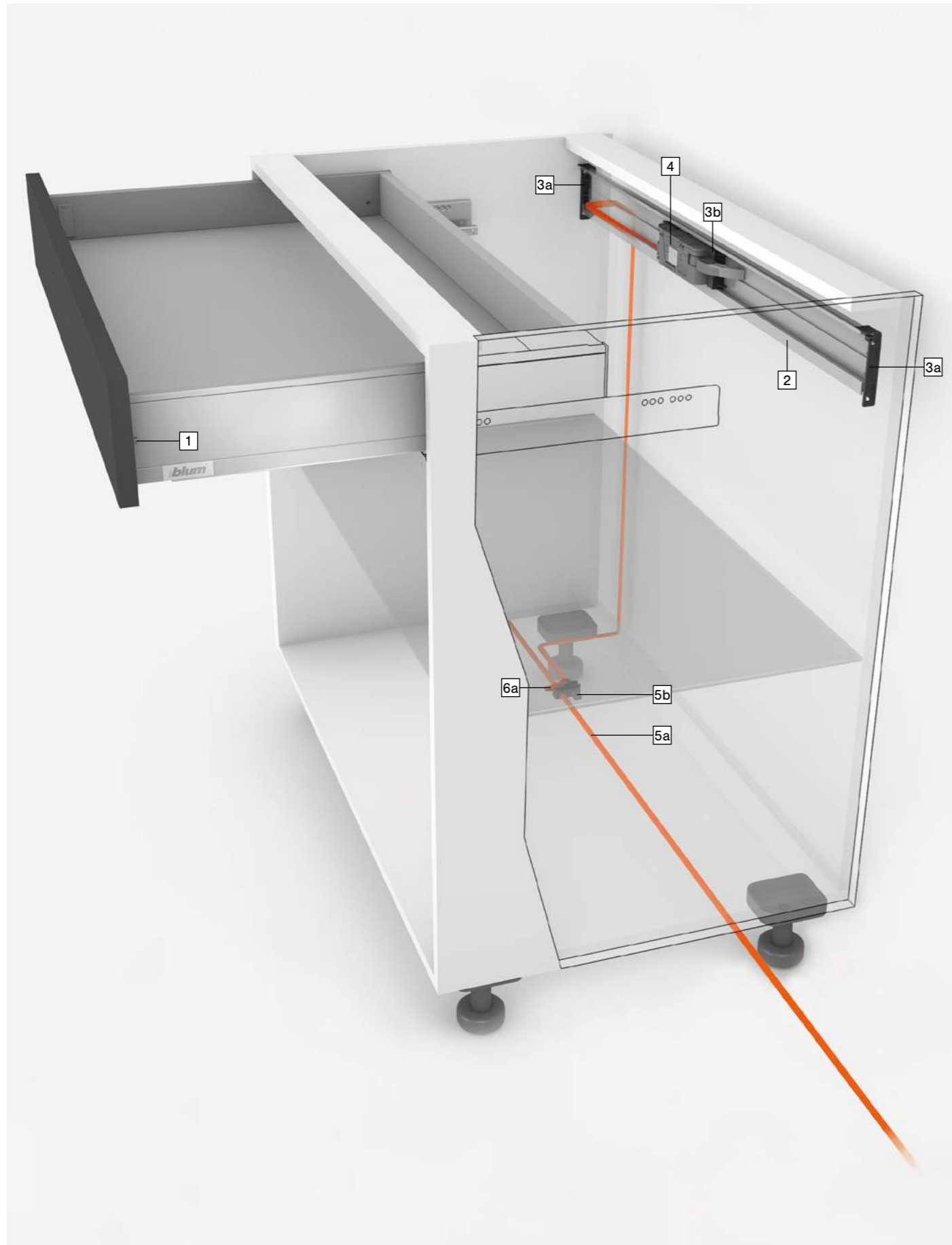
Lower cabling

Alternative drilling pattern for MINIPRESS top and MINIPRESS

BT Drilling depth

Front assembly
Blum distance bumper
 See page 107

Cabinet with single pull-out – horizontal bracket profile



Cabinet with single pull-out – horizontal bracket profile

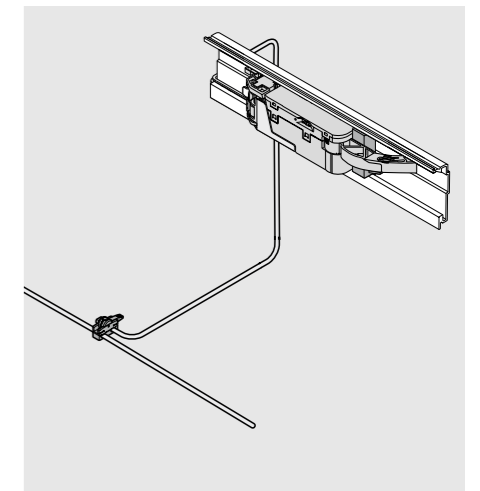
Product




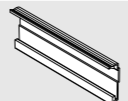
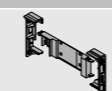
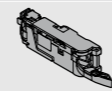
Description

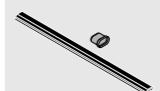
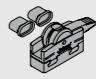
- Electrical opening support system in combination with BLUMOTION for soft and effortless closing
- With horizontal bracket profile
- No fixed connection between the drive unit and pull-out
- Pull-outs need not be modified
- Quick installation of pre-assembled parts

Cabling



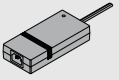
Ordering information

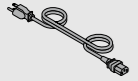
1 	Blum distance bumper		
	Ø (mm)	5	993.0530
Up to front height 300 mm, use 2 pcs			
From front height 300 mm, use 4 pcs			
For 70 kg LEGRABOX cabinet profile, use 4 pcs			
2 	Horizontal bracket profile		
	Length (mm)	1143	Z10T1143B
For cabinet width KB 275–1200 mm			
Aluminium for cutting to size			
Cutting	Internal cabinet width LW - 19 mm		
3 	Horizontal bracket profile attachment		
	Colour	Material	Z10D5210
R7037	Nylon		
Consisting of:			
3a	1 x	Bracket profile attachment left/right	
3b	1 x	Bracket profile adapter for drive unit	
Chipboard screws and system screws can be used			
4 	Drive unit		
	Colour	Material	Z10A3000.03
R7037	Nylon		
Includes pre-assembled lever extension			

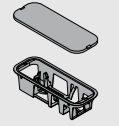
5 	SERVO-DRIVE distribution cable and cable end protector		
	Colour	Length (m)	Z10K800AE
S	8		
Consisting of:			
5a	1 x	SERVO-DRIVE distribution cable	
5b	5 x	Cable end protector	
Can be used as a distribution, bracket profile and communications cable			
For cutting to size			
6 	Connecting node and cable end protector		
	Colour	Material	Z10V100E.01
S	Nylon		
Consisting of:			
6a	1 x	Connecting node	
6b	2 x	Cable end protector	
Colour			
R7037	RAL 7037 dust grey		
S	Black		

Cabinet with single pull-out – horizontal bracket profile

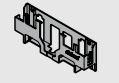
Ordering information

- 24-watt SERVO-DRIVE power supply unit			
	D	Z10NE030D	
Includes operating and installation instructions			
Without flex			
Language package			
D	EN, ES, FR, IT, PT	J	JA
Language descriptions as per ISO-639			

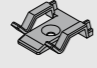
- Flex			
	Market		
	AU	Z10M200K	
Length 2 m, incl. plug			
¹ Without plug			

- Power supply unit housing			
	Base fixing		
	Colour	Material	
	R7037	Nylon	Z10NG000
Includes cover			
For 24-watt SERVO-DRIVE power supply unit			

Alternative

- Power supply unit housing			
	Panel fixing		
	Colour	Material	
	WGR	Nylon	Z10NG120
For 24-watt SERVO-DRIVE power supply unit			

Accessories

- Cable holder			
	Colour	Material	
	W	Nylon	Z10K0009
E.g. for fixing the SERVO-DRIVE distribution cable			

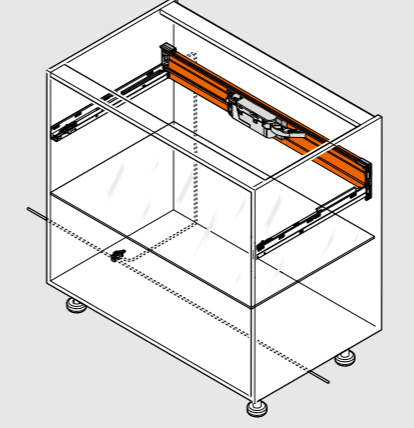
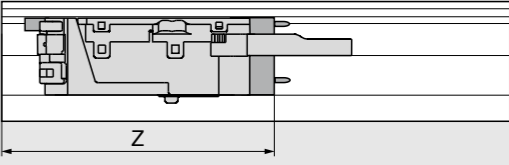
- Front/base stabiliser			
	Colour	Material	
	R7037	Nylon	Z96.10E1

- COMBOX set			
	Colour	Material	
	S	Nylon	Z10ZC00A
Prevents front collisions when using SERVO-DRIVE in corner applications			
Compatible with drive units Z10A3000.02 onwards			
Can be used in combination with Z10K300A			
Includes all assembly and cabling components			

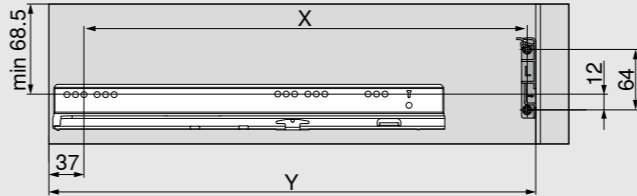
Colour	
R7037	RAL 7037 dust grey
S	Black
W	White
WGR	White grey

Cabinet with single pull-out – horizontal bracket profile

Planning

Cabinet	Position of drive unit
	
	Z Offset

Drilling dimensions

	Drawer back	X (mm)	Y (mm)
	Chipboard back	NL - 9	NL + 37
NL Nominal length			
X Drilling position			
Y Min. space requirement			
This bracket profile fixing position ensures that both inner pull-outs and pull-outs with overlay fronts can be opened by pushing or pulling			

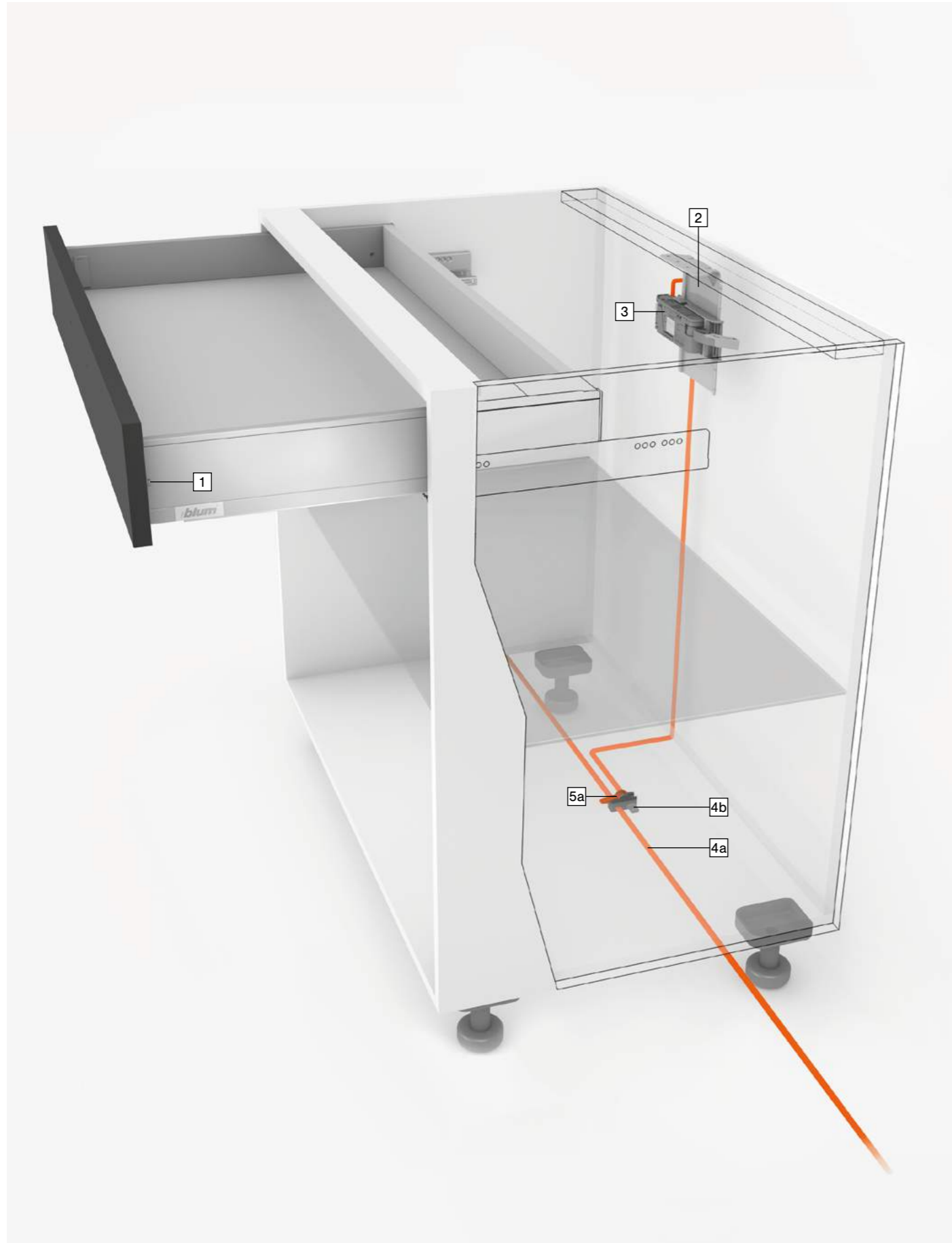
Drawer back	Back height	Internal cabinet width LW (mm)										
		242-266		267-286		287-316		317-386		≥ 387		
		Z (mm)	H.	Z (mm)	H.	Ha.	Z (mm)	H.	Z (mm)	H.	Z (mm)	H.
Chipboard back	N	-	-	-	-	-	193		193		LW / 2	
	M K C F	-	-	182		o	182		182		LW / 2	
H. Lever extension							Required					
Ha. Lever cap							o Not required					
Z Offset							- Not possible					
							Remove					

Front assembly

Blum distance bumper

See page 107

Cabinet with single pull-out – upper attachment bracket



Cabinet with single pull-out – upper attachment bracket

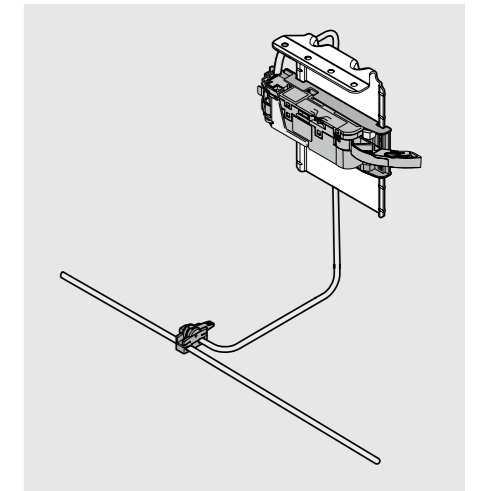
Product




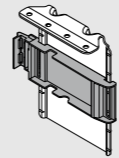
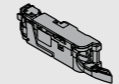
Description


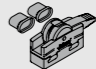
- Electrical opening support system in combination with BLUMOTION for soft and effortless closing
- With upper attachment bracket
- No fixed connection between the drive unit and pull-out
- Pull-outs need not be modified
- Quick installation of pre-assembled parts

Cabling



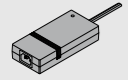
Ordering information

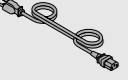
1		Blum distance bumper		
		Ø (mm)		
		5		993.0530
Up to front height 300 mm, use 2 pcs				
From front height 300 mm, use 4 pcs				
For 70 kg LEGRABOX cabinet profile, use 4 pcs				
2		Upper attachment bracket		
		Colour	Material	
		R7037/ZN	Steel	Z10D6252
Includes pre-mounted adapter for drive unit				
3		Drive unit		
		Colour	Material	
		R7037	Nylon	Z10A3000.03
Includes pre-assembled lever extension				

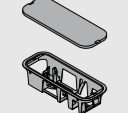
4		SERVO-DRIVE distribution cable and cable end protector		
		Colour	Length (m)	
		S	8	Z10K800AE
Consisting of:				
4a	1 x	SERVO-DRIVE distribution cable		
4b	5 x	Cable end protector		
Can be used as a distribution, bracket profile and communications cable				
For cutting to size				
5		Connecting node and cable end protector		
		Colour	Material	
		S	Nylon	Z10V100E.01
Consisting of:				
5a	1 x	Connecting node		
4b	2 x	Cable end protector		
Colour				
R7037	RAL 7037 dust grey			
S	Black			
ZN	Zinc plated			

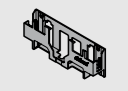
Cabinet with single pull-out – upper attachment bracket

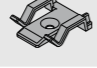
Ordering information

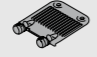
- 24-watt SERVO-DRIVE power supply unit			
	D	Z10NE030D	
Includes operating and installation instructions			
Without flex			
Language package			
D	EN, ES, FR, IT, PT	J	JA
Language descriptions as per ISO-639			

- Flex			
	Market		
	AU	Z10M200K	
Length 2 m, incl. plug			
¹ Without plug			

- Power supply unit housing			
	Base fixing		
	Colour	Material	
	R7037	Nylon	Z10NG000
Includes cover			
For 24-watt SERVO-DRIVE power supply unit			

- Alternative Power supply unit housing			
	Panel fixing		
	Colour	Material	
	WGR	Nylon	Z10NG120
For 24-watt SERVO-DRIVE power supply unit			

Accessories			
- Cable holder			
	Colour	Material	
	W	Nylon	Z10K0009
E.g. for fixing the SERVO-DRIVE distribution cable			

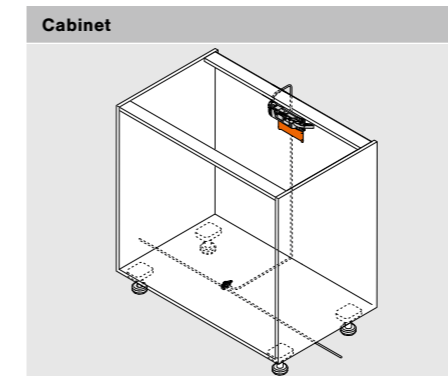
- Front/base stabiliser			
	Colour	Material	
	R7037	Nylon	Z96.10E1

- COMBOX set			
	Colour	Material	
	S	Nylon	Z10ZC00A
Prevents front collisions when using SERVO-DRIVE in corner applications			
Compatible with drive units Z10A3000.02 onwards			
Can be used in combination with Z10K300A			
Includes all assembly and cabling components			

Colour	
R7037	RAL 7037 dust grey
S	Black
W	White
WGR	White grey

Cabinet with single pull-out – upper attachment bracket

Planning



Position of drive unit

X	Drilling position
A	Distance between bottom edge of cabinet profile and bottom edge of drive unit
E	Distance between bottom edge of cabinet top panel and fixing position of cabinet profile

The cross member must be securely fixed to the worktop area

Drawer back	Back height	Internal cabinet width LW (mm)											
		242–266			267–286			287–316			≥ 317		
		A (mm)	E min. (mm)	E max. (mm)	A (mm)	E min. (mm)	E max. (mm)	A (mm)	E min. (mm)	E max. (mm)	A (mm)	E min. (mm)	E max. (mm)
Chipboard back	N	–	–	–	–	–	–	45	84	174	45	84	174
	M K E F	–	–	–	45	84	174	45	84	174	45	84	174

A Distance between bottom edge of cabinet profile and bottom edge of drive unit
 E Distance between bottom edge of cabinet top panel and fixing position of cabinet profile
 – Not possible

Drilling distances – cross member

Drawer back	X (mm)	Y (mm)
Chipboard back	NL - 1	NL + 34

NL Nominal length
 X Drilling position
 Y Min. space requirement
 Z Offset

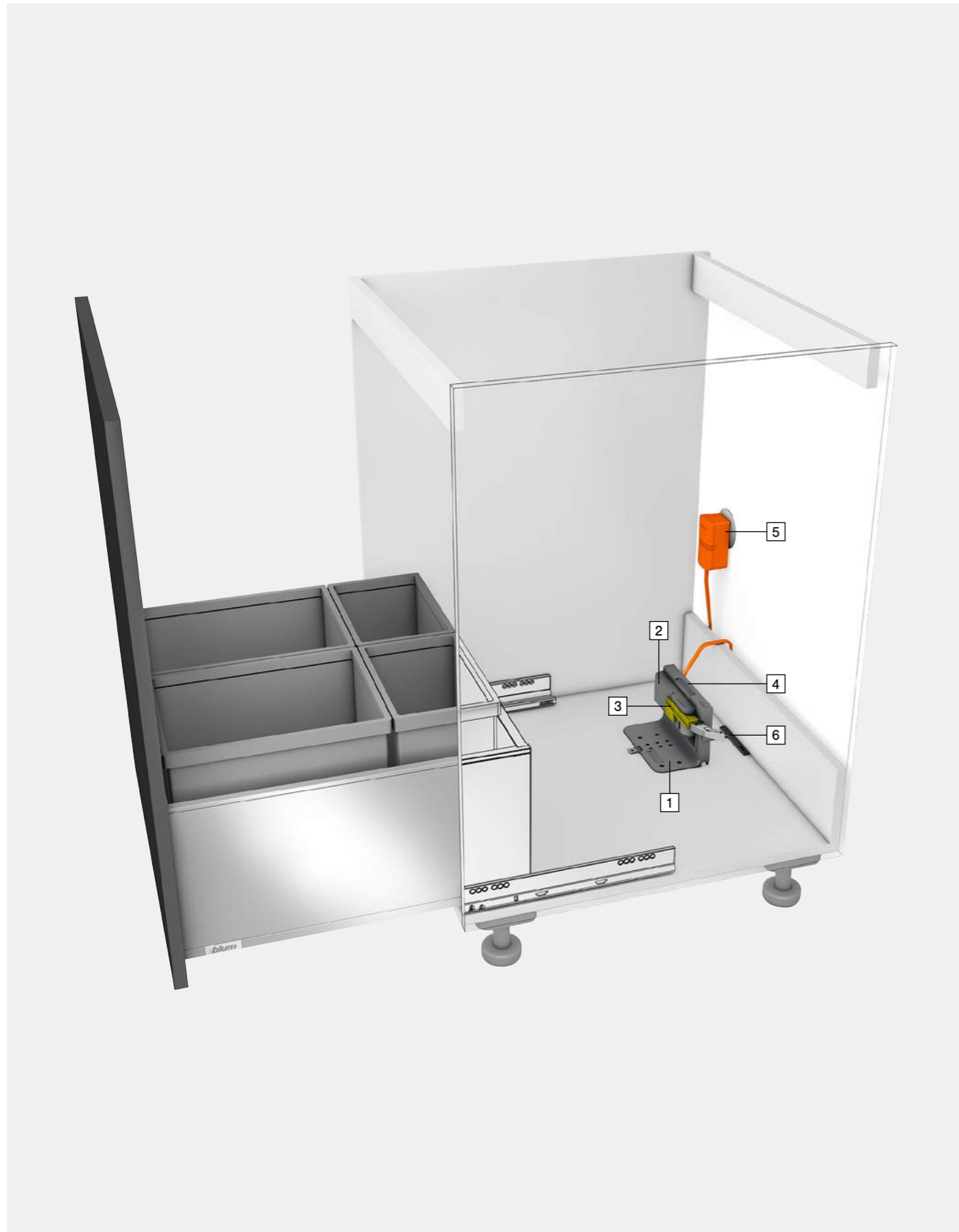
This bracket profile fixing position ensures that both inner pull-outs and pull-outs with overlay fronts can be opened by pushing or pulling

Drawer back	Back height	Internal cabinet width LW (mm)											
		242–266		267–286			287–316		317–386		≥ 387		
		Z (mm)	H.	Z (mm)	H.	Ha.	Z (mm)	H.	Z (mm)	H.	Z (mm)	H.	
Chipboard back	N	–	–	184	–	–	184	–	–	184	–	–	LW / 2
	M K C F	–	–	184	–	–	184	–	–	184	–	–	LW / 2

H. Lever extension Required
 Ha. Lever cap – Not possible
 Z Offset Remove

Front assembly
Blum distance bumper
 See page 107

Bottom mount waste bin solution



Bottom mount waste bin solution

SERVO-DRIVE uno



- Electrical opening support system in combination with BLUMOTION for soft and effortless closing
- Suitable for individual applications
- For bottom mount waste bin solutions
- Also ideal for retrofitting
- No fixed connection between the drive unit and pull-out
- Pull-outs need not be modified
- Simple and quick assembly of pre-assembled parts

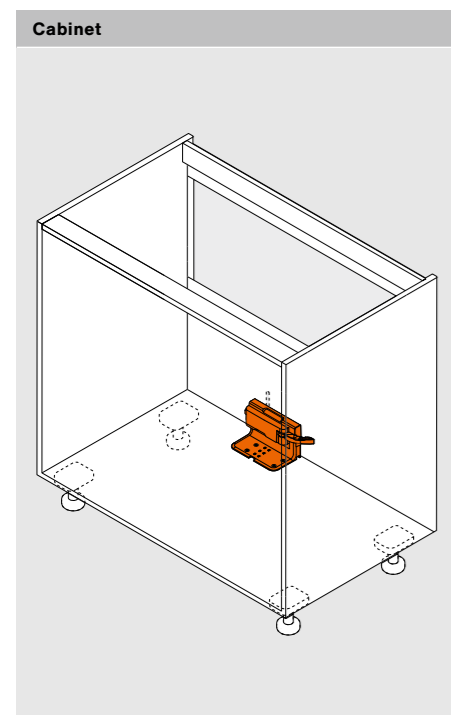


Ordering information

SERVO-DRIVE uno set			
	Power adapter	Language package	Z10NA30KD
	K	D	
Power adapter			
K			
See the Information chapter of the Blum catalogue for a detailed market list.			
Language package			
D	EN, ES, FR, IT, PT		
Other combinations available upon request			
Pre-assembled set			
Consisting of:			
-	2 x	Blum distance bumper	
1	1 x	Attachment bracket 1 tier	
2	1 x	Drive unit	
3	1 x	Transport protection	
4	1 x	Drip protection feature	
5	1 x	12-watt SERVO-DRIVE plug-in power supply unit	
6	1 x	Assembly device	
-	7 x	Screws for Blum distance bumper and attachment bracket	
-	1 x	Installation instructions	
-	1 x	Instruction leaflet	

Bottom mount waste bin solution

Planning



Position of drive unit

Box systems	Internal cabinet width LW (mm)	
	A min. (mm)	A max. (mm)
LEGRABOX	45	47

A Distance between bottom edge of cabinet profile and bottom edge of drive unit

Drilling distances – cabinet base

Drawer back	Internal cabinet width LW (mm)		
	X (mm)	Y (mm)	Z (mm)
Chipboard back	NL - 45	NL + 35	LW / 2

NL Nominal length
 X Drilling position
 Y Min. space requirement
 Z Offset

SERVO-DRIVE information

Front assembly

Blum distance bumper

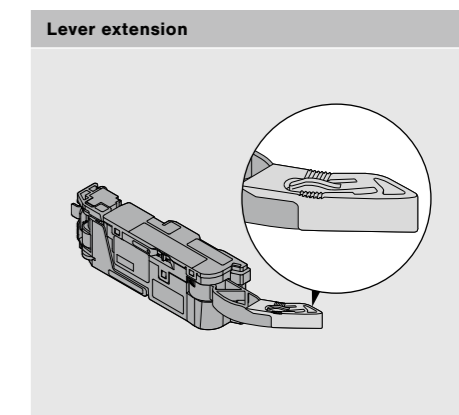
The Blum distance bumper ensures the required trigger path of 2 mm

When using a 70 kg LEGRABOX cabinet profile, install 4 Blum distance bumpers

For optimal triggering with front heights FH > 300 mm, use front/base stabiliser

FA	Front overlay
FH	Front height

Drive unit



Space requirement and safety distance – power supply unit housing

Base fixing

Panel fixing

Please note

⚠ Maintain a 30 mm safety distance from the bottom edge (base fixing) and/or front edge (panel fixing) and side edges of the power supply unit housing to the neighbouring elements! Air must be able to circulate, otherwise the SERVO-DRIVE power supply unit could overheat!

Assembly, adjustment and removal



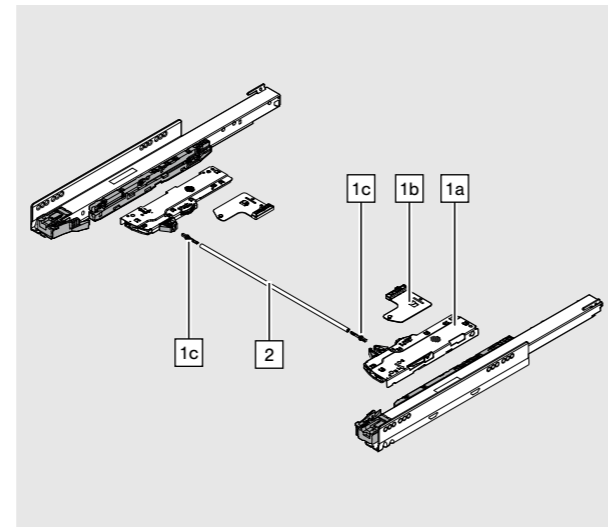
Information on assembly and adjustment
www.blum.com/servodrive1

TIP-ON BLUMOTION


- TIP-ON mechanical opening support system combined with BLUMOTION for soft and effortless closing
- Front gap 2.5 mm
- Four-dimensional front adjustment
- Extensive trigger range
- Synchronised feather-light glide
- Synchronisation for internal cabinet widths LW of 245 mm or more

Ordering information

1 TIP-ON BLUMOTION set					
<p>The TIP-ON BLUMOTION unit is available in varying strengths to suit different weight ranges and nominal lengths. Each version has a different colour to make them easy to distinguish. The latch can be universally used for all TIP-ON BLUMOTION units.</p>					
NL (mm)	Unit	Cabinet profile (kg)	Weight (kg)		
270-300	S0 White	40	≤ 10		T60L7040
270-300	S1 Light grey	40	> 10-20		T60L7140
350-600	L1 Light grey	40	² ≤ 20		T60L7340
350-600	L3 Dust grey	40	² 15-40		T60L7540
450-650	L5 Black	70	³ 35-70		T60L7570
Consisting of:					
1a	1 x	TIP-ON BLUMOTION unit left/right			
1b	1 x	TIP-ON BLUMOTION latch left/right			
1c	2 x	TIP-ON BLUMOTION synchronisation adapter			
Internal cabinet width LW ≥ 294 mm					
¹	Recommended weight ranges (total weight of the pull-out) for an optimum opening and closing function				
²	Can only be combined with a 40 kg cabinet profile				
³	Recommendation: Only use in combination with a 70 kg cabinet profile				
Make the right calculations for your TIP-ON BLUMOTION unit using the Product Configurator www.blum.com/configurator					


Accessories

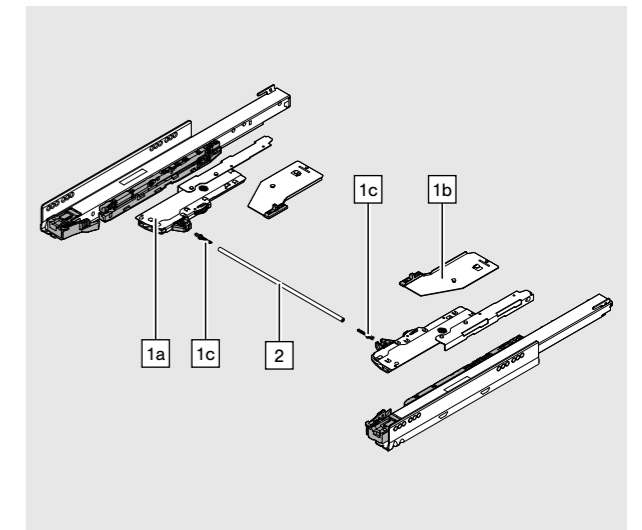
1c	TIP-ON BLUMOTION synchronisation adapter	
	Version	Colour
	Symmetrical	RAL 7035 light grey
		T60.000D
Internal cabinet width LW ≥ 294 mm		

-	TIP-ON BLUMOTION front gap template	
	Front gap FS (mm)	Colour
	2.5	Orange
		65.5631
Note	We recommend that you use the front gap template	

Internal cabinet width LW ≥ 294 mm		
2	TIP-ON BLUMOTION synchronisation linkage	
	Version	Colour
	Round	Grey
		T60.1125W
In combination with 1c 2 x T60.000D		
Suitable up to internal cabinet width LW 1370 mm		
Note	To optimise the function and increase the trigger range, we generally recommend using synchronisation.	
Cutting	Internal cabinet width LW - 247 mm	

TIP-ON BLUMOTION sink pull-out

1 TIP-ON BLUMOTION set sink pull-out					
<p>The TIP-ON BLUMOTION unit is available in varying strengths to suit different weight ranges and nominal lengths. Each version has a different colour to make them easy to distinguish. The latch can be universally used for all TIP-ON BLUMOTION units.</p>					
NL (mm)	Unit	Cabinet profile (kg)	Weight (kg)		
350-600	L1 Light grey	40	² ≤ 20		T60L9340
350-600	L3 Dust grey	40	² 15-40		T60L9540
Consisting of:					
1a	1 x	TIP-ON BLUMOTION unit left/right			
1b	1 x	TIP-ON BLUMOTION latch left/right			
1c	2 x	TIP-ON BLUMOTION synchronisation adapter			
Internal cabinet width LW ≥ 314 mm					
¹	Recommended weight ranges (total weight of the pull-out) for an optimum opening and closing function				
²	Can only be combined with a 40 kg cabinet profile				
Make the right calculations for your TIP-ON BLUMOTION unit using the Product Configurator www.blum.com/configurator					

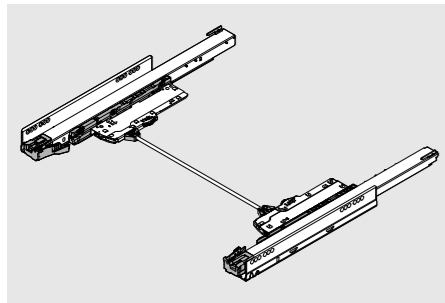

Accessories

1c	TIP-ON BLUMOTION synchronisation adapter	
	Version	Colour
	Symmetrical	RAL 7035 light grey
		T60.000D
Internal cabinet width LW ≥ 314 mm		

Internal cabinet width LW ≥ 314 mm		
2	TIP-ON BLUMOTION synchronisation linkage	
	Version	Colour
	Round	Grey
		T60.1125W
In combination with 1c 2 x T60.000D		
Suitable up to internal cabinet width LW 1370 mm		
Note	To optimise the function and increase the trigger range, we generally recommend using synchronisation.	
Cutting	Internal cabinet width LW - 267 mm	

-	TIP-ON BLUMOTION front gap template	
	Front gap FS (mm)	Colour
	2.5	Orange
		65.5631
Note	We recommend that you use the front gap template	

Planning



- TIP-ON BLUMOTION for LEGRABOX uses the same standard installation dimensions as LEGRABOX
- The following diagrams show a drawer with height M

Furniture construction

Precise manufacturing is required to ensure a front gap of at least 2.5 mm. This means that the construction must adhere to the dimensions and angles planned.

Plinth leg

Front assembly

Bumpers must not be installed for TIP-ON BLUMOTION!

Space requirements in the cabinet

Drawer/high fronted pull-out	Inner drawer/inner pull-out

* +1 mm if cabinet profile is installed before cabinet assembly
 ** Incl. 2 mm tilt adjustment
 Latch set (Z17.0M07) cannot be used in combination with TIP-ON BLUMOTION
 NL Nominal length

Planning

Sink pull-out

Distance between the synchronisation linkage and the front

NL (mm)	X for 750.xxx1S (mm)
350	65
400	85
450	65
500	65
550	65
600	65
NL Nominal length	

Screw position – inner drawer | inner pull-out

Depth position

Ensure that both cabinet profiles are positioned at the correct depth.

Trigger range

Minimum front gap (mm)	2.5
With front/base stabiliser	

To optimise the function and increase the trigger range, we generally recommend using synchronisation.

Example for 750 – 40 kg | 753 – 70 kg, height C, nominal length NL 500 mm

Information on assembly and adjustment
www.blum.com/tipon-blumotion



AMBIA-LINE

Organisation at its best

Material and colour

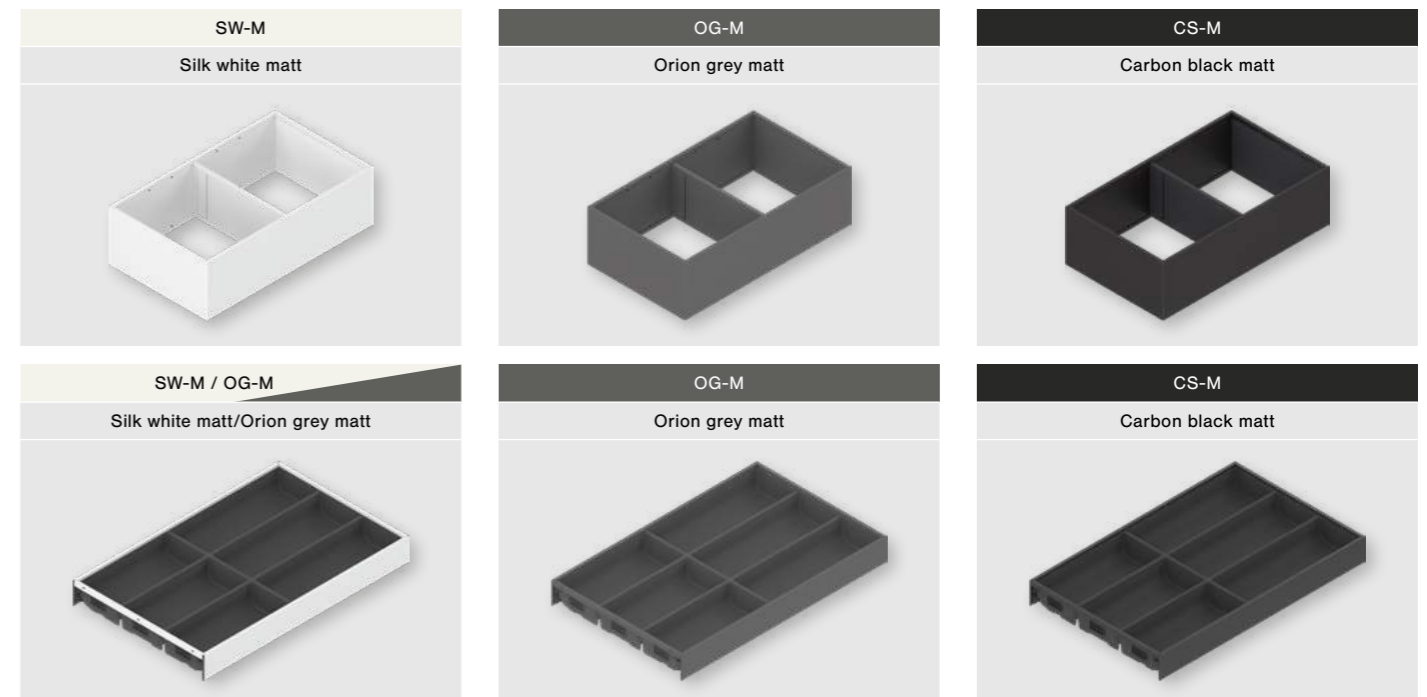
Steel design



More information on
AMBIA-LINE

[www.blum.com/
ambialine](http://www.blum.com/ambialine)

Colours



Cutlery insert

Steel design



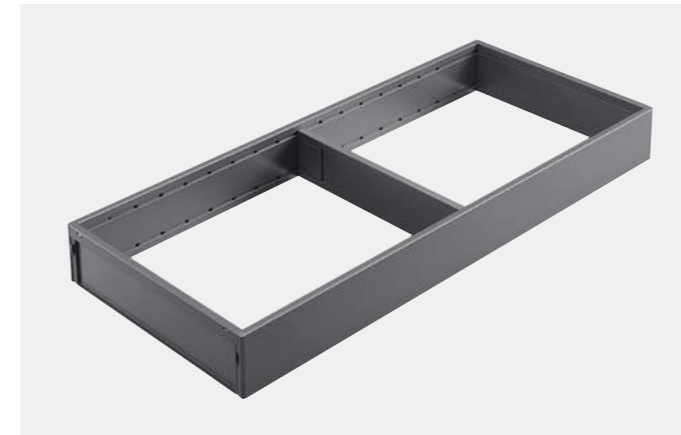
- Practical for kitchen applications and in other areas of the home
- Elegant, slim design
- Suitable for LEGRABOX drawers and inner drawers, height M and K
- Can be positioned as desired and provides a secure hold
- Cutlery insert with soft touch surface
- Frame height 50 mm
- Material: Steel, powder-coated

Ordering information

Cutlery insert					
	Nominal length (mm)	Width (mm)	SW-M / OG-M	OG-M	CS-M
	450	300	ZC7S450BS3		
	500	300	ZC7S500BS3		
	550	300	ZC7S550BS3		
	600	300	ZC7S600BS3		


Drawer frame

Steel design



- Practical for kitchen applications and in other areas of the home
- Elegant, slim design
- Suitable for LEGRABOX drawers and inner drawers, height M and K
- Can be positioned as desired and provides a secure hold
- Optional film/foil dispenser and knife holder
- Frame height 50 mm
- Material: Steel, powder-coated

Ordering information


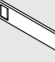
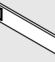
Drawer frame for nominal lengths of 270 mm or more					
	Nominal length (mm)	Width (mm)	SW-M	OG-M	CS-M
	270-400	242	ZC7S300RSU		

Incl. magnet for attachment to the drawer side or steel back

Adapter profile for attachment to chipboard back (optional)					
	Height	Width (mm)	SW-M	OG-M	CS-M
	M	242	ZC7A0U0M		
	K	242	ZC7A0U0K		

Recommended from nominal length 350 mm

Drawer frame					
	Nominal length (mm)	Width (mm)	SW-M	OG-M	CS-M
	450	100	ZC7S450RS1		
	500	100	ZC7S500RS1		
	550	100	ZC7S550RS1		
	600	100	ZC7S600RS1		
	450	200	ZC7S450RS2		
	500	200	ZC7S500RS2		
	550	200	ZC7S550RS2		
	600	200	ZC7S600RS2		

Cross divider					
	Height (mm)	Width (mm)	SW-M	OG-M	CS-M
	50	100	ZC7Q010SS		
	50	200	ZC7Q020SS		
	50	242	ZC7Q00U0SS		

Frame for high fronted pull-outs
Steel design


- Practical for kitchen applications and in other areas of the home
- Elegant, slim design
- Suitable for LEGRABOX high fronted pull-out and inner pull-out, height C and F
- Can be positioned as desired and provides a secure hold
- Spice holder also available
- Frame height 110 mm
- Material: Steel, powder-coated

Ordering information

Frame for high fronted pull-outs					
	Nominal length (mm)	Width (mm)	SW-M	OG-M	CS-M
	270-650	242	ZC7F300RSU		
	400-650	218	ZC7F400RSP		

Adapter profile for attachment to chipboard back (optional)					
	Height	Width (mm)	SW-M	OG-M	CS-M
	C	242	ZC7A0U0C		
	F	242	ZC7A0U0F		
	C	218	ZC7A0P0C		
	F	218	ZC7A0P0F		

Recommended from nominal length 350 mm

Cross divider					
	Height (mm)	Width (mm)	SW-M	OG-M	CS-M
	110	242	ZC7Q0U0FS		
	110	218	ZC7Q0P0FS		

AMBIA-LINE cross gallery
Steel design


- Practical for kitchen applications
- With cross gallery for cutting to size
- Suitable for LEGRABOX high fronted pull-out and inner pull-out, height C and F
- Can be positioned as desired and provides a secure hold

Ordering information

Cross gallery for cutting to size					
	Length (mm)	Material	SW-M	OG-M	CS-M
	1080	Aluminium	ZR7.1080U		

Cutting: Internal cabinet width LW - 90 mm

Cross gallery connector					
	Box systems	SW-M	OG-M	CS-M	
	LEGRABOX pure	ZC7U10E0			
	LEGRABOX free	ZC7U11E0			

Order 2 x for each cross gallery

Lateral divider					
	Length (mm)	SW-M	OG-M	CS-M	
	84	ZC7U10F0			

Bottle set

Steel design



- Practical for kitchen applications
- Elegant, slim design
- Suitable for LEGRABOX high fronted pull-out, height C and F
- Can be positioned as desired and provides a secure hold
- Installation height 140 mm (drawer frame with bottle set)
- Material: Steel, powder-coated

Ordering information

Bottle set					
Image	Nominal length (mm)	Width (mm)	SW-M	OG-M	CS-M
		From 450	100	ZC7B0100S	
	From 450	200	ZC7B0200S		

Not suitable for inner pull-outs.

Narrow drawer frame					
Image	Nominal length (mm)	Width (mm)	SW-M	OG-M	CS-M
		450	100	ZC7S450RS1	
	500	100	ZC7S500RS1		
	550	100	ZC7S550RS1		
	600	100	ZC7S600RS1		

Wide drawer frame					
Image	Nominal length (mm)	Width (mm)	SW-M	OG-M	CS-M
		450	200	ZC7S450RS2	
	500	200	ZC7S500RS2		
	550	200	ZC7S550RS2		
	600	200	ZC7S600RS2		

AMBIA-LINE kitchen accessories



The beautifully designed AMBIA-LINE kitchen accessories are a perfect combination of form and function. Holders for knives, plates and spices and a foil and film dispenser help to keep the kitchen tidy. Everything runs like clockwork because you have clear visibility of utensils in the pull-out and everything is immediately to hand.

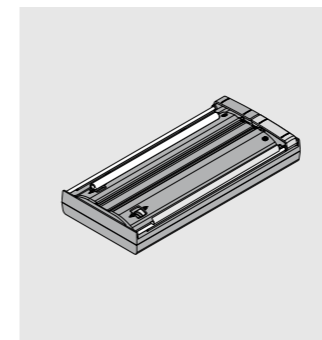


Kitchen accessories

Assembly, adjustment and removal

www.blum.com/a540

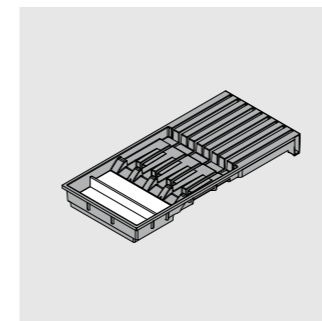
Film/foil dispenser



- Film/foil dispenser for plastic wrap and aluminium foil
- Dispenser rod for easy dispensing and a perfect tangle-free cut
- Flexible base fixing ensures dispenser stays in place
- Removable
- Suitable for LEGRABOX drawers and inner drawers, height M and K
- In combination with AMBIA-LINE drawer frame with a width of 200 mm
- Colour: Orion grey matt
- Material: Nylon/Stainless steel

Ordering information	
Version	
With foil	ZC7C0000
Without foil	ZC7C0001
Length (mm)	409
Width (mm)	187

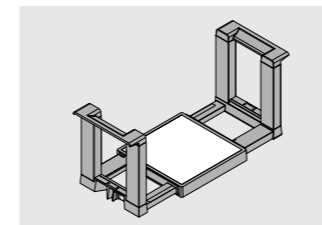
Knife holder



- Securely holds four large and five small knives
- Incl. handle support for long knives
- Flexible base fixing ensures holder stays in place
- Suitable for LEGRABOX drawers and inner drawers, height M and K
- In combination with AMBIA-LINE drawer frame with a width of 200 mm
- Colour: Orion grey matt
- Material: Nylon/Stainless steel

Ordering information	
Name	
Knife holder	ZC7M0200
Length (mm)	409
Width (mm)	187

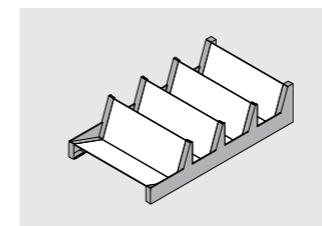
Blum plate holder



- Securely holds up to 12 plates
- Can be easily adjusted to different plate sizes
- Removable
- Suitable for LEGRABOX high fronted pull-out and inner pull-out, height C and F
- Colour: Orion grey matt
- Material: Nylon/Stainless steel

Ordering information	
Name	
Blum plate holder	ZC7T0350
Diameter of plates (mm)	186-322
Stacking height (mm)	146
Overall height (mm)	170

Spice holder



- Organises herbs and spices and securely holds containers of all shapes and sizes
- Suitable for LEGRABOX high fronted pull-out and inner pull-out, height C and F
- In combination with AMBIA-LINE high fronted pull-out frame with a width of 218 mm
- Colour: Orion grey matt
- Material: Nylon/Stainless steel

Ordering information	
Name	
Spice holder	ZC7G0P01
Length (mm)	356
Width (mm)	205

 **Houzz** PRO:
Blum Australia

 **Instagram:**
@blumaustralia, #blumaustralia

 **Facebook:**
facebook.com/blumaustralia

 **Android App on Google Play:**
Easy Assembly App

 **Available on the App Store:**
Easy Assembly App

 **Tag Us:**
#blumaustralia

**Blum Showrooms
Sydney (Head Office)**

10 Blackbird Close
Len Waters Estate NSW 2170
Ph: 02 9612 5400

Adelaide

179 Railway Terrace
Mile End SA 5031
Ph: 08 8118 6070

Brisbane

6/39-45 Compton Road
Underwood QLD 4119
Ph: 07 3135 9490

Melbourne

245 Ferntree Gully Road
Mount Waverley VIC 3149
Ph: 03 9982 1720

Perth

3/425 Scarborough Beach Road
Osborne Park WA 6017
Ph: 08 6467 0110

Blum Australia Pty Ltd
PO BOX 1615
Green Valley, NSW, 2168
Australia
Toll Free: 1800 179 186
E-mail: info.au@blum.com
blum.com

