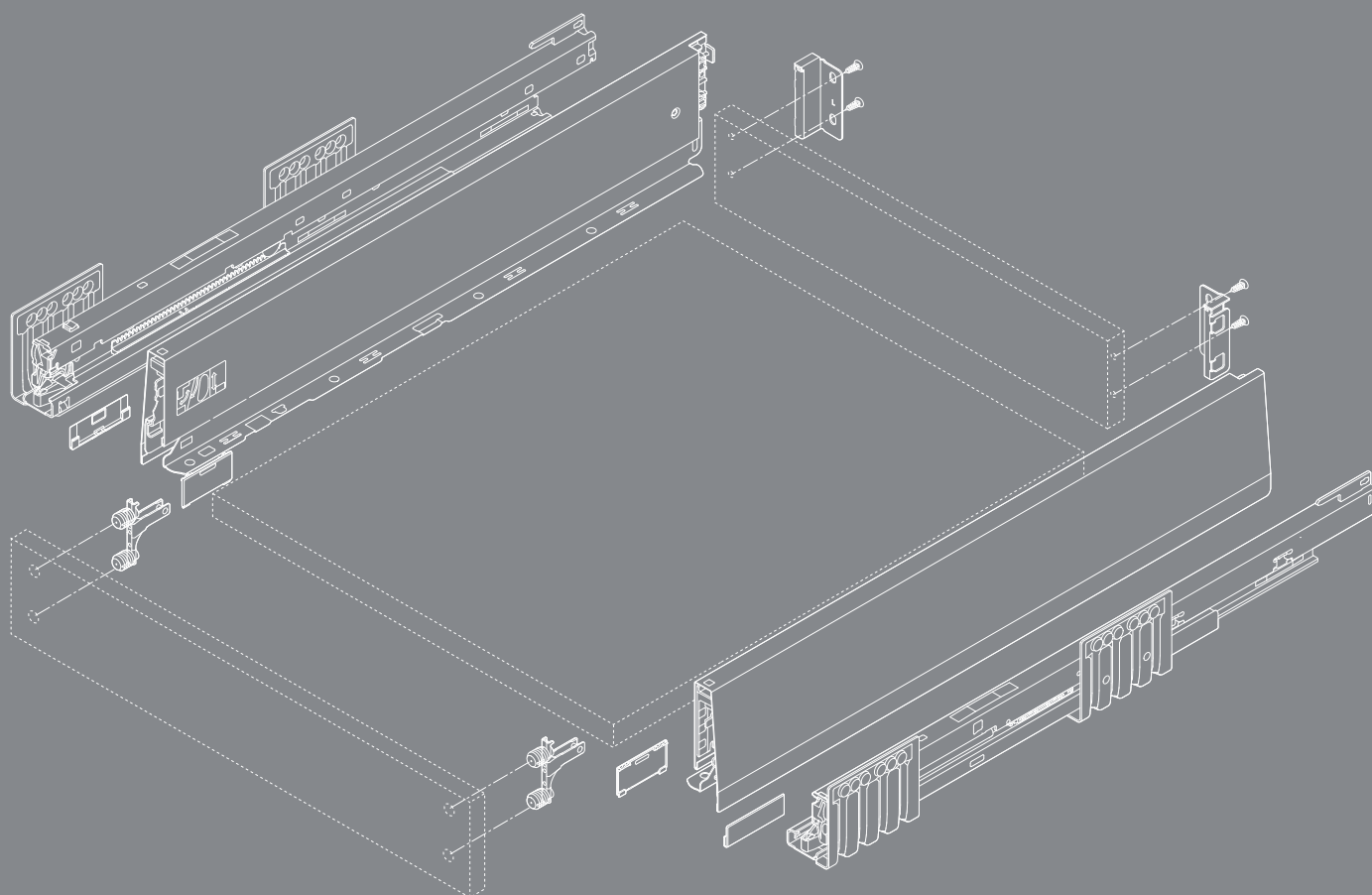


MERIVOBX

Ordering and planning information



Let's create – The box platform for your ideas



Contents

- 06** Overview of the product range
- 08** Drawer – height N
- 12** Drawer – height M
- 16** Inner drawer – height M
- 20** Drawer – height K
- 24** Inner drawer – height K
- High fronted pull-out – height E**
- 28** – MERIVOBX modular with gallery
- 32** – MERIVOBX modular with BOXCOVER
- 36** – MERIVOBX modular with BOXCAP
- Inner pull-out – height E**
- 40** – Front piece with gallery
- 44** – Front piece with design element
- 48** Sink pull-out – height M
- 52** Sink pull-out – height E
- 58** MERIVOBX ordering information for industrial packaging
- 60** Cabinet profile with over extension for waste bin applications
- 62** Accessories
- 64** Assembly devices
- 96** SERVO-DRIVE
- 99** TIP-ON BLUMOTION
- 100** Cutting dimensions for cutlery insert / non-slip mat
- 102** AMBIA-LINE

Innovation drivers



Platform

It takes just a few components to create your own extensive range. And you can make furniture manufacturing even more efficient at the same time. Diverse and yet simple.

Functionality

MERIVOBOX will inspire your customers for the lifetime of the furniture. The newly developed cabinet profile concept delivers extremely smooth running action and high load bearing capacity – coupled with a feather-light glide and enhanced stability.

Design

MERIVOBOX boasts straight lines and a striking look. Create your own diverse and unmistakable range of furniture! Modern minimalism meets distinctive design.

Assembly

A well-thought-out concept. No matter which model you opt for, assembly is always simple and adjustment always the same. It is extremely easy to achieve precise results.

Our services at a glance

Our services support you throughout your entire process – from planning, to design, all the way through to manufacturing. Take advantage of our tried-and-tested and user-friendly services for your projects with MERIVOBOX.



Concept, planning, quotation

Configure and save your MERIVOBOX projects effortlessly online. Our Product and Cabinet Configurator provides you with checked and complete parts lists.



Design

Our Product and Cabinet Configurator supports you in the configuration of furniture and matching MERIVOBOX fittings. Our CAD/CAM Data Service provides you with data on MERIVOBOX in the most common formats for your design.



Ordering

Simply transfer your parts lists from the Product and Cabinet Configurator directly to the webshop of selected distributors. To make it easy to order your MERIVOBOX configuration, you can manage your different projects and order lists with ease under "My projects" and "My order lists".



Manufacturing

Use our configurators and appropriate assembly devices to accelerate your production process. Simply use the BXF interface and EASYSTICK to transfer your planning results to MINIPRESS.



Find out more about our E-SERVICES:
www.blum.com/e-services



Register now free of charge to take advantage of E-SERVICES.
e-services.blum.com

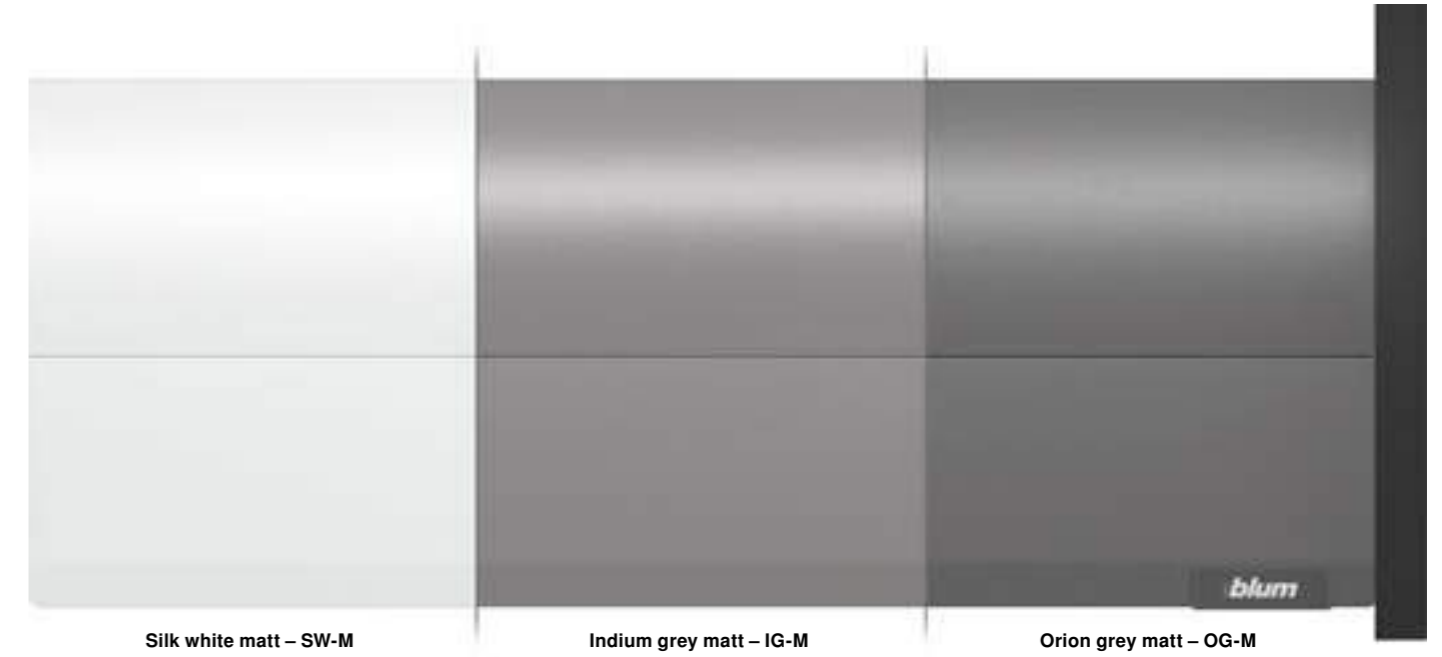
Our range at a glance



Facts

- Steel drawer sides in silk white matt, indium grey matt and orion grey matt
- Distinctive drawer side design
- Straight on the inside with flush cover cap
- Synchronised feather-light glide
- Insert the front in the holding position and simply clip on (easy attachment even if pull-out is already in place)
- 3-dimensional front adjustment

Colour range



Silk white matt – SW-M

Indium grey matt – IG-M

Orion grey matt – OG-M

Drawer side heights



Height N
68.5 mm

Height M
91 mm

Height K
129 mm

Height M
91 mm

Height K
129 mm



Height E
192 mm

Height E
192 mm

Height E
192 mm



Height E
192 mm

Height E
192 mm

Height E
192 mm



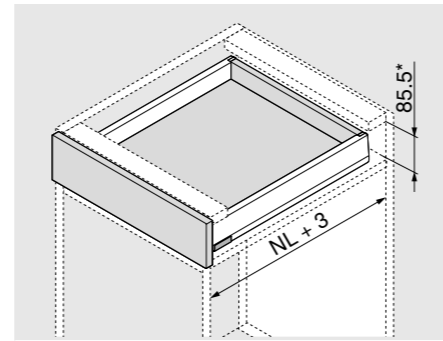
Height M
91 mm

Height E
192 mm

Product

Description

- BLUMOTION cabinet profile for all applications with interface for TIP-ON BLUMOTION and side stabiliser
- Can be combined with SERVO-DRIVE

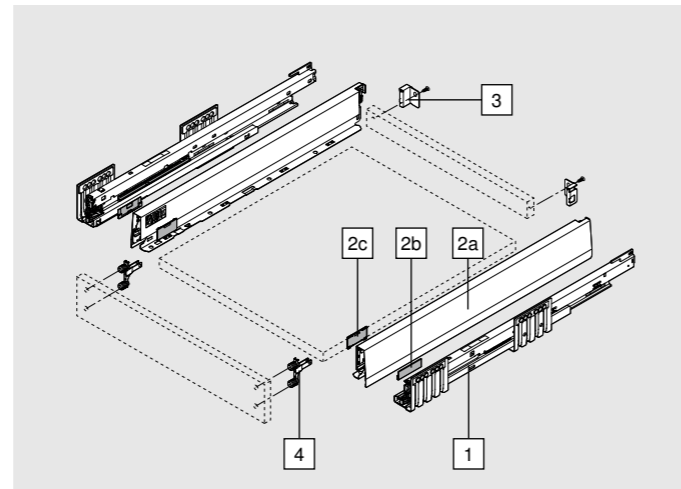
Space requirement


NL Nominal length
* Incl. 2 mm tilt adjustment

Ordering information

1	Cabinet profile left/right	
	Nominal length NL (mm)	BLUMOTION* 40 kg
	450	450.4501B
	500	450.5001B

* Suitable for SERVO-DRIVE and TIP-ON BLUMOTION



2	Drawer side set			
	Height of drawer side (mm)	N	68.5	
	Nominal length NL (mm)			SW-M IG-M OG-M
	450			470N4502S
500			470N5002S	

Consisting of:

2a	1 x	Drawer side left/right
2b	2 x	Branding element, stamped with Blum logo, custom printed from 1000 pcs
2c	2 x	Cover caps

3	Chipboard back fixings left/right			
	Height	Material	SW-M	IG-M OG-M
	N	Steel		ZB4N000S

Ordering information

4	Front fixing bracket		
	Fixing method		
	EXPANDO T	2 x	ZF4.10T2
	INSERTA	2 x	ZF4.10I2
	Screw-on*	2 x	ZF4.10O2

* Screws not included in scope of delivery

EXPANDO T suitable for thin fronts – see page 61

Accessories

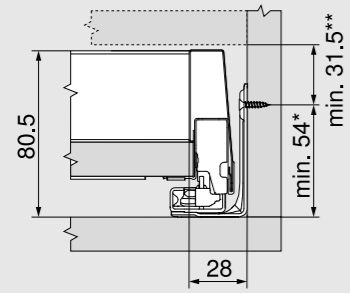
Fixing screw (flat head screw)			
	Ø (mm)	Length (mm)	Maximum screw head height: 2 mm
	3.5	15	For the connection of chipboard back fixings with chipboard back and drawer sides with drawer base

61R.1500

In order to achieve optimal assembly, we recommend that you use flat head screws for the chipboard back and drawer side

Planning

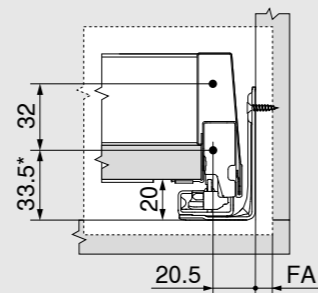
Space requirements in the cabinet



* + 1 mm if cabinet profile is installed before cabinet is assembled

** Incl. 2 mm tilt adjustment

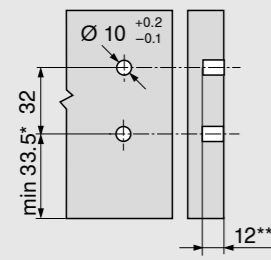
Front installation dimensions for screw-on assembly



* + 1 mm if cabinet profile is installed before cabinet is assembled

FA Front overlay

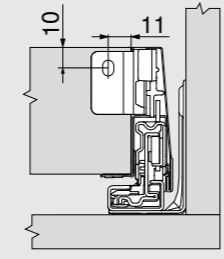
Front drilling distances for INSERTA/EXPANDO T



* + 1 mm if cabinet profile is installed before cabinet is assembled

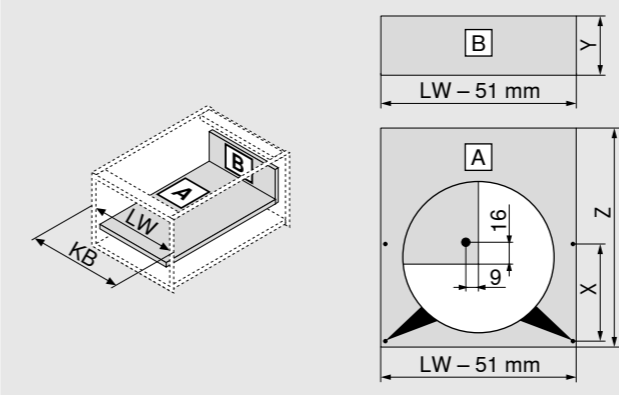
** min. 6 mm for EXPANDO T

Back installation dimensions



Planning

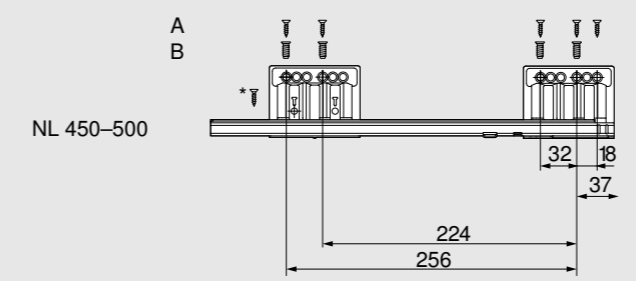
Cutting dimensions for 16 mm chipboard



Chipboard back	Y (mm)	
Height	60.5	
Base length	Z (mm)	
Chipboard back	NL - 26	
Position of drawer base drill hole		
Pre-drilling possible when using a flat head screw	NL (mm)	X (mm)
	> 400	256
KB Cabinet width		
LW Internal cabinet width		
NL Nominal length		

Cabinet profile screw position – 40 kg

Nominal length NL (mm)



A Chipboard screw Ø 4 x 15 mm

B System screws Ø 6 x 14.5 mm

* For greater lateral stability
Chipboard screw Ø 4 x 15 mm

Internal cabinet depth LT min. = NL + 3 mm

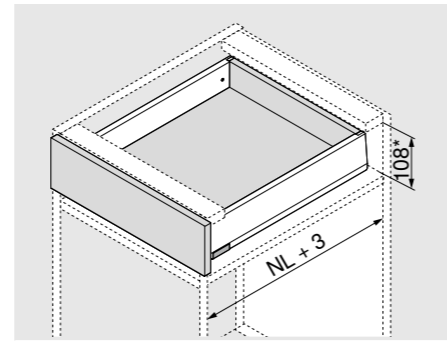
Product



Description

- BLUMOTION cabinet profile for all applications with interface for TIP-ON BLUMOTION and side stabiliser
- Can be combined with SERVO-DRIVE

Space requirement

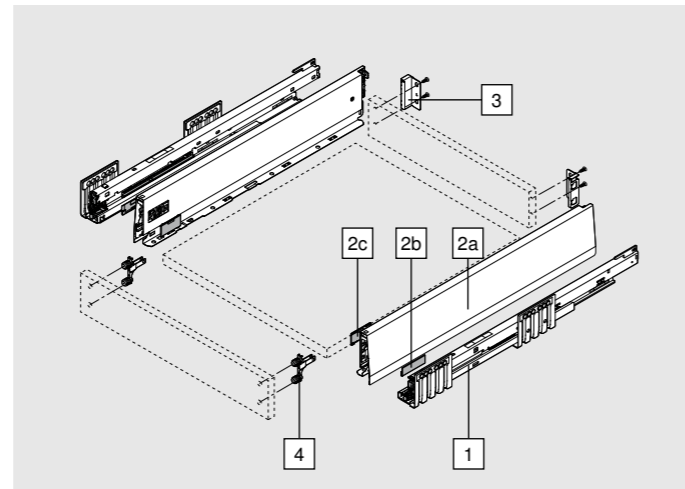


NL Nominal length
* Incl. 2 mm tilt adjustment

Ordering information

1	Cabinet profile left/right	
	Nominal length NL (mm)	BLUMOTION* 40 kg 70 kg
	270	450.2701B
	350	450.3501B
	400	450.4001B
	450	450.4501B 453.4501B
	500	450.5001B 453.5001B
	550	450.5501B 453.5501B
	600	450.6001B 453.6001B

* Suitable for SERVO-DRIVE and TIP-ON BLUMOTION



2	Drawer side set		
	Height of drawer side (mm)	M	91
	Nominal length NL (mm)	SW-M	IG-M OG-M
	270		470M2702S
	350		470M3502S
	400		470M4002S
	450		470M4502S
	500		470M5002S
	550		470M5502S
	600		470M6002S

Consisting of:

2a	1 x	Drawer side left/right
2b	2 x	Branding element, stamped with Blum logo, custom printed from 1000 pcs
2c	2 x	Cover caps

3	Chipboard back fixings left/right		
	Height	Material	SW-M IG-M OG-M
	M	Steel	ZB4M000S

Ordering information

4	Front fixing bracket		
	Fixing method		
	EXPANDO T	2 x	ZF4.10T2
	INSERTA	2 x	ZF4.10I2
	Screw-on*	2 x	ZF4.1002

* Screws not included in scope of delivery

EXPANDO T suitable for thin fronts – see page 61

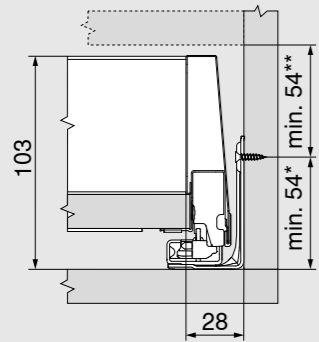
Accessories

Fixing screw (flat head screw)			
	Ø (mm)	Length (mm)	Maximum screw head height: 2 mm
	3.5	15	For the connection of chipboard back fixings with chipboard back and drawer sides with drawer base
			61R.1500

In order to achieve optimal assembly, we recommend that you use flat head screws for the chipboard back and drawer side

Planning

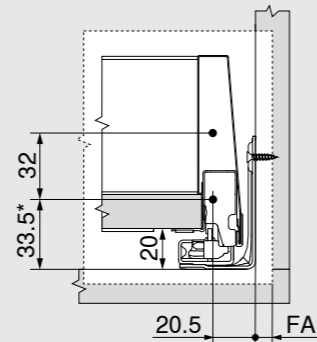
Space requirements in the cabinet



* + 1 mm if cabinet profile is installed before cabinet is assembled

** Incl. 2 mm tilt adjustment

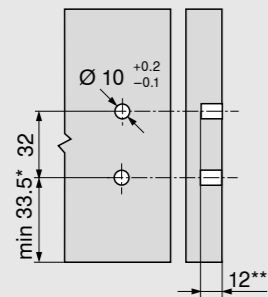
Front installation dimensions for screw-on assembly



* + 1 mm if cabinet profile is installed before cabinet is assembled

FA Front overlay

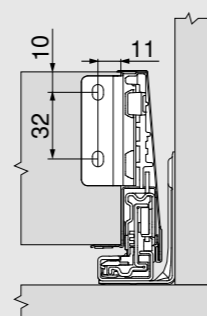
Front drilling distances for INSERTA/EXPANDO T



* + 1 mm if cabinet profile is installed before cabinet is assembled

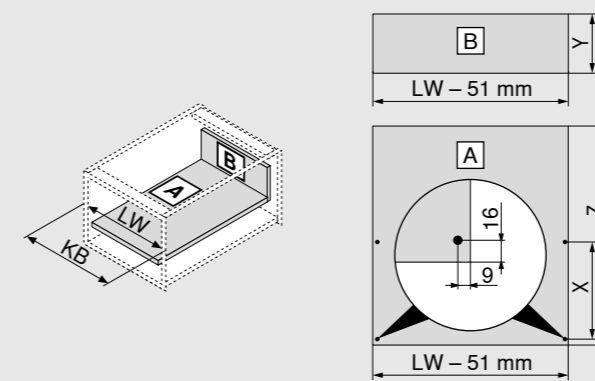
** min. 6 mm for EXPANDO T

Back installation dimensions



Planning

Cutting dimensions for 16 mm chipboard



Chipboard back	Y (mm)
Height	83
Base length	Z (mm)
Chipboard back	NL - 26

Position of drawer base drill hole

Pre-drilling possible when using a flat head screw	NL (mm)	X (mm)
	270	128
	300	128
> 350	256	

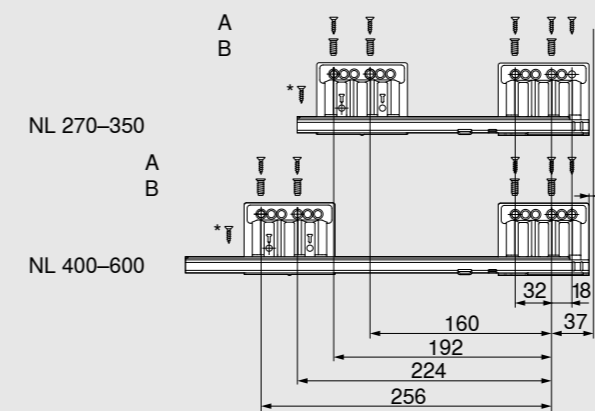
KB Cabinet width

LW Internal cabinet width

NL Nominal length

Cabinet profile screw position – 40 kg

Nominal length NL (mm)



A Chipboard screw Ø 4 x 15 mm

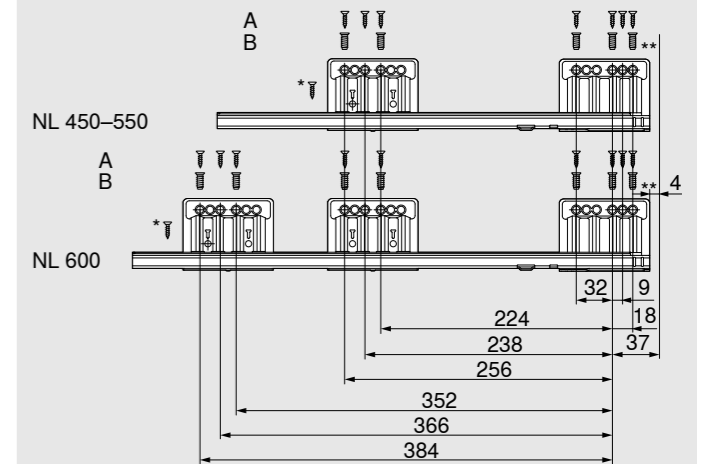
B System screws Ø 6 x 14.5 mm

* For greater lateral stability
Chipboard screw Ø 4 x 15 mm

Internal cabinet depth LT min. = NL + 3 mm

Cabinet profile screw position – 70 kg

Nominal length NL (mm)



A Chipboard screw Ø 4 x 15 mm

B System screws Ø 6 x 14.5 mm

* For greater lateral stability
Chipboard screw Ø 4 x 15 mm

** For greater vertical stability
Can be replaced with chipboard screw Ø 4 x 15 mm

Internal cabinet depth LT min. = NL + 3 mm

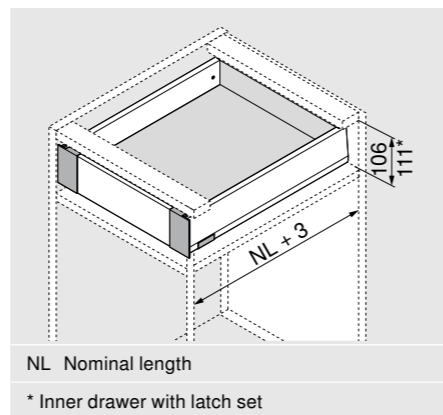
Product



Description

- Inner drawer with closed front piece
- Front piece and drawer sides are colour-coordinated
- Back height M
- Identical position of the cabinet profile
- SERVO-DRIVE for MERIVOBOX is only triggered by pulling for inset application pull-outs

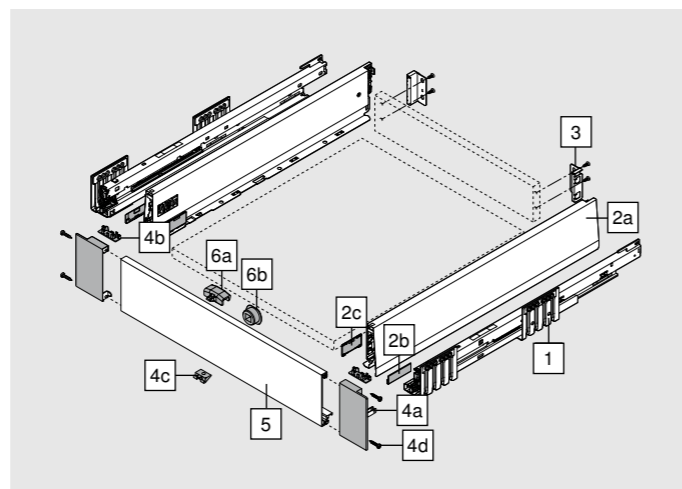
Space requirement



Ordering information

1	Cabinet profile left/right	
	Nominal length NL (mm)	BLUMOTION*
		40 kg 70 kg
	270	450.2701B
	350	450.3501B
	400	450.4001B
	450	450.4501B 453.4501B
	500	450.5001B 453.5001B
	550	450.5501B 453.5501B
	600	450.6001B 453.6001B

* Suitable for SERVO-DRIVE and TIP-ON BLUMOTION



2	Drawer side set			
	Height of drawer side (mm)	M	91	
	Nominal length NL (mm)	SW-M	IG-M	OG-M
	270	470M2702S		
	350	470M3502S		
	400	470M4002S		
	450	470M4502S		
	500	470M5002S		
	550	470M5502S		
	600	470M6002S		

Consisting of:

2a	1 x	Drawer side left/right
2b	2 x	Branding element, stamped with Blum logo, custom printed from 1000 pcs
2c	2 x	Cover caps

3	Chipboard back fixings left/right				
	Height	Material	SW-M	IG-M	OG-M
	M	Steel	ZB4M000S		

Ordering information

4	Front piece set			
Material	SW-M	IG-M	OG-M	
	Steel	Z14.0MS1		

Consisting of:

4a	1 x	Front fixing left/right
4b	2 x	Internal cover cap
4c	1 x	Locking piece
4d	4 x	Screws

5	Front piece without groove			
Material	SW-M	IG-M	OG-M	
	Aluminium	ZV4.1042M		
Suitable for cabinet width KB up to 1200 mm				

For cutting to size

Cutting: Internal cabinet width LW - 126 mm

Accessories

6	Latch set (optional)*			
Material	SW-M	IG-M	OG-M	
	Nylon	Z17.0M07		

Latch must be mounted on the front piece

* Cannot be used in combination with TIP-ON BLUMOTION

Consisting of:

6a	1 x	Latch
6b	1 x	Latch housing (RAL 7037 dust grey)

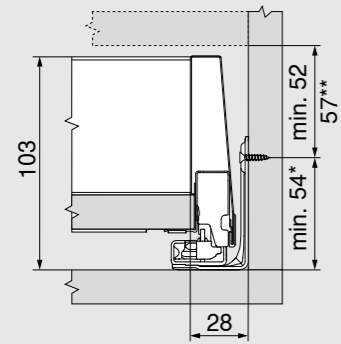
Fixing screw (flat head screw)

Ø (mm)	Length (mm)	Maximum screw head height: 2 mm	
		3.5	15

In order to achieve optimal assembly, we recommend that you use flat head screws for the chipboard back and drawer side

Planning

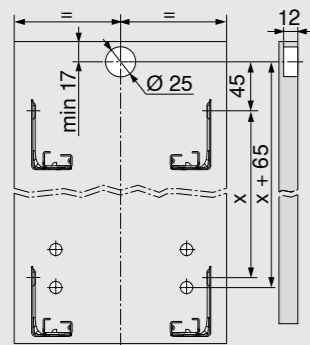
Space requirements in the cabinet



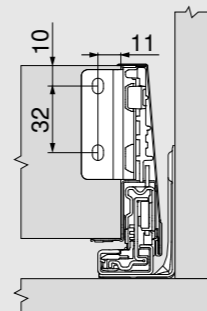
* + 1 mm if cabinet profile is installed before cabinet is assembled

** Inner drawer with latch set possible from height 57 mm

Front drilling distances for latch housing

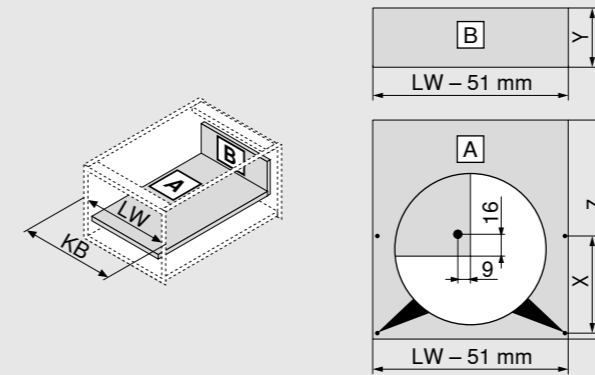


Back installation dimensions



Planning

Cutting dimensions for 16 mm chipboard



Chipboard back	Y (mm)
Height	83
Base length	Z (mm)
Chipboard back	NL - 26

Position of drawer base drill hole

Pre-drilling possible when using a flat head screw	NL (mm)	X (mm)
	270	128
	300	128
	> 350	256

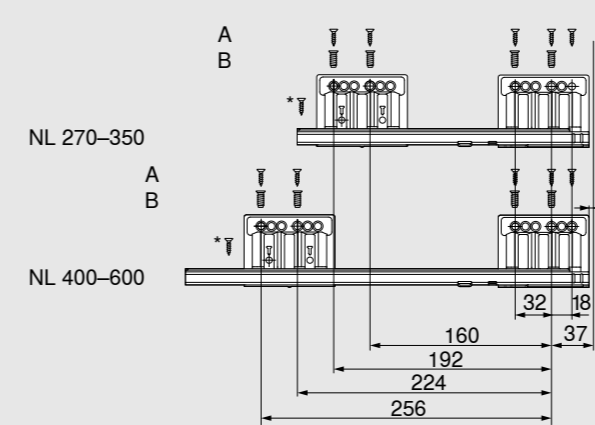
KB Cabinet width

LW Internal cabinet width

NL Nominal length

Cabinet profile screw position – 40 kg

Nominal length NL (mm)



A Chipboard screw Ø 4 x 15 mm

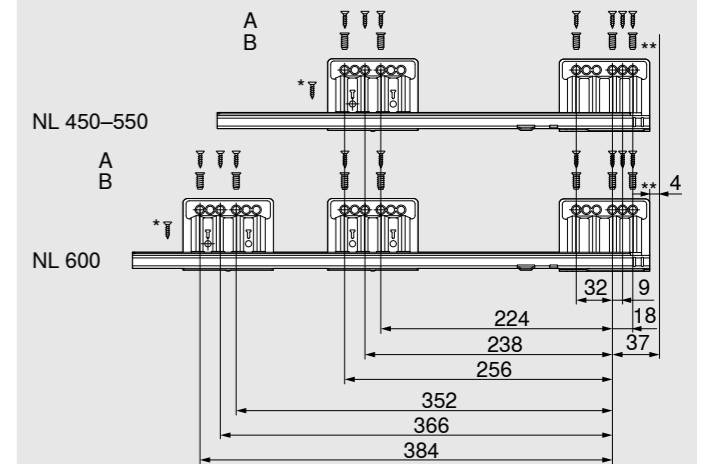
B System screws Ø 6 x 14.5 mm

* For greater lateral stability
Chipboard screw Ø 4 x 15 mm

Internal cabinet depth LT min. = NL + 3 mm

Cabinet profile screw position – 70 kg

Nominal length NL (mm)



A Chipboard screw Ø 4 x 15 mm

B System screws Ø 6 x 14.5 mm

* For greater lateral stability
Chipboard screw Ø 4 x 15 mm

** For greater vertical stability
Can be replaced with chipboard screw Ø 4 x 15 mm

Internal cabinet depth LT min. = NL + 3 mm

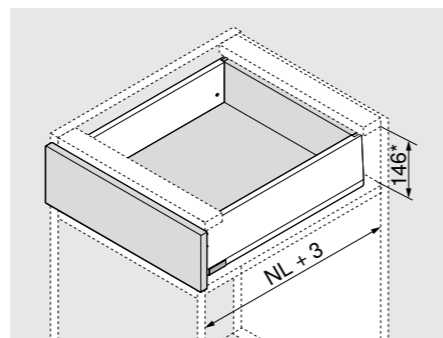
Product



Description

- BLUMOTION cabinet profile for all applications with interface for TIP-ON BLUMOTION and side stabiliser
- Can be combined with SERVO-DRIVE

Space requirement



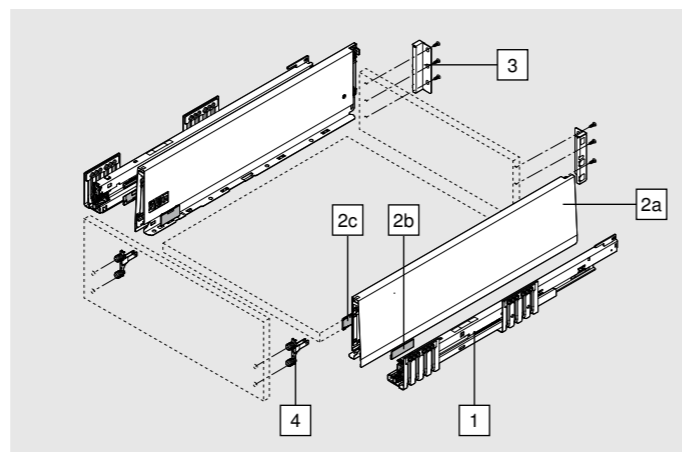
NL Nominal length

* Incl. 2 mm tilt adjustment

Ordering information

1	Cabinet profile left/right	
	Nominal length NL (mm)	BLUMOTION*
		40 kg 70 kg
	400	450.4001B 453.4501B
	450	450.4501B 453.4501B
	500	450.5001B 453.5001B
	550	450.5501B 453.5501B
	600	450.6001B 453.6001B

* Suitable for SERVO-DRIVE and TIP-ON BLUMOTION



2	Drawer side set			
	Height of drawer side (mm)	K	129	
	Nominal length NL (mm)	SW-M	IG-M	OG-M
	400		470K4002S	
	450		470K4502S	
	500		470K5002S	
	550		470K5502S	
	600		470K6002S	

Consisting of:

2a	1 x	Drawer side left/right
2b	2 x	Branding element, stamped with Blum logo, custom printed from 1000 pcs
2c	2 x	Cover caps

3	Chipboard back fixings left/right				
	Height	Material	SW-M	IG-M	OG-M
	K	Steel		ZB4K000S	

Ordering information

4	Front fixing bracket		
	Fixing method		
	EXPANDO T	2 x	ZF4.10T2
	INSERTA	2 x	ZF4.10I2
	Screw-on*	2 x	ZF4.10O2

* Screws not included in scope of delivery

EXPANDO T suitable for thin fronts – see page 61

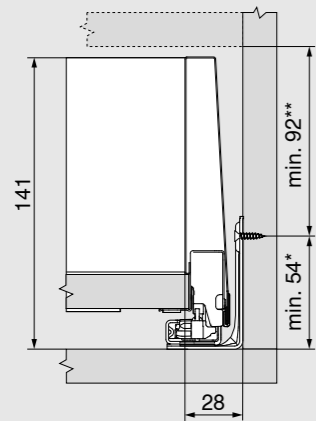
Accessories

Fixing screw (flat head screw)			
	Ø (mm)	Length (mm)	Maximum screw head height: 2 mm
	3.5	15	For the connection of chipboard back fixings with chipboard back and drawer sides with drawer base
			61R.1500

In order to achieve optimal assembly, we recommend that you use flat head screws for the chipboard back and drawer side

Planning

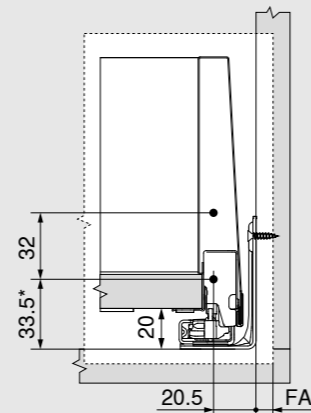
Space requirements in the cabinet



* + 1 mm if cabinet profile is installed before cabinet is assembled

** Incl. 2 mm tilt adjustment

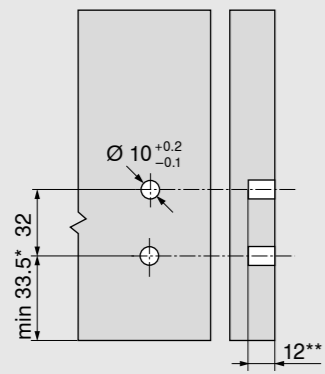
Front installation dimensions for screw-on assembly



* + 1 mm if cabinet profile is installed before cabinet is assembled

FA Front overlay

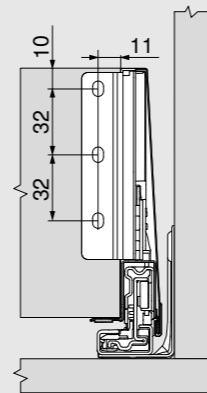
Front drilling distances for INSERTA/EXPANDO T



* + 1 mm if cabinet profile is installed before cabinet is assembled

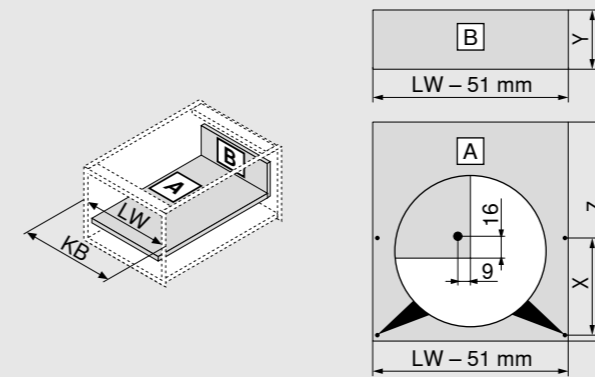
** min. 6 mm for EXPANDO T

Back installation dimensions



Planning

Cutting dimensions for 16 mm chipboard



Chipboard back	Y (mm)
Height	121
Base length	Z (mm)
Chipboard back	NL - 26

Position of drawer base drill hole

Pre-drilling possible when using a flat head screw	NL (mm)	X (mm)
	> 400	256

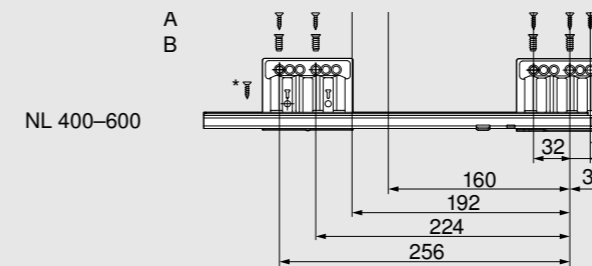
KB Cabinet width

LW Internal cabinet width

NL Nominal length

Cabinet profile screw position – 40 kg

Nominal length NL (mm)



A Chipboard screw Ø 4 x 15 mm

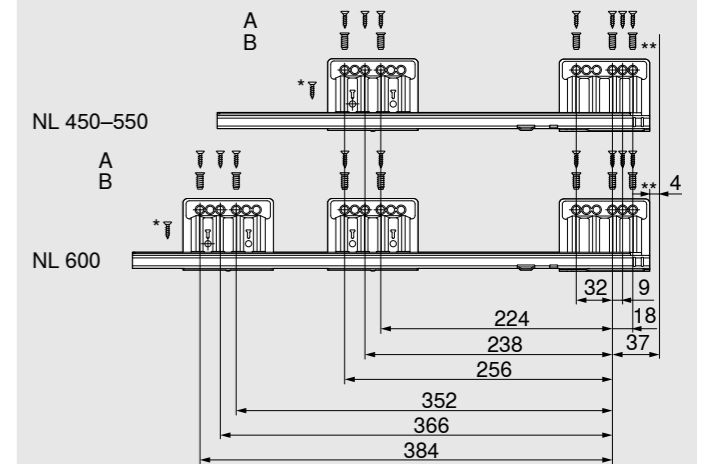
B System screws Ø 6 x 14.5 mm

* For greater lateral stability
Chipboard screw Ø 4 x 15 mm

Internal cabinet depth LT min. = NL + 3 mm

Cabinet profile screw position – 70 kg

Nominal length NL (mm)



A Chipboard screw Ø 4 x 15 mm

B System screws Ø 6 x 14.5 mm

* For greater lateral stability
Chipboard screw Ø 4 x 15 mm

** For greater vertical stability
Can be replaced with chipboard screw Ø 4 x 15 mm

Internal cabinet depth LT min. = NL + 3 mm

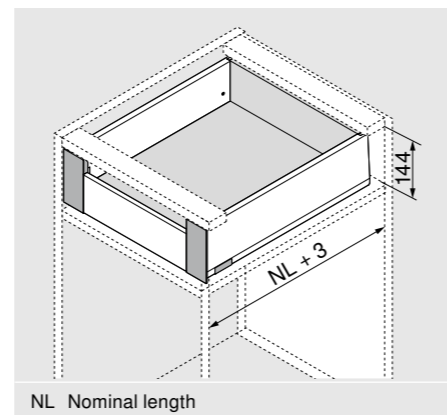
Product



Description

- Inner drawer with closed front piece
- Front piece and drawer sides are colour-coordinated
- Back height K
- Identical position of the cabinet profile
- SERVO-DRIVE for MERIVOBOX is only triggered by pulling for inset application pull-outs

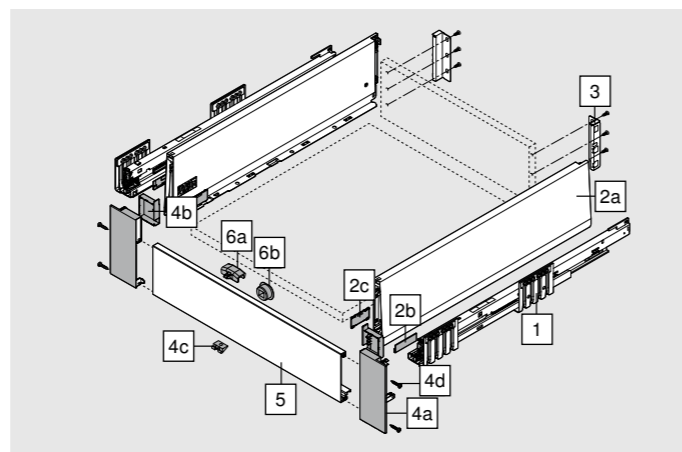
Space requirement



Ordering information

1	Cabinet profile left/right		
	Nominal length NL (mm)	BLUMOTION*	
		40 kg	70 kg
	400	450.4001B	
	450	450.4501B	453.4501B
	500	450.5001B	453.5001B
	550	450.5501B	453.5501B
	600	450.6001B	453.6001B

* Suitable for SERVO-DRIVE and TIP-ON BLUMOTION



2	Drawer side set			
	Height of drawer side (mm)	K	129	
	Nominal length NL (mm)			
		SW-M	IG-M	OG-M
	400		470K4002S	
	450		470K4502S	
	500		470K5002S	
	550		470K5502S	
	600		470K6002S	

Consisting of:

2a	1 x	Drawer side left/right
2b	2 x	Branding element, stamped with Blum logo, custom printed from 1000 pcs
2c	2 x	Cover caps

3	Chipboard back fixings left/right				
	Height	Material	SW-M	IG-M	OG-M
	K	Steel		ZB4K000S	

Ordering information

4	Front piece set			
	Material	SW-M	IG-M	OG-M
	Steel		ZI4.1KS1	

Consisting of:

4a	1 x	Front fixing left/right
4b	1 x	Internal cover cap left/right
4c	1 x	Locking piece
4d	4 x	Screws

5	Front piece without groove			
	Material	SW-M	IG-M	OG-M
	Aluminium		ZV4.1042M	
Suitable for cabinet width KB up to 1200 mm				

For cutting to size

Cutting: Internal cabinet width LW - 126 mm

Accessories

6	Latch set (optional)*			
	Material	SW-M	IG-M	OG-M
	Nylon		ZI7.0M07	

Latch must be mounted on the front piece

* Cannot be used in combination with TIP-ON BLUMOTION

Consisting of:

6a	1 x	Latch
6b	1 x	Latch housing (RAL 7037 dust grey)

Fixing screw (flat head screw)

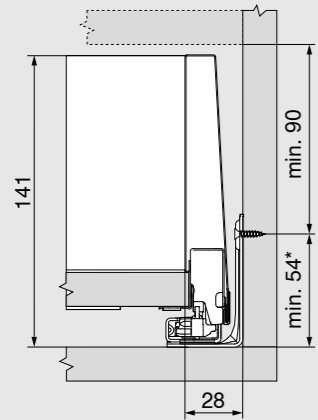
	Ø (mm)	Length (mm)	Maximum screw head height: 2 mm
	3.5	15	For the connection of chipboard back fixings with chipboard back and drawer sides with drawer base

61R.1500

In order to achieve optimal assembly, we recommend that you use flat head screws for the chipboard back and drawer side

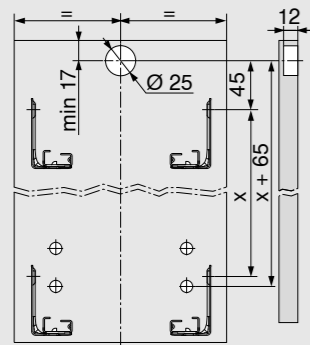
Planning

Space requirements in the cabinet

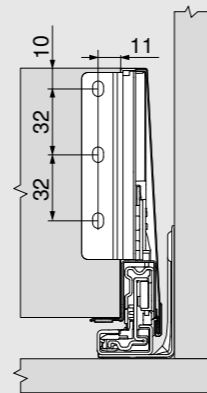


* + 1 mm if cabinet profile is installed before cabinet is assembled

Front drilling distances for latch housing

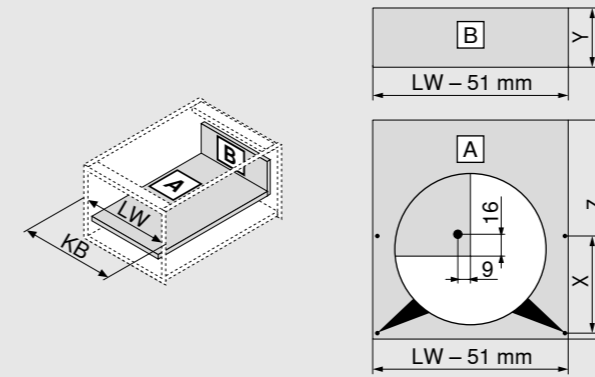


Back installation dimensions



Planning

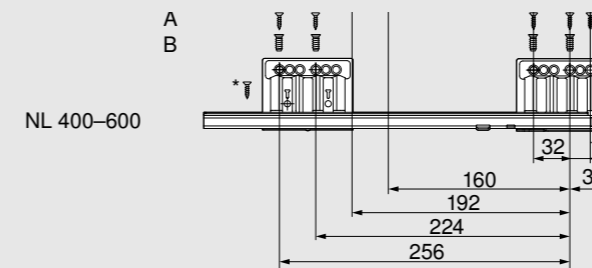
Cutting dimensions for 16 mm chipboard



Chipboard back	Y (mm)	
Height	121	
Base length	Z (mm)	
Chipboard back	NL - 26	
Position of drawer base drill hole		
Pre-drilling possible when using a flat head screw	NL (mm)	X (mm)
	> 400	256
KB Cabinet width		
LW Internal cabinet width		
NL Nominal length		

Cabinet profile screw position – 40 kg

Nominal length NL (mm)

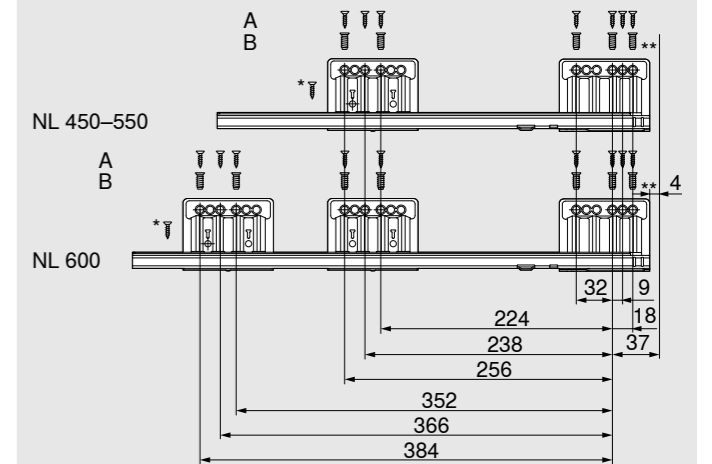


- A Chipboard screw Ø 4 x 15 mm
- B System screws Ø 6 x 14.5 mm
- * For greater lateral stability
Chipboard screw Ø 4 x 15 mm

Internal cabinet depth LT min. = NL + 3 mm

Cabinet profile screw position – 70 kg

Nominal length NL (mm)



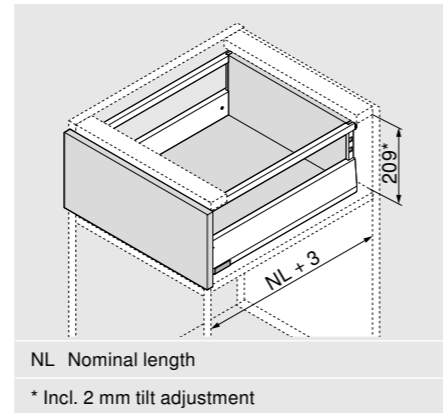
- A Chipboard screw Ø 4 x 15 mm
- B System screws Ø 6 x 14.5 mm
- * For greater lateral stability
Chipboard screw Ø 4 x 15 mm
- ** For greater vertical stability
Can be replaced with chipboard screw Ø 4 x 15 mm

Internal cabinet depth LT min. = NL + 3 mm

Product

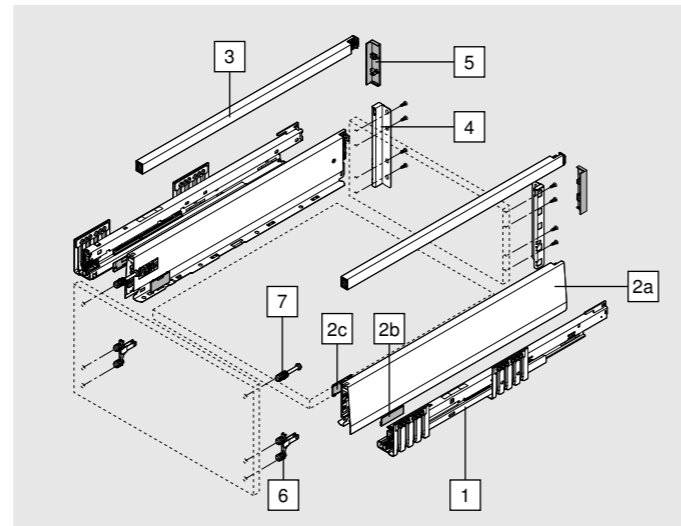
Description

- BLUMOTION cabinet profile for all applications with interface for TIP-ON BLUMOTION and side stabiliser
- Can be combined with SERVO-DRIVE

Space requirement

Ordering information

1	Cabinet profile left/right		
	Nominal length NL (mm)	BLUMOTION*	
		40 kg	70 kg
	270	450.2701B	
	350	450.3501B	
	400	450.4001B	
	450	450.4501B	453.4501B
	500	450.5001B	453.5001B
	550	450.5501B	453.5501B
	600	450.6001B	453.6001B

* Suitable for SERVO-DRIVE and TIP-ON BLUMOTION



2	Drawer side set			
	Height of drawer side (mm)	M	91	
	Nominal length NL (mm)	SW-M	IG-M	OG-M
	270		470M2702S	
	350		470M3502S	
	400		470M4002S	
	450		470M4502S	
	500		470M5002S	
	550		470M5502S	
	600		470M6002S	

Consisting of:

2a	1 x	Drawer side left/right
2b	2 x	Branding element, stamped with Blum logo, custom printed from 1000 pcs
2c	2 x	Cover caps

Ordering information

3	Gallery left/right				
	Nominal length NL (mm)	Material	SW-M	IG-M	OG-M
	270	Steel		ZR4.270RS.E	
	350			ZR4.350RS.E	
	400			ZR4.400RS.E	
	450			ZR4.450RS.E	
	500			ZR4.500RS.E	
	550			ZR4.550RS.E	
	600			ZR4.600RS.E	

4	Chipboard back fixings left/right				
	Height	Material	SW-M	IG-M	OG-M
	E	Steel		ZB4E000S	

5	Cabinet back cover cap (optional)				
	Version	Material	SW-M	IG-M	OG-M
	Symmetrical	Nylon			
			2 x	ZB4E00AK	

6	Front fixing bracket			
	Fixing method			
	EXPANDO T		2 x	ZF4.10T2
	INSERTA		2 x	ZF4.10I2
	Screw-on*		2 x	ZF4.10O2

* Screws not included in scope of delivery


EXPANDO T suitable for thin fronts – see page 61

7	Front fixing bracket, top			
	Fixing method			
	EXPANDO T		2 x	ZF4.50T2
	INSERTA		2 x	ZF4.50I2
	Screw-on – pre-assembled chipboard screw Ø 3.8 x 11.4 mm		2 x	ZF4.50O2

EXPANDO T suitable for thin fronts – see page 61

Ordering information

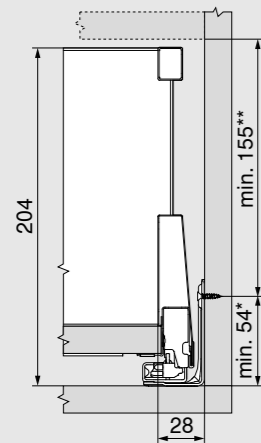
Accessories

Fixing screw (flat head screw)			
	Ø (mm)	Length (mm)	Maximum screw head height: 2 mm
	3.5	15	For the connection of chipboard back fixings with chipboard back and drawer sides with drawer base
			61R.1500

In order to achieve optimal assembly, we recommend that you use flat head screws for the chipboard back and drawer side

Planning

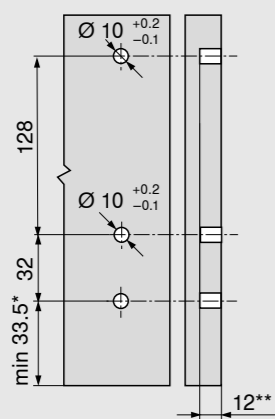
Space requirements in the cabinet



* + 1 mm if cabinet profile is installed before cabinet is assembled

** Incl. 2 mm tilt adjustment

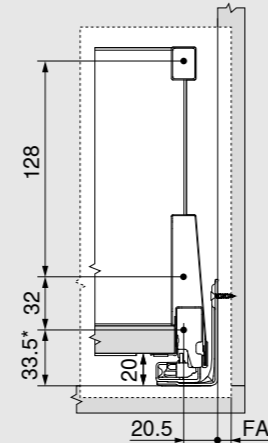
Front drilling distances for INSERTA/EXPANDO T



* + 1 mm if cabinet profile is installed before cabinet is assembled

** min. 6 mm for EXPANDO T

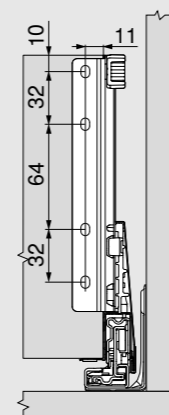
Front installation dimensions for screw-on assembly



* + 1 mm if cabinet profile is installed before cabinet is assembled

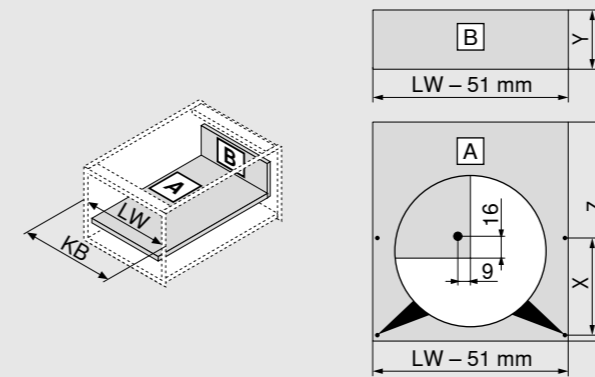
FA Front overlay

Back installation dimensions



Planning

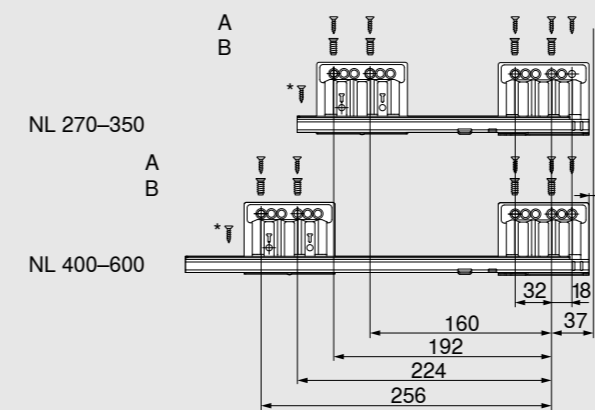
Cutting dimensions for 16 mm chipboard



Chipboard back		
Height		Y (mm)
		184
Base length		Z (mm)
Chipboard back		NL - 26
Position of drawer base drill hole		
Pre-drilling possible when using a flat head screw	NL (mm)	X (mm)
	270	128
	> 350	256
KB	Cabinet width	
LW	Internal cabinet width	
NL	Nominal length	

Cabinet profile screw position – 40 kg

Nominal length NL (mm)



A Chipboard screw Ø 4 x 15 mm

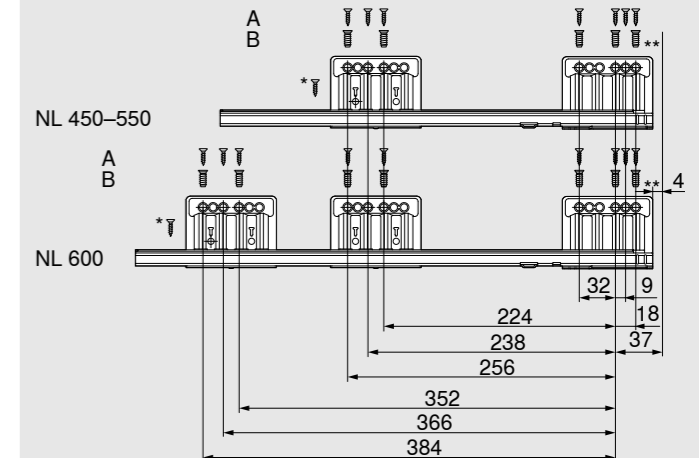
B System screws Ø 6 x 14.5 mm

* For greater lateral stability
Chipboard screw Ø 4 x 15 mm

Internal cabinet depth LT min. = NL + 3 mm

Cabinet profile screw position – 70 kg

Nominal length NL (mm)



A Chipboard screw Ø 4 x 15 mm

B System screws Ø 6 x 14.5 mm

* For greater lateral stability
Chipboard screw Ø 4 x 15 mm

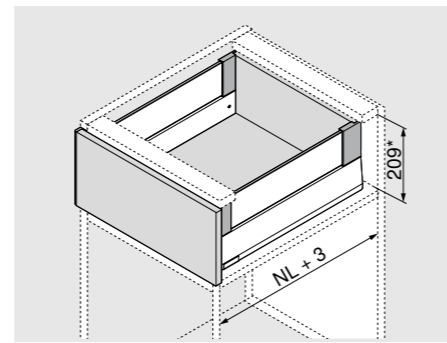
** For greater vertical stability
Can be replaced with chipboard screw Ø 4 x 15 mm

Internal cabinet depth LT min. = NL + 3 mm

Product

Description

- BLUMOTION cabinet profile for all applications with interface for TIP-ON BLUMOTION and side stabiliser
- Can be combined with SERVO-DRIVE

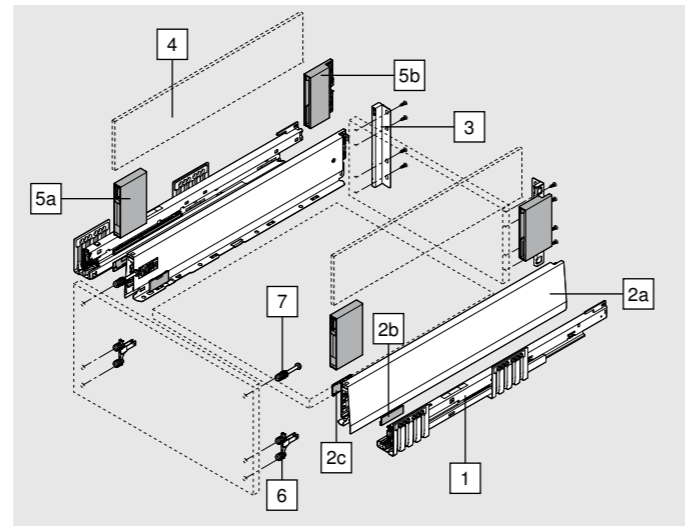
Space requirement


NL Nominal length
* Incl. 2 mm tilt adjustment

Ordering information

1	Cabinet profile left/right		
	Nominal length NL (mm)	BLUMOTION*	
		40 kg	70 kg
	450	450.4501B	453.4501B
	500	450.5001B	453.5001B
	550	450.5501B	453.5501B
	600	450.6001B	453.6001B

* Suitable for SERVO-DRIVE and TIP-ON BLUMOTION



2	Drawer side set				
	Height of drawer side (mm)	M	91		
	Nominal length NL (mm)	SW-M	IG-M	OG-M	
	450	470M4502S			
	500	470M5002S			
	550	470M5502S			
	600	470M6002S			
Consisting of:					
2a	1 x	Drawer side left/right			
2b	2 x	Branding element, stamped with Blum logo, custom printed from 1000 pcs			
2c	2 x	Cover caps			
3	Chipboard back fixings left/right				
	Height	Material	SW-M	IG-M	OG-M
	E	Steel	ZB4E000S		

Ordering information

4	Glass design element (side)	
	Nominal length NL (mm)	Clear
	450	ZE4M360G
	500	ZE4M410G
	550	ZE4M460G
	600	ZE4M510G
Consisting of:		
4	2 x	Glass design element
Note		
In the case of other nominal lengths NL, cut the next longest design element to size accordingly		
For cut-to-size dimension see page 35		
To guarantee a safe connection between the front and BOXCOVER, the sides of the glass must be cleaned prior to assembly (required from a front height of more than 455 mm).		


5	BOXCOVER left/right				
	Height	Material	SW-M	IG-M	OG-M
	M	Steel	ZL4M00808		
	8 mm design element				
For front heights greater than 455 mm, the clamping screw must be tightened – 1.5 to 2 Nm					
Consisting of:					
5a	1 x	BOXCOVER front left/right			
5b	1 x	BOXCOVER back left/right			
Including clamp jaws for attaching the glass design element					
When using the INSERTA front fixing bracket, make sure that the front fixing bracket is folded up or down.					

6	Front fixing bracket		
	Fixing method		
	EXPANDO T	2 x	ZF4.10T2
	INSERTA	2 x	ZF4.10I2
	Screw-on*	2 x	ZF4.1002
* Screws not included in scope of delivery			
EXPANDO T suitable for thin fronts – see page 61			

7	Front fixing bracket, top		
	Fixing method		
	EXPANDO T	2 x	ZF4.50T2
	INSERTA	2 x	ZF4.50I2
	Screw-on – pre-assembled chipboard screw Ø 3.8 x 11.4 mm	2 x	ZF4.5002
EXPANDO T suitable for thin fronts – see page 61			

Ordering information

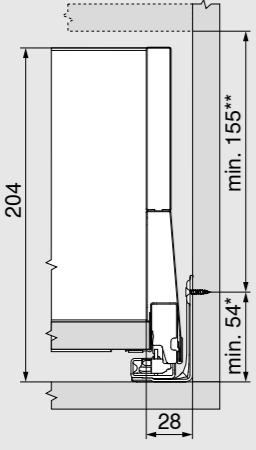
Accessories

Fixing screw (flat head screw)			
	Ø (mm)	Length (mm)	Maximum screw head height: 2 mm
	3.5	15	For the connection of chipboard back fixings with chipboard back and drawer sides with drawer base
			61R.1500

In order to achieve optimal assembly, we recommend that you use flat head screws for the chipboard back and drawer side

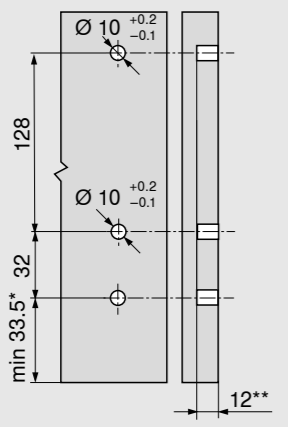
Planning

Space requirements in the cabinet



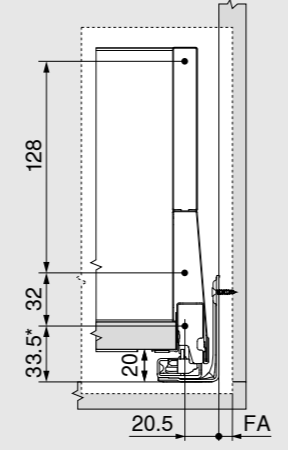
* + 1 mm if cabinet profile is installed before cabinet is assembled
 ** Incl. 2 mm tilt adjustment

Front drilling distances for INSERTA/EXPANDO T



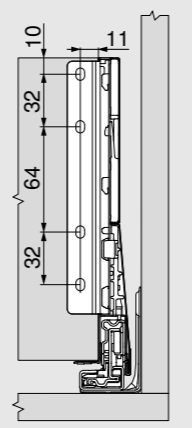
* + 1 mm if cabinet profile is installed before cabinet is assembled
 ** min. 6 mm for EXPANDO T

Front installation dimensions for screw-on assembly



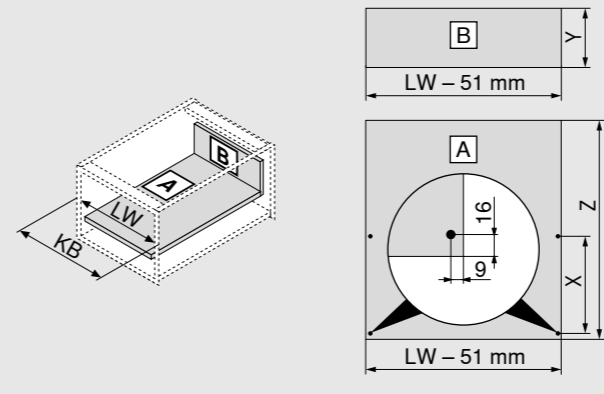
* + 1 mm if cabinet profile is installed before cabinet is assembled
 FA Front overlay

Back installation dimensions



Planning

Cutting dimensions for 16 mm chipboard



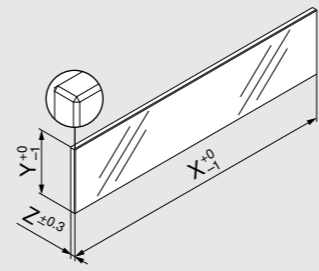
Chipboard back		Y (mm)
Height		184
Base length		Z (mm)
Chipboard back		NL - 26

Position of drawer base drill hole

Pre-drilling possible when using a flat head screw	NL (mm)	X (mm)
	270	128
	> 350	256

KB Cabinet width
 LW Internal cabinet width
 NL Nominal length

Cutting – design element



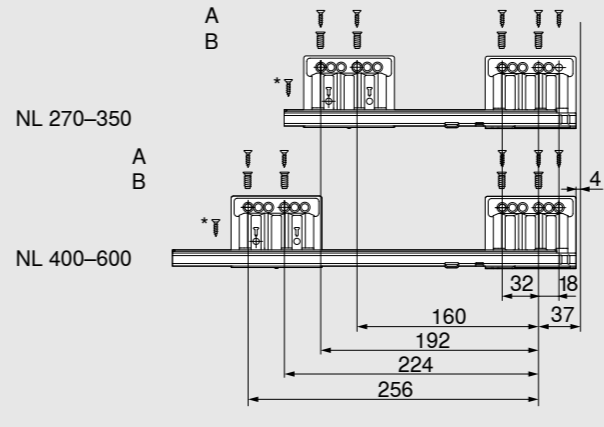
Design element	X (mm)	Y (mm)	Z (mm)
Side	NL - 90	95	8

NL Nominal length

"Impact testing for vertically installed glass parts" as per standard DIN EN 14749 (dated June 2016) is not required due to the dimensions of the design element in combination with MERIVOBX. No safety glass is required to comply with the standard. The edge is a polished flat edge with a 1 mm ± 0.5 mm bevel.

Cabinet profile screw position – 40 kg

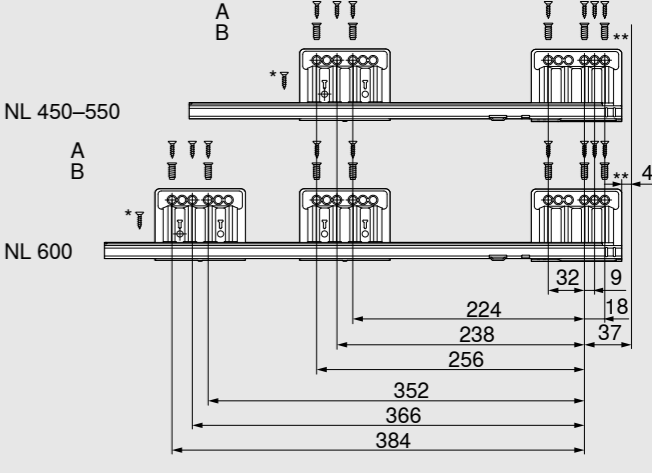
Nominal length NL (mm)



A	Chipboard screw Ø 4 x 15 mm
B	System screws Ø 6 x 14.5 mm
*	For greater lateral stability Chipboard screw Ø 4 x 15 mm
Internal cabinet depth LT min. = NL + 3 mm	

Cabinet profile screw position – 70 kg

Nominal length NL (mm)

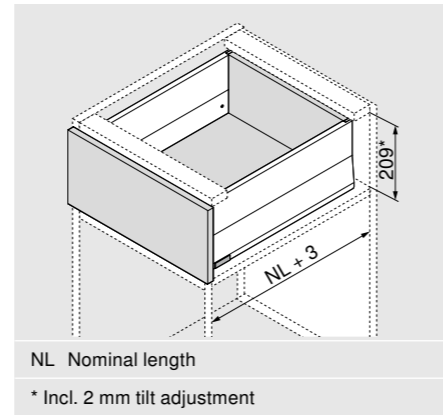


A	Chipboard screw Ø 4 x 15 mm
B	System screws Ø 6 x 14.5 mm
*	For greater lateral stability Chipboard screw Ø 4 x 15 mm
**	For greater vertical stability Can be replaced with chipboard screw Ø 4 x 15 mm
Internal cabinet depth LT min. = NL + 3 mm	

Product

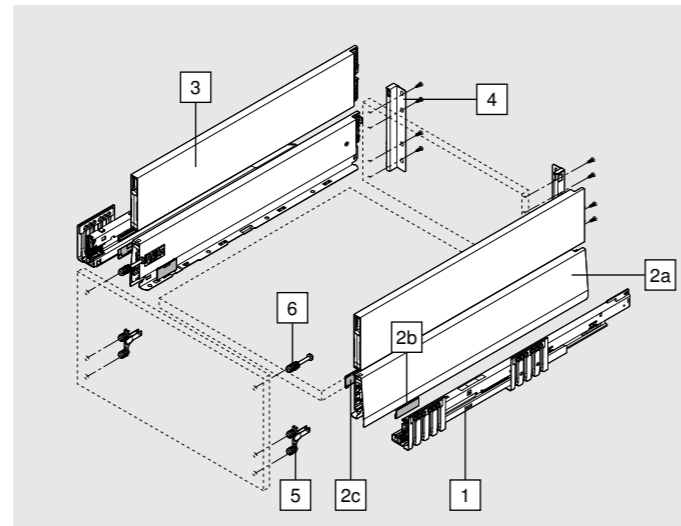
Description

- BLUMOTION cabinet profile for all applications with interface for TIP-ON BLUMOTION and side stabiliser
- Can be combined with SERVO-DRIVE

Space requirement

Ordering information

1	Cabinet profile left/right	
	Nominal length NL (mm)	BLUMOTION*
		40 kg 70 kg
	270	450.2701B
	350	450.3501B
	400	450.4001B
	450	450.4501B 453.4501B
	500	450.5001B 453.5001B
	550	450.5501B 453.5501B
	600	450.6001B 453.6001B

* Suitable for SERVO-DRIVE and TIP-ON BLUMOTION



2	Drawer side set			
	Height of drawer side (mm)	M	91	
	Nominal length NL (mm)	SW-M	IG-M	OG-M
	270	470M2702S		
	350	470M3502S		
	400	470M4002S		
	450	470M4502S		
	500	470M5002S		
	550	470M5502S		
	600	470M6002S		

Consisting of:

2a	1 x	Drawer side left/right
2b	2 x	Branding element, stamped with Blum logo, custom printed from 1000 pcs
2c	2 x	Cover caps

Ordering information

3	BOXCAP left/right				
	Material	Steel	SW-M	IG-M	OG-M
	Nominal length NL (mm)				
	270	ZL4.270S.E			
	350	ZL4.350S.E			
	400	ZL4.400S.E			
	450	ZL4.450S.E			
	500	ZL4.500S.E			
	550	ZL4.550S.E			
	600	ZL4.600S.E			

4	Chipboard back fixings left/right				
	Height	Material	SW-M	IG-M	OG-M
	E	Steel	ZB4E000S		

5	Front fixing bracket			
	Fixing method			
	EXPANDO T	2 x	ZF4.10T2	
	INSERTA	2 x	ZF4.10I2	
	Screw-on*	2 x	ZF4.1002	

* Screws not included in scope of delivery

EXPANDO T suitable for thin fronts – see page 61

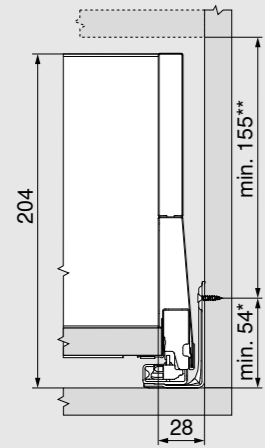
6	Front fixing bracket, top			
	Fixing method			
	EXPANDO T	2 x	ZF4.50T2	
	INSERTA	2 x	ZF4.50I2	
	Screw-on – pre-assembled chipboard screw Ø 3.8 x 11.4 mm	2 x	ZF4.5002	

EXPANDO T suitable for thin fronts – see page 61

Accessories

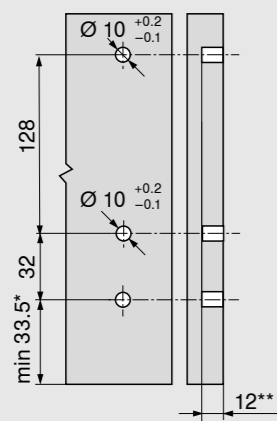
Fixing screw (flat head screw)			
	Ø (mm)	Length (mm)	Maximum screw head height: 2 mm
	3.5	15	For the connection of chipboard back fixings with chipboard back and drawer sides with drawer base
			61R.1500

In order to achieve optimal assembly, we recommend that you use flat head screws for the chipboard back and drawer side

Planning
Space requirements in the cabinet


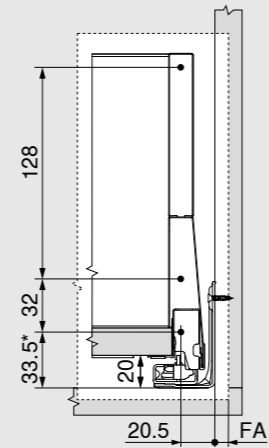
* + 1 mm if cabinet profile is installed before cabinet is assembled

** Incl. 2 mm tilt adjustment

Front drilling distances for INSERTA/EXPANDO T


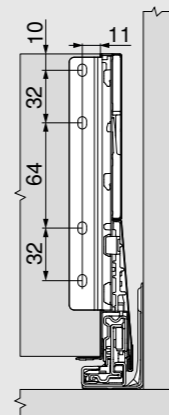
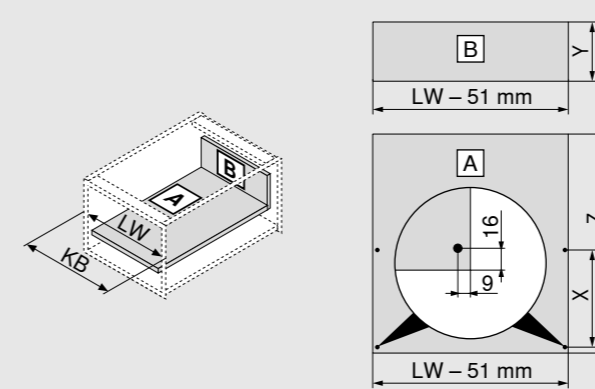
* + 1 mm if cabinet profile is installed before cabinet is assembled

** min. 6 mm for EXPANDO T

Front installation dimensions for screw-on assembly


* + 1 mm if cabinet profile is installed before cabinet is assembled

FA Front overlay

Back installation dimensions

Planning
Cutting dimensions for 16 mm chipboard


Chipboard back		Y (mm)
Height		184
Base length		Z (mm)
Chipboard back		NL - 26

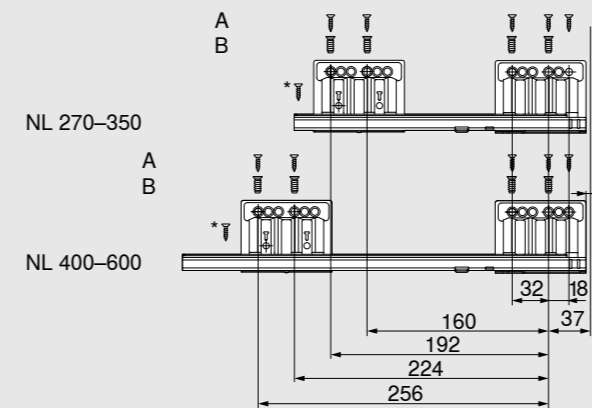
Position of drawer base drill hole

Pre-drilling possible when using a flat head screw	NL (mm)	X (mm)
	270	128
	> 350	256

KB Cabinet width

LW Internal cabinet width

NL Nominal length

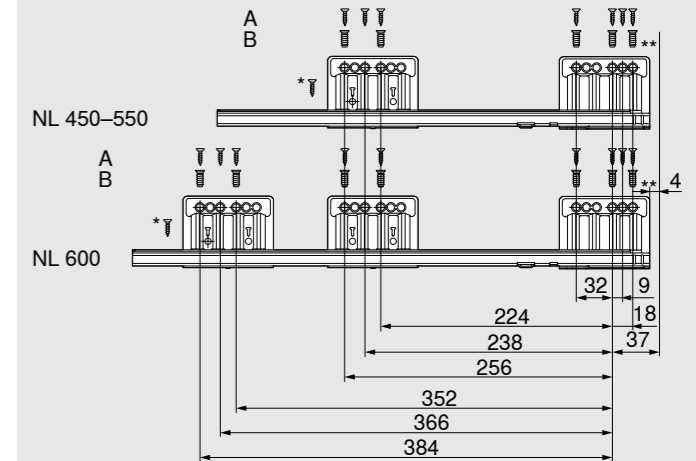
Cabinet profile screw position – 40 kg
Nominal length NL (mm)


A Chipboard screw Ø 4 x 15 mm

B System screws Ø 6 x 14.5 mm

 * For greater lateral stability
Chipboard screw Ø 4 x 15 mm

Internal cabinet depth LT min. = NL + 3 mm

Cabinet profile screw position – 70 kg
Nominal length NL (mm)


A Chipboard screw Ø 4 x 15 mm

B System screws Ø 6 x 14.5 mm

 * For greater lateral stability
Chipboard screw Ø 4 x 15 mm

 ** For greater vertical stability
Can be replaced with chipboard screw Ø 4 x 15 mm

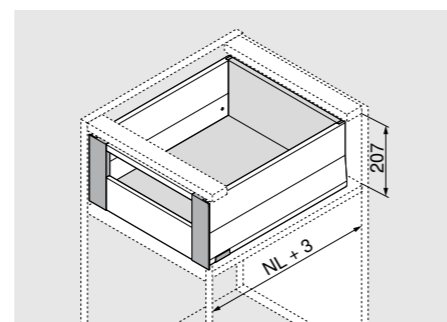
Internal cabinet depth LT min. = NL + 3 mm

Front piece with gallery
Product


Example of inner pull-out using BOXCAP

Description

- Inner pull-out with gallery for direct access to contents
- Front piece, drawer sides and gallery are colour-coordinated
- SERVO-DRIVE for MERIVOBX is only triggered by pulling for inset application pull-outs

Space requirement


NL Nominal length

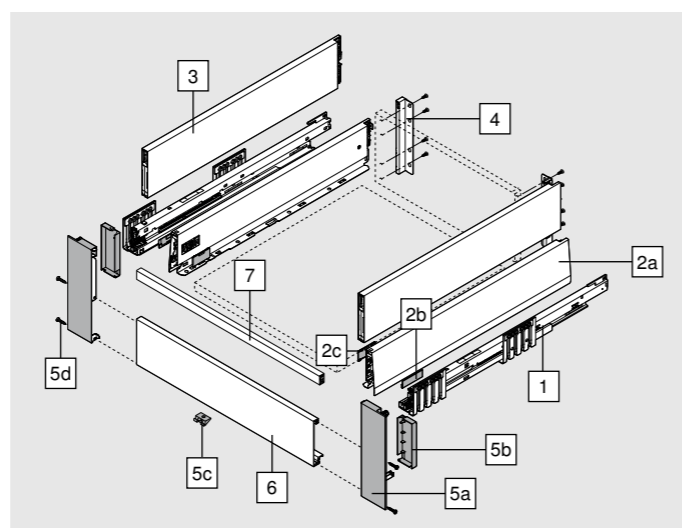
Ordering information
Application recommendation

All inner pull-out options can be combined with any high fronted pull-out option in height E. Please see the relevant page for the components to be ordered. All components apart from the front fixing bracket are needed.

High fronted pull-out modular with gallery	28
High fronted pull-out modular with BOXCOVER	32
High fronted pull-out modular with BOXCAP	36

1	Cabinet profile left/right	
	Nominal length NL (mm)	BLUMOTION* 40 kg 70 kg
	270	450.2701B
	350	450.3501B
	400	450.4001B
	450	450.4501B 453.4501B
	500	450.5001B 453.5001B
	550	450.5501B 453.5501B
	600	450.6001B 453.6001B

* Suitable for SERVO-DRIVE and TIP-ON BLUMOTION



2	Drawer side set	
	Height of drawer side (mm)	M 91
	Nominal length NL (mm)	SW-M IG-M OG-M
	270	470M2702S
	350	470M3502S
	400	470M4002S
	450	470M4502S
	500	470M5002S
	550	470M5502S
	600	470M6002S

Consisting of:

2a	1 x	Drawer side left/right
2b	2 x	Branding element, stamped with Blum logo, custom printed from 1000 pcs
2c	2 x	Cover caps

Front piece with gallery
Ordering information

3	BOXCAP left/right			
	Material	Steel		
	Nominal length NL (mm)		SW-M	IG-M
	270			ZL4.270S.E
	350			ZL4.350S.E
	400			ZL4.400S.E
	450			ZL4.450S.E
	500			ZL4.500S.E
	550			ZL4.550S.E
	600			ZL4.600S.E

4	Chipboard back fixings left/right			
	Height	Material	SW-M	IG-M
	E	Steel		ZB4E000S

5	Front piece set			
	Material	SW-M	IG-M	OG-M
	Steel			ZI4.2ES1

Consisting of:

5a	1 x	Front fixing left/right
5b	1 x	Internal cover cap left/right
5c	1 x	Locking piece
5d	4 x	Screws

6	Front piece without groove			
	Material	SW-M	IG-M	OG-M
	Aluminium			ZV4.1042M
	Suitable for cabinet width KB up to 1200 mm			

For cutting to size

Cutting:	Internal cabinet width LW - 126 mm
-----------------	------------------------------------

7	Cross gallery			
	Material	SW-M	IG-M	OG-M
	Aluminium			ZR4.1059U
	Suitable for cabinet width KB up to 1200 mm			


For cutting to size

Cutting:	Internal cabinet width LW - 111 mm
-----------------	------------------------------------

Front piece with gallery

Ordering information

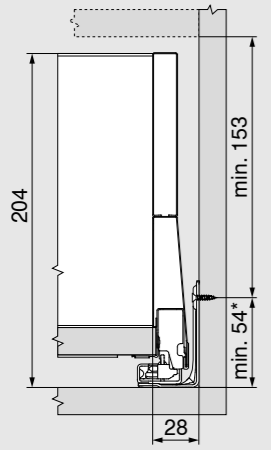
Accessories

Fixing screw (flat head screw)			
	Ø (mm)	Length (mm)	Maximum screw head height: 2 mm
	3.5	15	For the connection of chipboard back fixings with chipboard back and drawer sides with drawer base
			61R.1500

In order to achieve optimal assembly, we recommend that you use flat head screws for the chipboard back and drawer side

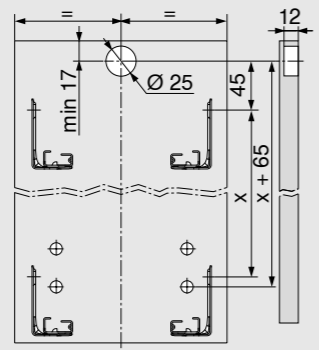
Planning

Space requirements in the cabinet

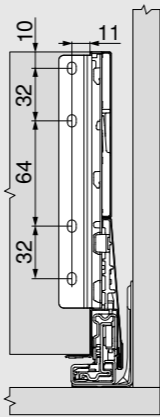


* + 1 mm if cabinet profile is installed before cabinet is assembled

Front drilling distances for latch housing



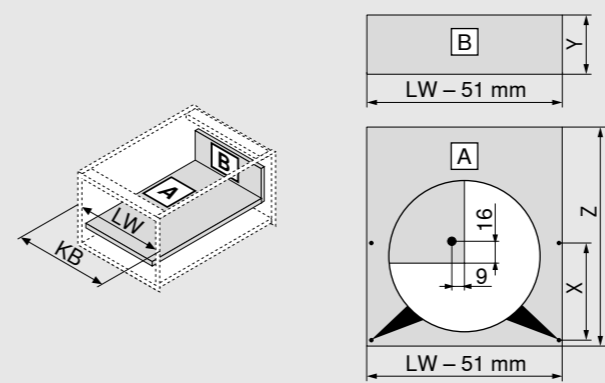
Back installation dimensions



Front piece with gallery

Planning

Cutting dimensions for 16 mm chipboard



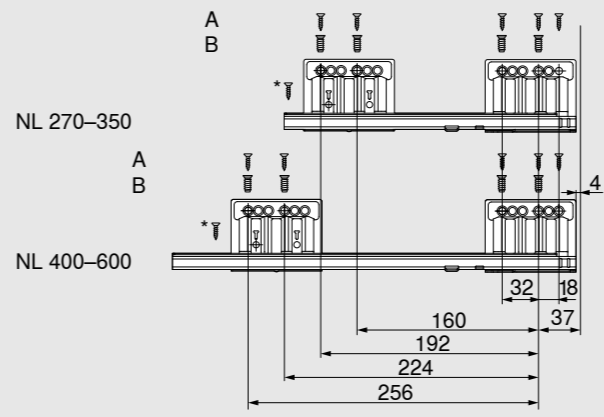
Chipboard back		Y (mm)
Height		184
Base length		Z (mm)
Chipboard back		NL - 26

Position of drawer base drill hole		
Pre-drilling possible when using a flat head screw	NL (mm)	X (mm)
	270	128
	> 350	256

KB Cabinet width
LW Internal cabinet width
NL Nominal length

Cabinet profile screw position – 40 kg

Nominal length NL (mm)

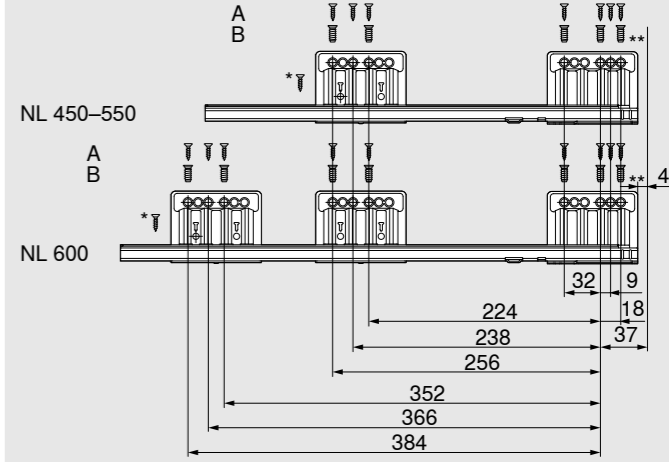


A	Chipboard screw Ø 4 x 15 mm
B	System screws Ø 6 x 14.5 mm
*	For greater lateral stability Chipboard screw Ø 4 x 15 mm

Internal cabinet depth LT min. = NL + 3 mm

Cabinet profile screw position – 70 kg

Nominal length NL (mm)



A	Chipboard screw Ø 4 x 15 mm
B	System screws Ø 6 x 14.5 mm
*	For greater lateral stability Chipboard screw Ø 4 x 15 mm
**	For greater vertical stability Can be replaced with chipboard screw Ø 4 x 15 mm

Internal cabinet depth LT min. = NL + 3 mm

Front piece with design element

Product

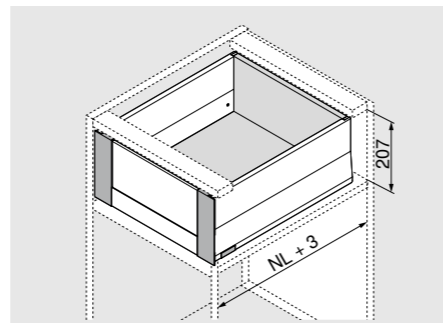


Example of inner pull-out using BOXCAP

Description

- Inner pull-out for high and low design element
- Front piece and drawer sides are colour-coordinated
- SERVO-DRIVE for MERIVOBOX is only triggered by pulling for inset application pull-outs

Space requirement



NL Nominal length

Ordering information

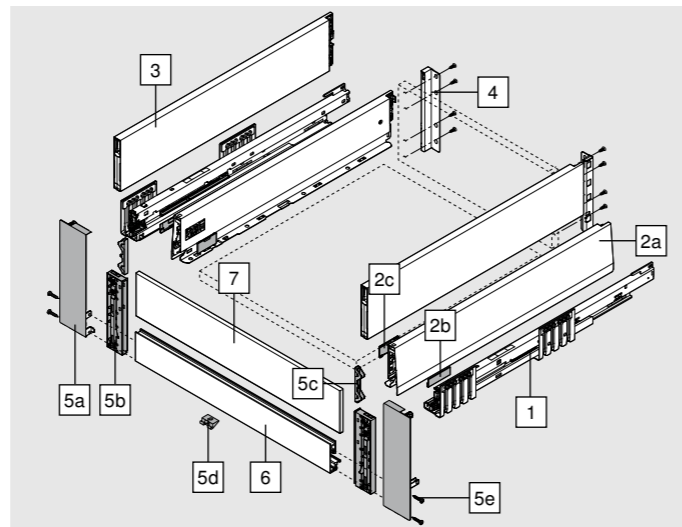
Application recommendation

All inner pull-out options can be combined with any high fronted pull-out option in height E. Please see the relevant page for the components to be ordered. All components apart from the front fixing bracket are needed.

High fronted pull-out modular with gallery	28
High fronted pull-out modular with BOXCOVER	32
High fronted pull-out modular with BOXCAP	36

1	Cabinet profile left/right	BLUMOTION*	
		40 kg	70 kg
	Nominal length NL (mm)		
	270	450.2701B	
	350	450.3501B	
	400	450.4001B	
	450	450.4501B	453.4501B
	500	450.5001B	453.5001B
	550	450.5501B	453.5501B
600	450.6001B	453.6001B	

* Suitable for SERVO-DRIVE and TIP-ON BLUMOTION



2	Drawer side set	Height of drawer side (mm)	M	91			
					SW-M	IG-M	OG-M
	Nominal length NL (mm)						
	270				470M2702S		
	350				470M3502S		
	400				470M4002S		
	450				470M4502S		
	500				470M5002S		
	550				470M5502S		
600				470M6002S			

Consisting of:

2a	1 x	Drawer side left/right
2b	2 x	Branding element, stamped with Blum logo, custom printed from 1000 pcs
2c	2 x	Cover caps

Front piece with design element

Ordering information

3	BOXCAP left/right			
	Material	Steel		
	Nominal length NL (mm)	SW-M	IG-M	OG-M
	270	ZL4.270S.E		
	350	ZL4.350S.E		
	400	ZL4.400S.E		
	450	ZL4.450S.E		
	500	ZL4.500S.E		
	550	ZL4.550S.E		
600	ZL4.600S.E			

4	Chipboard back fixings left/right				
	Height	Material	SW-M	IG-M	OG-M
	E	Steel	ZB4E000S		

5	Front piece set			
	Material	SW-M	IG-M	OG-M
	Steel	Z14.4ES1		

Consisting of:

5a	1 x	Front fixing left/right
5b	1 x	Glass fixing left/right
5c	2 x	Adapter piece for front piece with a low design element
5d	1 x	Locking piece
5e	4 x	Screws

6	Front piece with groove			
	Material	SW-M	IG-M	OG-M
	Aluminium	ZV4.1042NN		
	Suitable for cabinet width KB up to 1200 mm			

For cutting to size

Cutting: Internal cabinet width LW - 126 mm

7	Glass design element (for inner pull-out front)				
	Material	Colour	Low design element	High design element	
	Glass	Clear			
	Cabinet side panel thickness (mm)				
	Cabinet width (mm)	15/16	15/16		
	600	ZE4L464G	ZE4H464G		
1200	ZE4L1064G	ZE4H1064G			

Consisting of:

7	1 x	Glass design element
---	-----	----------------------


In the case of other cabinet widths KB, cut the next longest design element to size accordingly

For cut-to-size dimension see page 47

Front piece with design element

Ordering information

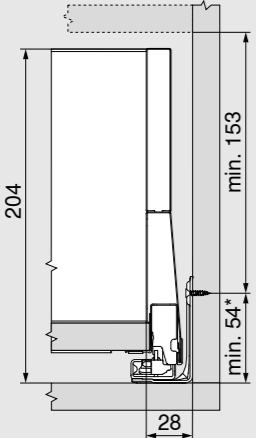
Accessories

Fixing screw (flat head screw)			
	Ø (mm)	Length (mm)	Maximum screw head height: 2 mm
	3.5	15	For the connection of chipboard back fixings with chipboard back and drawer sides with drawer base
			61R.1500

In order to achieve optimal assembly, we recommend that you use flat head screws for the chipboard back and drawer side

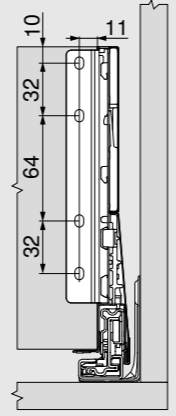
Planning

Space requirements in the cabinet



* + 1 mm if cabinet profile is installed before cabinet is assembled

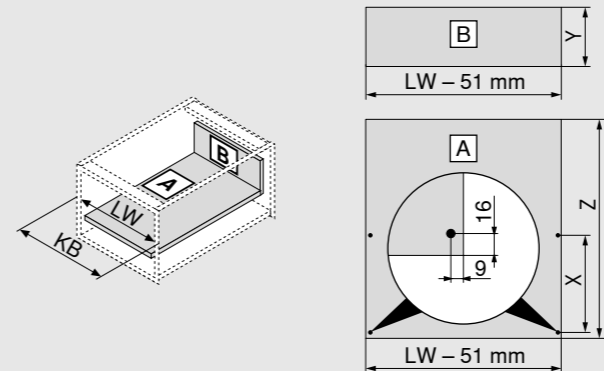
Back installation dimensions



Front piece with design element

Planning

Cutting dimensions for 16 mm chipboard



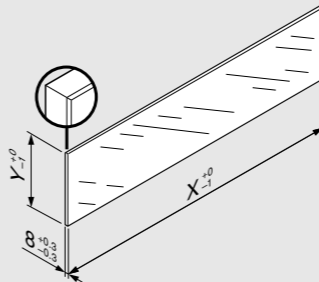
Chipboard back	Y (mm)
Height	184
Base length	Z (mm)
Chipboard back	NL - 26

Position of drawer base drill hole

Pre-drilling possible when using a flat head screw	NL (mm)	X (mm)
	270	128
	> 350	256

KB Cabinet width
LW Internal cabinet width
NL Nominal length

Cutting – design element



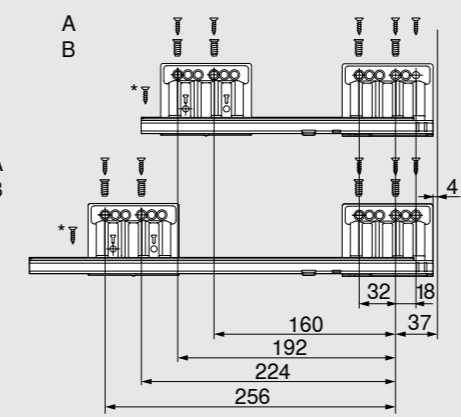
Design element	X (mm)	Y (mm)
Low	LW - 104	75
High	LW - 104	142.5

LW Internal cabinet width

"Impact testing for vertically installed glass parts" as per standard DIN EN 14749 (dated June 2016) is not required due to the dimensions of the design element in combination with MERIVOBOX. No safety glass is required to comply with the standard. The edge is a polished flat edge with a 1 mm ± 0.5 mm bevel.

Cabinet profile screw position – 40 kg

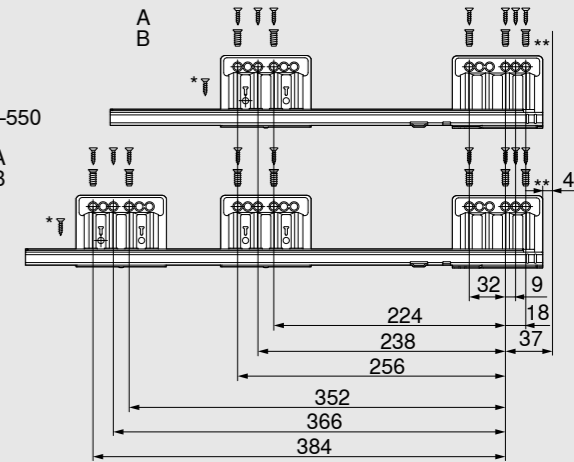
Nominal length NL (mm)



A	Chipboard screw Ø 4 x 15 mm
B	System screws Ø 6 x 14.5 mm
*	For greater lateral stability Chipboard screw Ø 4 x 15 mm
Internal cabinet depth LT min. = NL + 3 mm	

Cabinet profile screw position – 70 kg

Nominal length NL (mm)



A	Chipboard screw Ø 4 x 15 mm
B	System screws Ø 6 x 14.5 mm
*	For greater lateral stability Chipboard screw Ø 4 x 15 mm
**	For greater vertical stability Can be replaced with chipboard screw Ø 4 x 15 mm
Internal cabinet depth LT min. = NL + 3 mm	

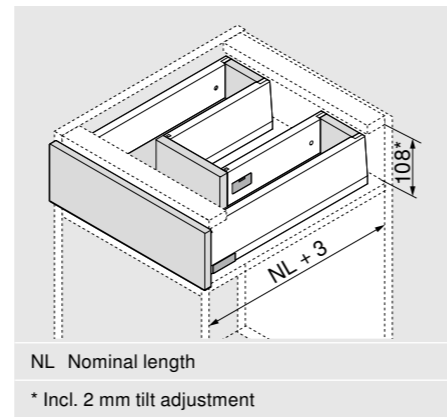
Product



Description

- With centre piece for optimal use of storage space
- Can be implemented with standard components
- BLUMOTION cabinet profile for all applications with interface for TIP-ON BLUMOTION and side stabiliser
- Can be combined with SERVO-DRIVE

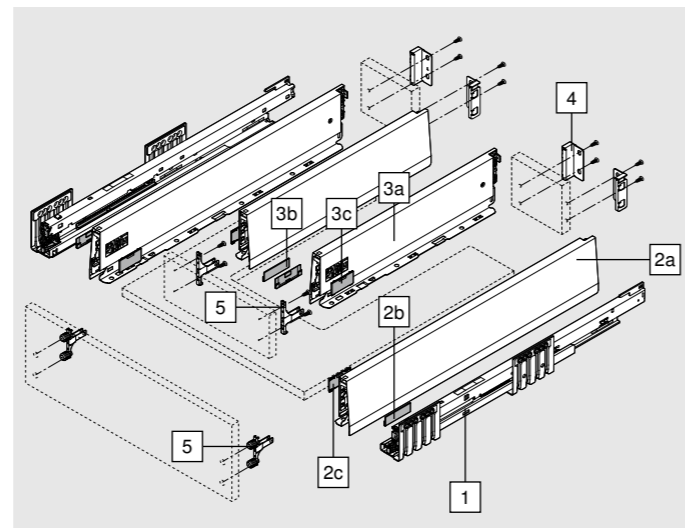
Space requirement



Ordering information

1	Cabinet profile left/right	BLUMOTION*	
		40 kg	70 kg
	Nominal length NL (mm)		
	450	450.4501B	453.4501B
	500	450.5001B	453.5001B
	550	450.5501B	453.5501B
	600	450.6001B	453.6001B

* Suitable for SERVO-DRIVE and TIP-ON BLUMOTION



2	Outer drawer side set	Height of drawer side (mm)		
		M	91	
	Nominal length NL (mm)	SW-M	IG-M	OG-M
	450		470M4502S	
	500		470M5002S	
	550		470M5502S	
	600		470M6002S	

Consisting of:

2a	1 x	Drawer side left/right
2b	2 x	Branding element, stamped with Blum logo, custom printed from 1000 pcs
2c	2 x	Cover caps

Ordering information

3	Inner drawer side set	Height of drawer side (mm)		
		M	91	
	Nominal length NL (mm)	SW-M	IG-M	OG-M
	350		470M3502S	
	400		470M4002S	
	450		470M4502S	

Consisting of:

3a	1 x	Drawer side left/right
3b	2 x	Branding element, stamped with Blum logo, custom printed from 1000 pcs
3c	2 x	Cover caps

For effective use of storage space, we recommend:

External nominal length NL drawer sides - internal nominal length NL drawer sides = min. 150 mm

4	Chipboard back fixings left/right	Height			
		M			
	Material	Steel	SW-M	IG-M	OG-M
			2 x	ZB4M000S	

5	Front fixing bracket	Fixing method		
		EXPANDO T	4 x	ZF4.10T2
	INSERTA*	2 x	ZF4.10I2	
	Screw-on**	4 x	ZF4.1002	

* Centre piece cannot be used with INSERTA!

** Screws not included in scope of delivery

EXPANDO T suitable for thin fronts – see page 61

Accessories

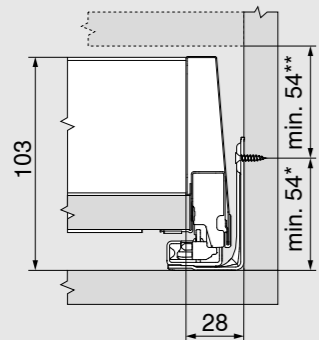
Fixing screw (flat head screw)			
	Ø (mm)	Length (mm)	Maximum screw head height: 2 mm
	3.5	15	For the connection of chipboard back fixings with chipboard back and drawer sides with drawer base

61R.1500

In order to achieve optimal assembly, we recommend that you use flat head screws for the chipboard back and drawer side

Planning

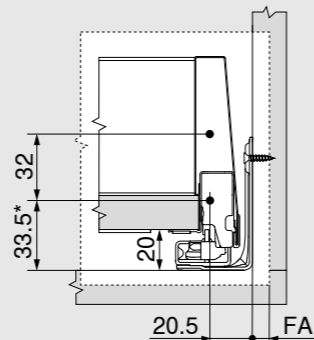
Space requirements in the cabinet



* + 1 mm if cabinet profile is installed before cabinet is assembled

** Incl. 2 mm tilt adjustment

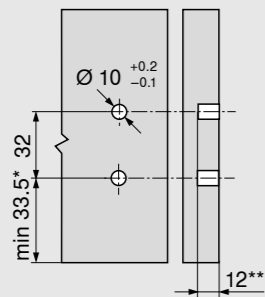
Front installation dimensions for screw-on assembly



* + 1 mm if cabinet profile is installed before cabinet is assembled

FA Front overlay

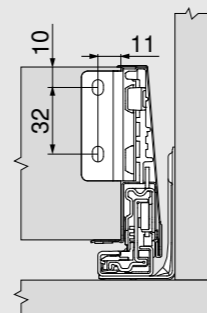
Front drilling distances for INSERTA/EXPANDO T



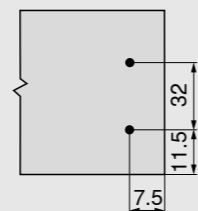
* + 1 mm if cabinet profile is installed before cabinet is assembled

** min. 6 mm for EXPANDO T

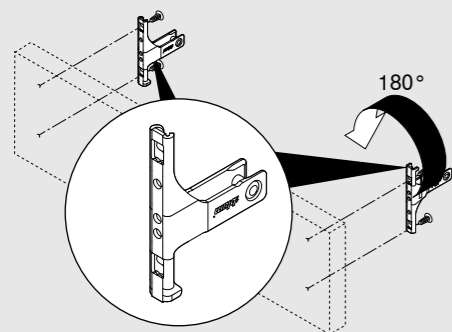
Back installation dimensions



Centre piece drilling distances



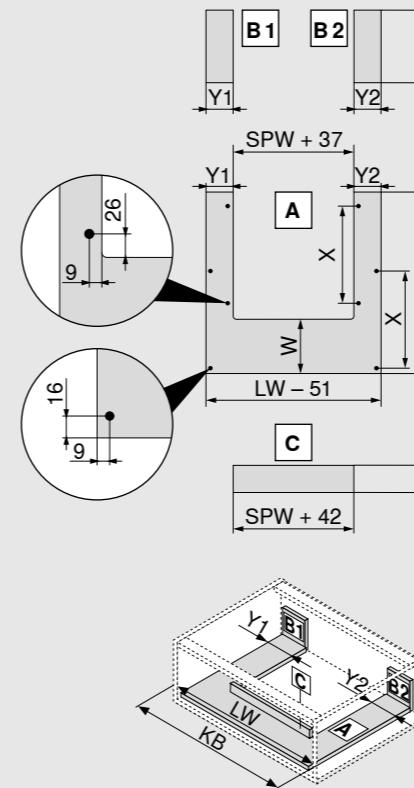
Rotation of front fixing bracket for centre piece



Cannot be used with INSERTA!

Planning

Cutting dimensions for 16 mm chipboard



Chipboard back	B (mm)
Height	83
Base length	A (mm)
Chipboard back	NL - 26
Y min.	40 mm
Y min.	99 mm with TIP-ON BLUMOTION
Y max.	225 mm

Position of drawer base drill hole

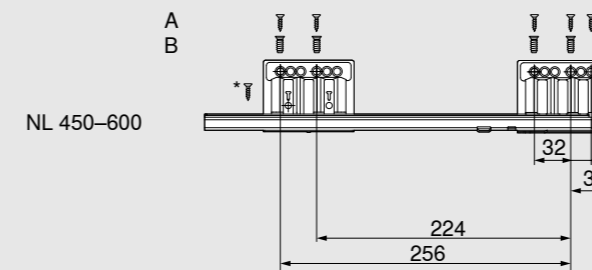
Pre-drilling possible when using a flat head screw	NL (mm)	X (mm)
	> 450	256

Centre piece	C (mm)
Height	67

KB Cabinet width
 LW Internal cabinet width
 NL Nominal length
 SPW Internal width between sink drawer sides
 W = NL of outer drawer sides - NL of inner drawer sides - 10 mm

Cabinet profile screw position – 40 kg

Nominal length NL (mm)



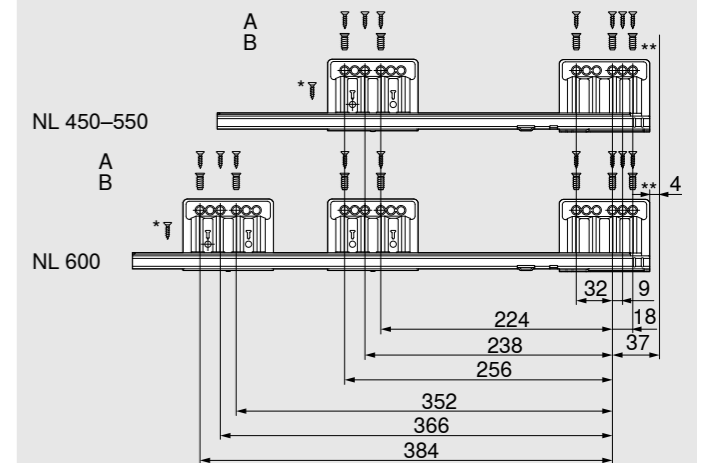
- A Chipboard screw Ø 4 x 15 mm
- B System screws Ø 6 x 14.5 mm

* For greater lateral stability
 Chipboard screw Ø 4 x 15 mm

Internal cabinet depth LT min. = NL + 3 mm

Cabinet profile screw position – 70 kg

Nominal length NL (mm)



- A Chipboard screw Ø 4 x 15 mm
- B System screws Ø 6 x 14.5 mm

* For greater lateral stability
 Chipboard screw Ø 4 x 15 mm

** For greater vertical stability
 Can be replaced with chipboard screw Ø 4 x 15 mm

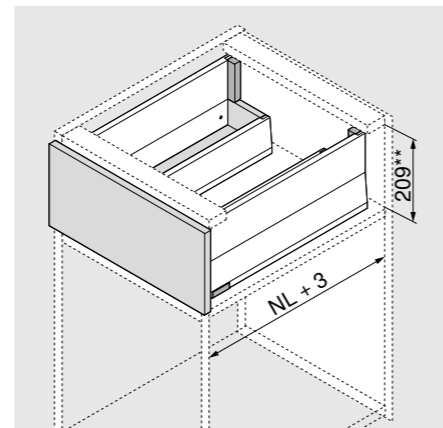
Internal cabinet depth LT min. = NL + 3 mm

Product


Example of inner pull-out using BOXCAP

Description

- With centre piece for optimal use of storage space
- Can be implemented with standard components
- BLUMOTION cabinet profile for all applications with interface for TIP-ON BLUMOTION and side stabiliser
- Can be combined with SERVO-DRIVE

Space requirement


NL Nominal length

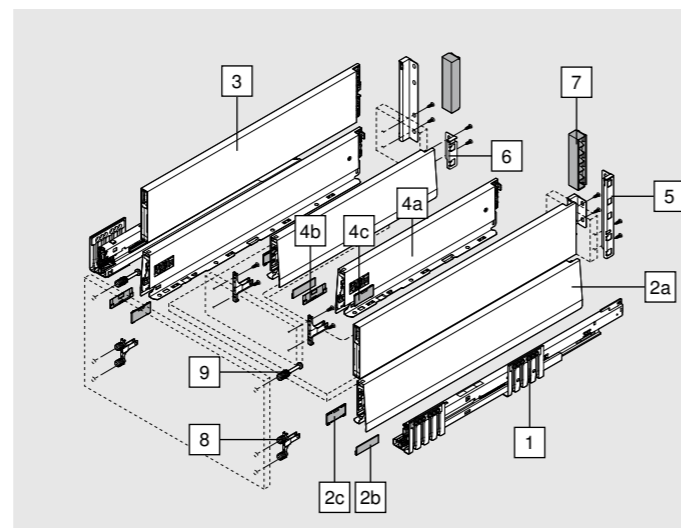
** Incl. 2 mm tilt adjustment

Ordering information

Application recommendation		
The outer sink drawer sides can be combined with all height E options. Please see the relevant page for planning information and the components to be ordered.		
High fronted pull-out modular with gallery		28
High fronted pull-out modular with BOXCOVER		32
High fronted pull-out modular with BOXCAP		36

1	Cabinet profile left/right		
	Nominal length NL (mm)	BLUMOTION*	
		40 kg	70 kg
	450	450.4501B	453.4501B
	500	450.5001B	453.5001B
	550	450.5501B	453.5501B
	600	450.6001B	453.6001B

* Suitable for SERVO-DRIVE and TIP-ON BLUMOTION



2	Outer drawer side set			
	Height of drawer side (mm)	M	91	
	Nominal length NL (mm)	SW-M	IG-M	OG-M
	450		470M4502S	
	500		470M5002S	
	550		470M5502S	
	600		470M6002S	

Consisting of:

2a	1 x	Drawer side left/right
2b	2 x	Branding element, stamped with Blum logo, custom printed from 1000 pcs
2c	2 x	Cover caps

Ordering information

3	BOXCAP left/right			
	Material	Steel		
	Nominal length NL (mm)	SW-M	IG-M	OG-M
	450		ZL4.450S.E	
	500		ZL4.500S.E	
	550		ZL4.550S.E	
	600		ZL4.600S.E	

4	Inner drawer side set			
	Height of drawer side (mm)	M	91	
	Nominal length NL (mm)	SW-M	IG-M	OG-M
	350		470M3502S	
	400		470M4002S	
	450		470M4502S	

Consisting of:

4a	1 x	Drawer side left/right
4b	2 x	Branding element, stamped with Blum logo, custom printed from 1000 pcs
4c	2 x	Cover caps

For effective use of storage space, we recommend:

NL of outer drawer sides - NL of inner drawer sides = min. 150 mm

5	External chipboard back fixing left/right	
	Height	Material
	E	Steel
		ZB4E000S

6	Internal chipboard back fixing left/right	
	Height	Material
	M	Steel
		ZB4M000S

7	Version			
	Material	SW-M	IG-M	OG-M
	Nylon	2 x	ZB4M00AK	

Ordering information

	8	Front fixing bracket		
	Fixing method			
		EXPANDO T	4 x	ZF4.10T2
		INSERTA*	2 x	ZF4.10I2
	Screw-on**	4 x	ZF4.10O2	

* Centre piece cannot be used with INSERTA!

** Screws not included in scope of delivery

EXPANDO T suitable for thin fronts – see page 61

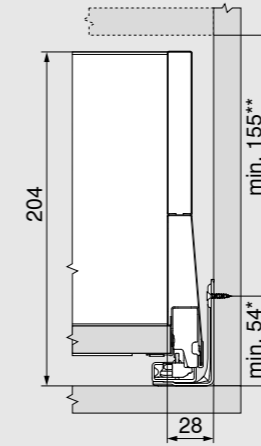
	9	Front fixing bracket, top		
	Fixing method			
		EXPANDO T	2 x	ZF4.50T2
		INSERTA	2 x	ZF4.50I2
	Screw-on – pre-assembled chipboard screw \varnothing 3.8 x 11.4 mm	2 x	ZF4.50O2	

EXPANDO T suitable for thin fronts – see page 61

Accessories

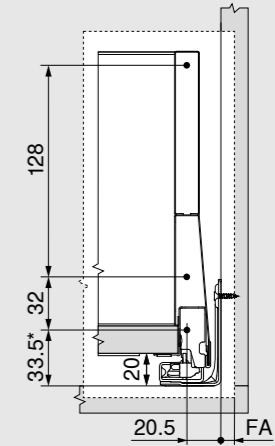
Fixing screw (flat head screw)			
	\varnothing (mm)	Length (mm)	Maximum screw head height: 2 mm
	3.5	15	For the connection of chipboard back fixings with chipboard back and drawer sides with drawer base
			61R.1500

In order to achieve optimal assembly, we recommend that you use flat head screws for the chipboard back and drawer side

Planning
Space requirements in the cabinet


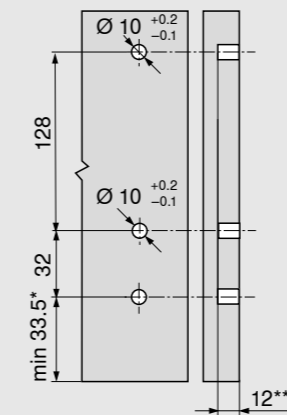
* + 1 mm if cabinet profile is installed before cabinet is assembled

** Incl. 2 mm tilt adjustment

Front installation dimensions for screw-on assembly


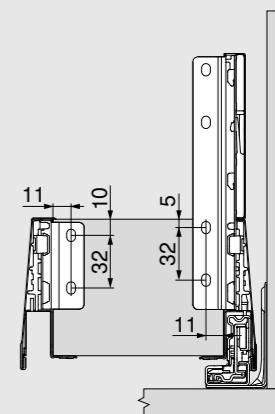
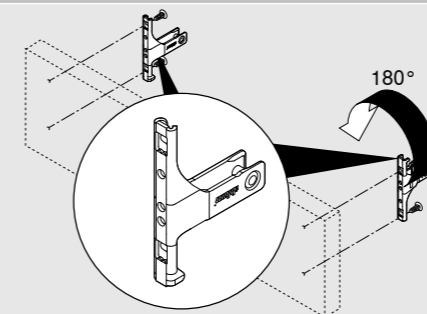
* + 1 mm if cabinet profile is installed before cabinet is assembled

FA Front overlay

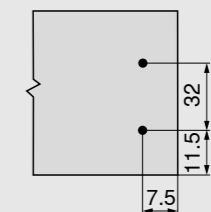
Front drilling distances for INSERTA/EXPANDO T


* + 1 mm if cabinet profile is installed before cabinet is assembled

** min. 6 mm for EXPANDO T

Back installation dimensions

Rotation of front fixing bracket for centre piece


Cannot be used with INSERTA!

Centre piece drilling distances


Planning

Cutting dimensions for 16 mm chipboard

Chipboard back		B (mm)
Height		83
Base length		A (mm)
Chipboard back		NL - 26
Y min.	40 mm	
Y min.	99 mm with TIP-ON BLUMOTION	
Y max.	225 mm	
Position of drawer base drill hole		
Pre-drilling possible when using a flat head screw	NL (mm)	X (mm)
	> 450	256
Centre piece		C (mm)
Height		67
KB	Cabinet width	
LW	Internal cabinet width	
NL	Nominal length	
SPW	Internal width between sink drawer sides	
W = NL of outer drawer sides - NL of inner drawer sides - 10 mm		

Planning

Cabinet profile screw position – 40 kg

Nominal length NL (mm)

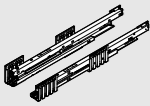
A	Chipboard screw Ø 4 x 15 mm
B	System screws Ø 6 x 14.5 mm
*	For greater lateral stability Chipboard screw Ø 4 x 15 mm
Internal cabinet depth LT min. = NL + 3 mm	

Cabinet profile screw position – 70 kg

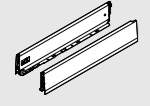
Nominal length NL (mm)

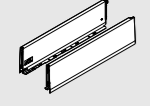
A	Chipboard screw Ø 4 x 15 mm
B	System screws Ø 6 x 14.5 mm
*	For greater lateral stability Chipboard screw Ø 4 x 15 mm
**	For greater vertical stability Can be replaced with chipboard screw Ø 4 x 15 mm
Internal cabinet depth LT min. = NL + 3 mm	


Ordering information


Cabinet profile left/right			
 Nominal length NL (mm)	BLUMOTION*		
	40 kg	70 kg	
450	450.4501B		
500	450.5001B	453.5001B	
550	450.5501B	453.5501B	

* Suitable for SERVO-DRIVE and TIP-ON BLUMOTION

Drawer side set			
	Height of drawer side (mm)	M	91
	Nominal length NL (mm)	SW-M	
	450	470M4502S	
	500	470M5002S	
550	470M5502S		

Drawer side set			
	Height of drawer side (mm)	K	129
	Nominal length NL (mm)	SW-M	
	450	470K4502S	
	500	470K5002S	
550	470K5502S		

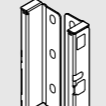
External branding element		
	Require 2 per drawer	SW-M
		ABD.1000.BT

Internal branding element		
	Require 2 per drawer	SW-M
		ZA4.5400.BT

Ordering information

Chipboard back fixings left/right			
	Height	Material	SW-M
	N	Steel	ZB4N000S

Chipboard back fixings left/right			
	Height	Material	SW-M
	M	Steel	ZB4M000S

Chipboard back fixings left/right			
	Height	Material	SW-M
	K	Steel	ZB4K000S

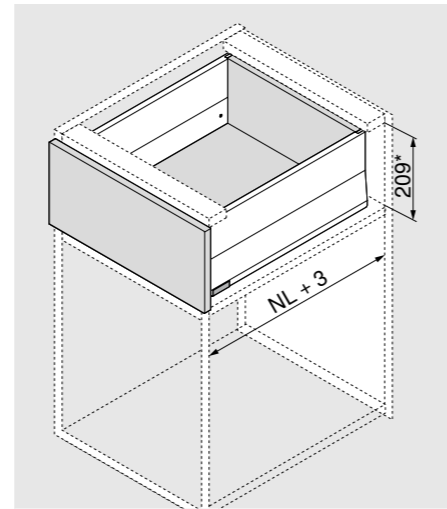
Chipboard back fixings left/right			
	Height	Material	SW-M
	E	Steel	ZB4E000S

Product


Example of inner pull-out using BOXCAP

Description

- Cabinet profile with forward-set hook for waste bin applications
- BLUMOTION cabinet profile for all applications with interface for TIP-ON BLUMOTION
- Can be combined with SERVO-DRIVE
- Can be combined with all high fronted pull-out options in height E

Space requirement


** Incl. 2 mm tilt adjustment

Ordering information

Application recommendation	
The cabinet profile with over extension for waste bin applications can be combined with any high fronted pull-out option in height E. Please see the relevant page for the components to be ordered. All components apart from the cabinet profile are needed.	
High fronted pull-out modular with gallery	28
High fronted pull-out modular with BOXCOVER	32
High fronted pull-out modular with BOXCAP	36

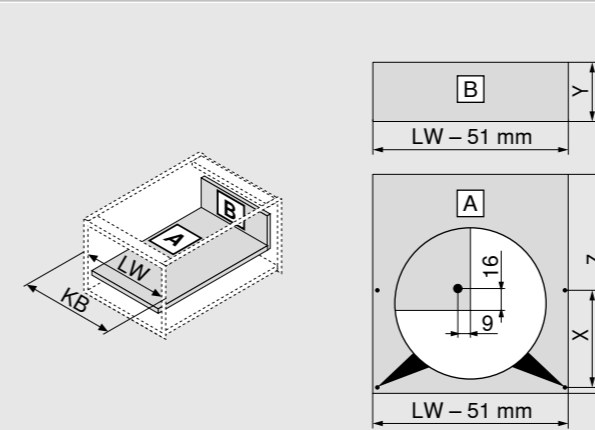
1	Cabinet profile left/right	
	Nominal length NL (mm)	BLUMOTION* 70 kg
	450 ¹	453.4501BZ
	500 ²	453.5001BZ
	550 ³	453.5501BZ

¹ Can be combined with NL 400 mm drawer side.

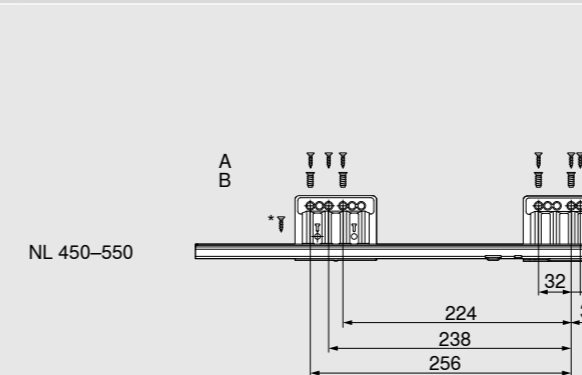
² Can be combined with NL 450 mm drawer side.

³ Can be combined with NL 500 mm drawer side.

* Suitable for SERVO-DRIVE and TIP-ON BLUMOTION

Planning
Cutting dimensions for 16 mm chipboard


Chipboard back	Y (mm)	
Height	184	
Base length	Z (mm)	
Chipboard back	NL - 26	
Position of drawer base drill hole		
Pre-drilling possible when using a flat head screw	NL (mm)	X (mm)
	> 450	256
KB Cabinet width		
LW Internal cabinet width		
NL Nominal length		

Cabinet profile screw position – 70 kg
Nominal length NL (mm)


A Chipboard screw Ø 4 x 15 mm

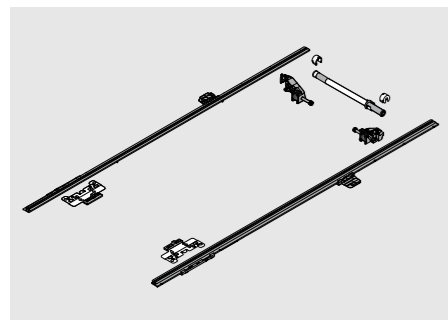
B System screws Ø 6 x 14.5 mm

 * For greater lateral stability
Chipboard screw Ø 4 x 15 mm

 ** For greater vertical stability
Can be replaced with chipboard screw Ø 4 x 15 mm

Internal cabinet depth LT min. = NL + 3 mm

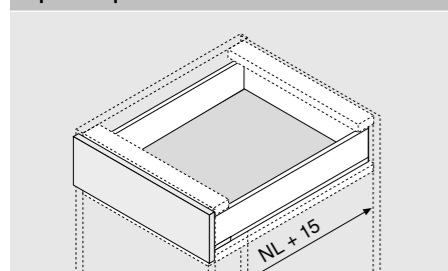
Side stabiliser



Description

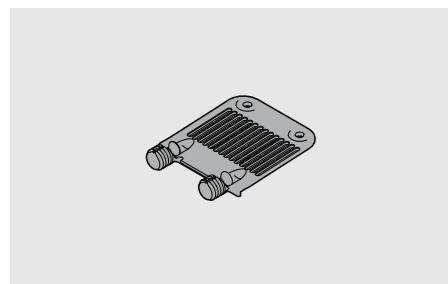
- Additional stabilisation for extra wide pull-outs
- Recommendation: Cabinet width KB 900 up to 1400 mm
- Aluminium rod suitable for cabinet width KB 1400 mm, for cutting to size
- Suitable for use in combination with BLUMOTION, SERVO-DRIVE and TIP-ON BLUMOTION
- No additional space requirement at the bottom

Space requirement



Ordering information	
Nominal length NL (mm)	
270-400	ZS4.400MU
450-600	ZS4.650MU
Shaft cutting	
Internal cabinet width LW - 231 mm	
Gear rack cutting	
Nominal length NL + 10 mm	

Front/base stabiliser



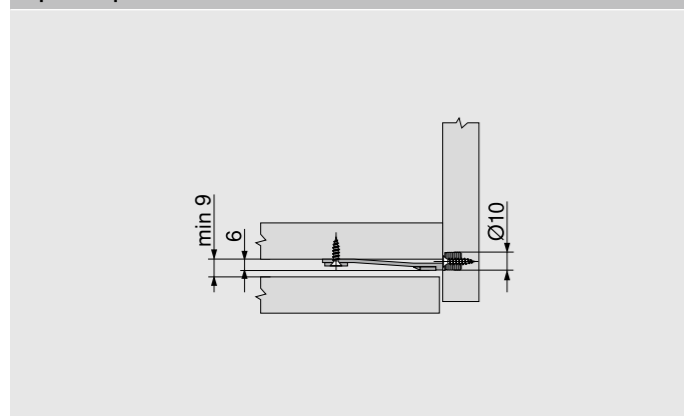
Description

- For supporting wide drawer bases

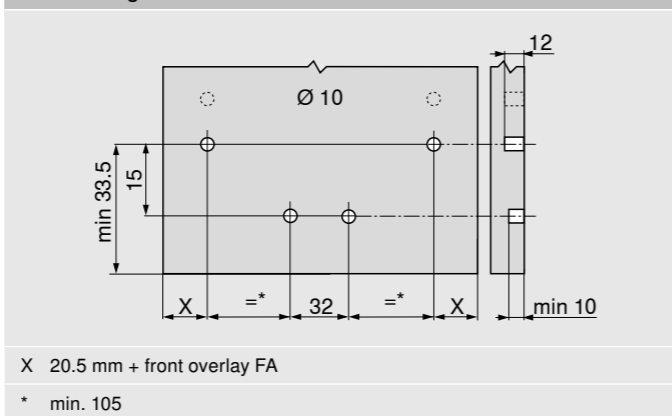
Ordering information

Front/base stabiliser	
Colour	Material
RAL 7037 dust grey	Nylon
Z96.10E1	
Recommendation:	
Cabinet width KB > 600 mm: 1 pc	

Space requirement



Front drilling distances



TORX screwdriver



Description

- TORX size 20 (T20)
- Blade length 35/100 mm
- Total length 100/210 mm
- Orange handle with Blum logo
- To make adjustments

Ordering information

TORX screwdriver		
Total length (mm)	Blade length (mm)	
100	35	623.882.2
210	100	209.093.7

Product



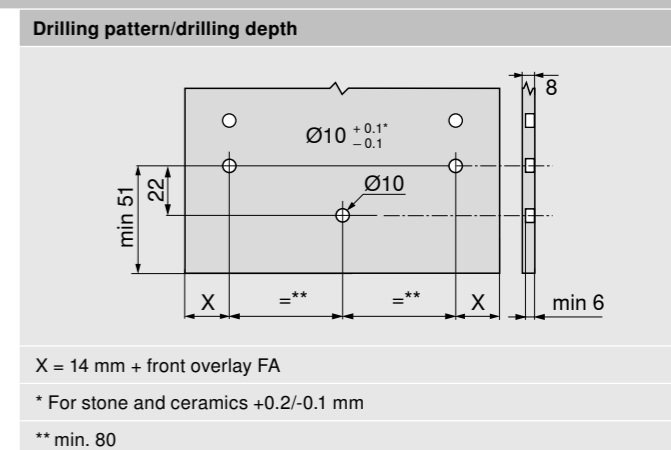
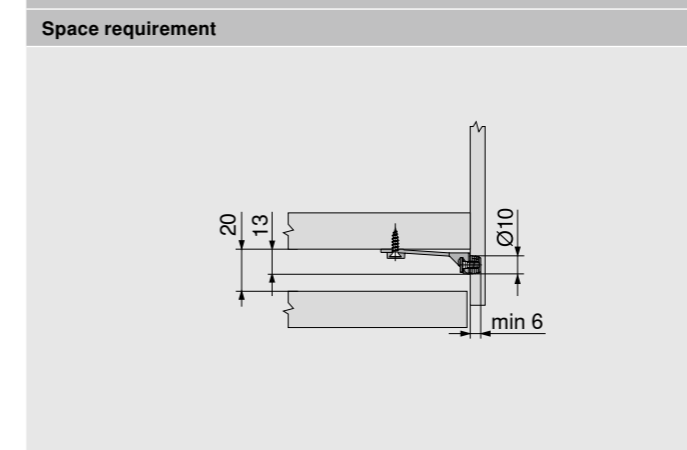
- EXPANDO T – pre-assembled fixing system
- Thin fronts of 8 mm or more
- Different front materials
- 3 different applications – lift systems | hinge systems | box systems

Ordering information

Front fixing bracket	
Front fixing bracket	ZF4.10T2
Front fixing bracket, top	ZF4.50T2

Front/base stabiliser			
	Colour	Material	
	RAL 7037 dust grey	Nylon	Z96.00T1
Recommendation:			
Cabinet width KB > 600 mm: 1 piece			
Cabinet width KB > 900 mm: 2 piece			
Front height FH > 380 mm: 1 piece			

Front/base stabiliser



EXPANDO T

Area of application and assembly recommendation

EXPANDO T is suitable for fixing Blum fittings to thin cabinet fronts of all types of materials in cabinet construction.

Materials can be just 8 mm thick or more, provided they are sufficiently stable and strong.

Materials tested by Blum	Transverse tensile strength (N/mm ²)	Nm
Chipboard	> 0.40	1.5
MDF	> 0.60	1.5
HDF		2
HPL		2
Mineral composites		2
Granite stone – Nero Assoluto		3
Artificial stone – quartz composite		3
Ceramic panels		3
Nm Minimum tightening torque		

Liability disclaimer

Blum accepts no liability for the use of EXPANDO T in combination with materials not listed or fittings from other manufacturers. It is recommended that the assembly be carried out by an experienced furniture manufacturer.

BOXFIX plus



- Pneumatic assembly device for the efficient assembly of drawers and high fronted pull-outs
- Assembly type: Screws (or nails)
- Nominal length: 270–650 mm
- Cabinet width: 275–1200 mm
- Can be used for chipboard back and steel back

Ordering information	
BOXFIX plus	
	ZMM.2500

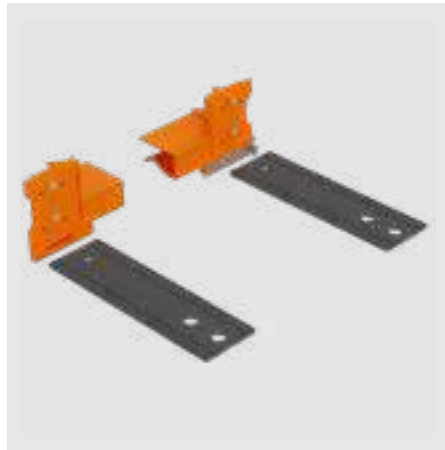
BOXFIX E-M



- Convenient device for fast assembly of MERIVOBOX
- All MERIVOBOX components are assembled seamlessly with great precision
- For all drawer side materials
- Assembly type: Screws
- Nominal length: 270–650 mm
- Cabinet width: 250–1200 mm
- Material: Nylon/steel

Ordering information	
BOXFIX E-M	
	ZMM.0400

Marking template for MERIVOBOX



- Template for marking the fixing positions of front fixings
- Material: Nylon/steel

Ordering information	
Marking template for MERIVOBOX	
	ZML.4010

MINIPRESS top



- Automatically calculates the exact drilling positions (combined with EASYSTICK)
- Ruler moves automatically (x-axis) for workpiece dimensions up to 2681 mm
- Vertical drilling unit (y-axis) moves automatically up to 350 mm
- Tool-free drill head clamping technology
- Optional horizontal drilling
- Quick change of drilling heads already equipped with drill bits

Ordering information	
MINIPRESS top with EASYSTICK	
	M70E2000

MINIPRESS P



- Makes it easy to drill fixing holes for MERIVOBOX front fixing brackets, cabinet profiles, drawer bases and chipboard back fixings.

Ordering information	
MINIPRESS P	
	M53.1050*A2

EASYSTICK

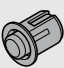
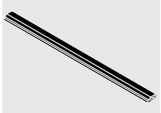
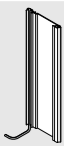
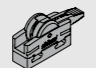
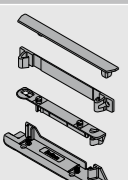

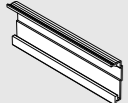
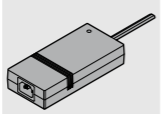
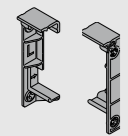

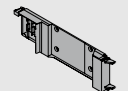
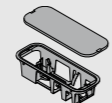
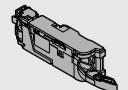
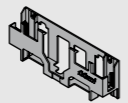


- EASYSTICK – the new, automatic and easy to set up ruler system for drilling and insertion machines from Blum
- Tool-free adjustment and digital determination of the fixing positions for MERIVOBOX front fixing bracket and cabinet profiles
- Transfer of planned data from the Cabinet Configurator via USB stick directly onto EASYSTICK
- The barcode scanner allows you to retrieve and edit imported manufacturing and drilling data

Ordering information	
EASYSTICK	
Ruler	MZD.2000
Computer	MZD.5000

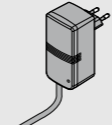
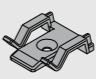
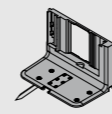
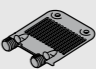
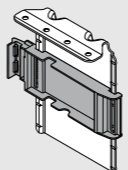

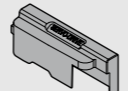
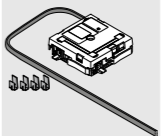
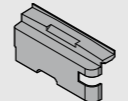


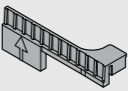
Components

Overview

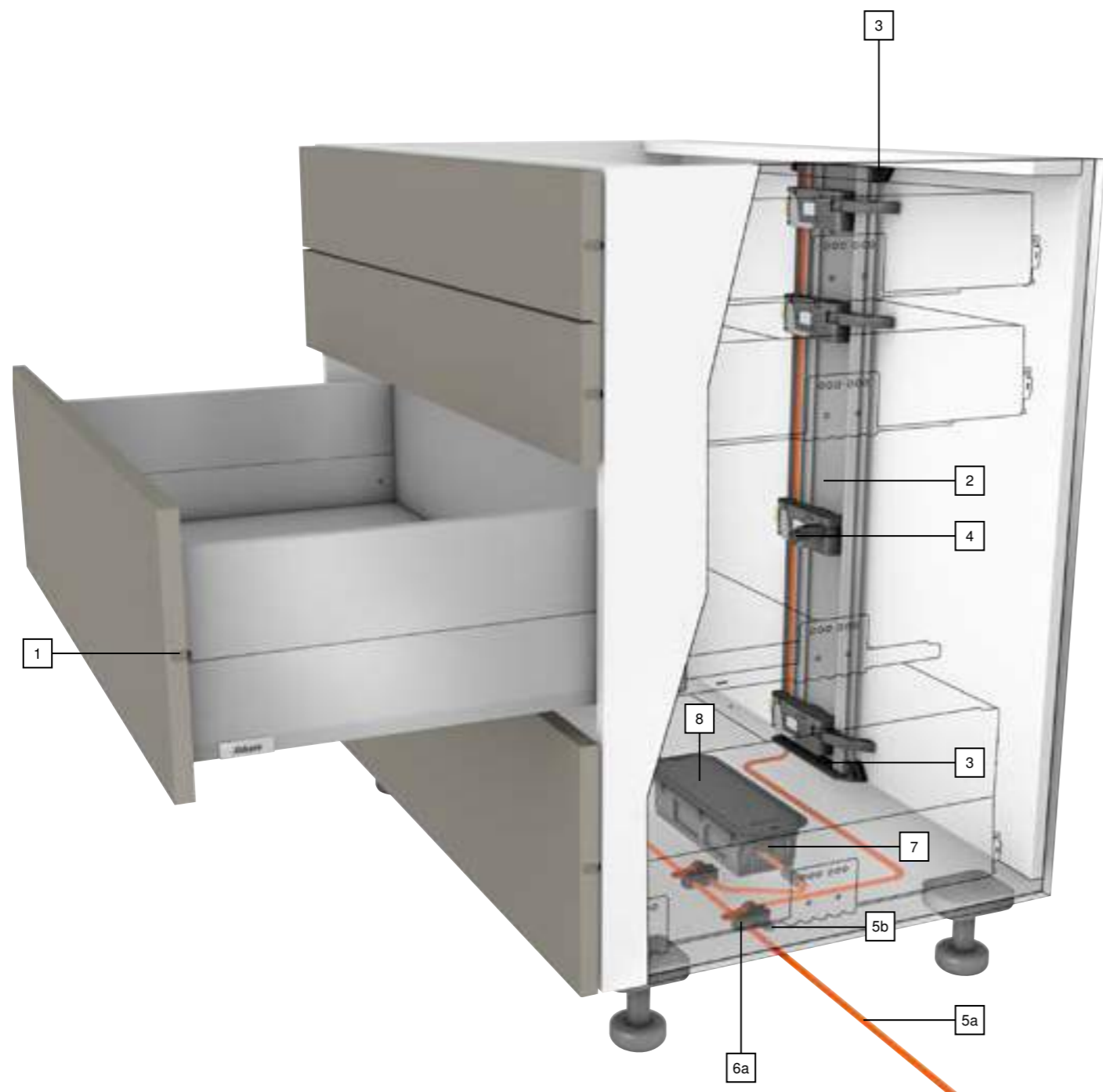
Blum distance bumper  <p>The Blum distance bumper ensures the required trigger path of 2 mm.</p>	SERVO-DRIVE distribution cable for cutting to size  <p>This cable is used to supply the power required by the cabinet units and/or drive units. The max. permitted operating voltage is 24 V. Colour black.</p> <p>Note: This cable must not be directly connected to the mains power outlet.</p>
Bracket profile  <p>The drive units are attached to the bracket profile.</p>	Connecting node  <p>This node establishes the electrical connection between the SERVO-DRIVE distribution cable and the bracket profile and/or the SERVO-DRIVE power supply unit.</p>
Bracket profile attachment and bracket profile cover cap  <p>These components are used to attach the bracket profile to a horizontal and/or vertical cross member.</p>	Cable end protector  <p>The cable end protector is inserted onto the "open" ends of the cable.</p>
Horizontal bracket profile  <p>The drive unit is attached to the bracket profile using the bracket profile adapter.</p>	24-watt SERVO-DRIVE power supply unit  <p>The SERVO-DRIVE power supply unit can be used around the world. It converts the country-specific mains voltage to 24-volt direct current. You must use a flex with a regular plug for the respective country depending on the installation location. The SERVO-DRIVE power supply unit can supply power to several drive units, with usually one power supply unit being required for the entire kitchen.</p>
Bracket profile attachment  <p>This component is used for attaching the horizontal bracket profile.</p>	Flex  <p>This cable supplies power to the 24-watt SERVO-DRIVE power supply unit. Country-specific plugs are available.</p>
Bracket profile adapter for drive unit  <p>The adapter is used to attach the drive unit to the horizontal bracket profile.</p>	Power supply unit housing Base fixing  <p>The "base fixing" power supply unit housing securely accommodates the power supply unit on the cabinet base panel.</p>
Drive unit  <p>The drive unit is supplied with a lever extension. The lever extension must be removed in special applications such as narrow cabinets, so that the drive unit can be installed (see planning information).</p>	Power supply unit housing Panel fixing  <p>Use the "panel fixing" power supply unit housing if the SERVO-DRIVE power supply unit is to be attached to the wall or a vertical panel.</p>

Components

Overview

12-watt SERVO-DRIVE plug-in power supply unit  <p>The SERVO-DRIVE plug-in power supply unit supplies power to a single drive unit (individual applications).</p>	Accessories Cable holder  <p>The cable holder allows you to route the distribution cable safely and neatly.</p>
Attachment bracket 1 tier  <p>You can use attachment brackets if single pull-outs are to be operated or if the installation situation does not permit a continuous bracket profile.</p>	Front/base stabiliser  <p>Stabilises wide drawer bases. Reinforces the connection between base and front.</p>
Upper attachment bracket with pre-mounted adapter for drive unit  <p>The drive unit is fixed to the pre-mounted adapter on the upper attachment bracket.</p>	Synchronisation cable  <p>The synchronisation cable allows you to synchronise two or more interconnected drive units.</p>
Accessories Drip protection feature for attachment bracket 1 tier  <p>The drip protection feature prevents water from penetrating the drive unit. Suitable for applications with an attachment bracket 1 tier.</p>	COMBOX  <p>Prevents front collisions when using SERVO-DRIVE in corner applications. Compatible with drive units Z10A3000.02 onwards</p>
Drip protection feature for horizontal applications  <p>The drip protection feature prevents water from penetrating the drive unit. Suitable for applications with a horizontal bracket profile.</p>	Communication cable  <p>Connects drive units that need to open simultaneously.</p>
Assembly device  <p>No pre-drilling, self-adhesive For positioning the SERVO-DRIVE uno unit.</p>	Transport protection  <p>Serves to protect the SERVO-DRIVE uno set during transportation. Remove before use.</p>

Standard cabinet with horizontal and vertical cross members



Standard cabinet with horizontal and vertical cross members

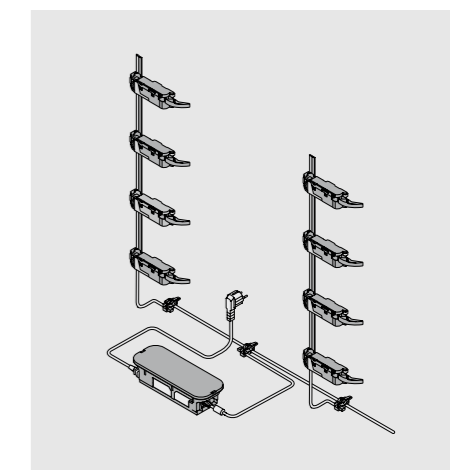
Product





Description

- Electrical opening support system in combination with BLUMOTION for soft and effortless closing
- With vertical bracket profile
- No fixed connection between the drive unit and pull-out
- Pull-outs need not be modified
- Tool-free assembly
- Simple cabling
- Shallow installation depth

Cabling



Ordering information

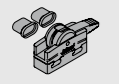
1	Blum distance bumper		
		Ø (mm)	
		5	993.0530
	Up to front height 300 mm, use 2 pcs		
From front height 300 mm, use 4 pcs			
For 70 kg MERIVOBX cabinet profile, use 4 pcs			
2	Bracket profile		
		Length (mm)	Cable
		670	Z10T670AA
		750	Z10T750AA
	1170	Z10T1170A	
Aluminium for cutting to size			
Cutting	Internal cabinet height LH - 10 mm		
	With cable		
-	Without cable		

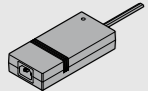
3	Bracket profile attachment top/bottom		
	Horizontal cross member		
	Colour	Material	
	R7037	Nylon	Z10D01E0.01
Alternative			
-	Bracket profile attachment bottom/back		
Vertical cross member			
	Colour	Material	
	R7037	Nylon	Z10D01EA.01
Incl. bracket profile cover cap			
4	Drive unit		
	Colour	Material	
	R7037	Nylon	Z10A3000.03
Includes pre-assembled lever extension			

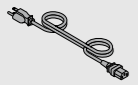
5	SERVO-DRIVE distribution cable and cable end protector		
	Colour	Length (m)	
	S	8	Z10K800AE
Consisting of:			
5a	1 x	SERVO-DRIVE distribution cable	
5b	5 x	Cable end protector	
Can be used as a distribution, bracket profile and communications cable			
For cutting to size			
Colour			
R7037	RAL 7037 dust grey		
S	Black		

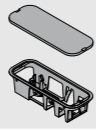
Standard cabinet with horizontal and vertical cross members

Ordering information

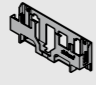
6		Connecting node and cable end protector	
		Colour	Material
		S	Nylon
		Z10V100E.01	
Consisting of:			
6a	1 x	Connecting node	
5b	2 x	Cable end protector	

7		24-watt SERVO-DRIVE power supply unit	
		D	Z10NE030D
		Includes operating and installation instructions	
		Without flex	
Language package			
D	EN, ES, FR, IT, PT		
Language descriptions as per ISO-639			

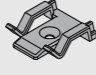
-		Flex	
		Market	Z10M200K
		AU	
Length 2 m, incl. plug			

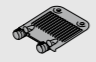
8		Power supply unit housing	
		Base mounting	
		Colour	Material
		R7037	Nylon
		Z10NG000	
Includes cover			
For 24-watt SERVO-DRIVE power supply unit			


Alternative


-		Power supply unit housing	
		Panel fixing	
		Colour	Material
		WGR	Nylon
		Z10NG120	
For 24-watt SERVO-DRIVE power supply unit			

Accessories

-		Cable holder	
		Colour	Material
		W	Nylon
		Z10K0009	
E.g. for fixing the SERVO-DRIVE distribution cable			

-		Front/base stabiliser	
		Colour	Material
		R7037	Nylon
		Z96.10E1	

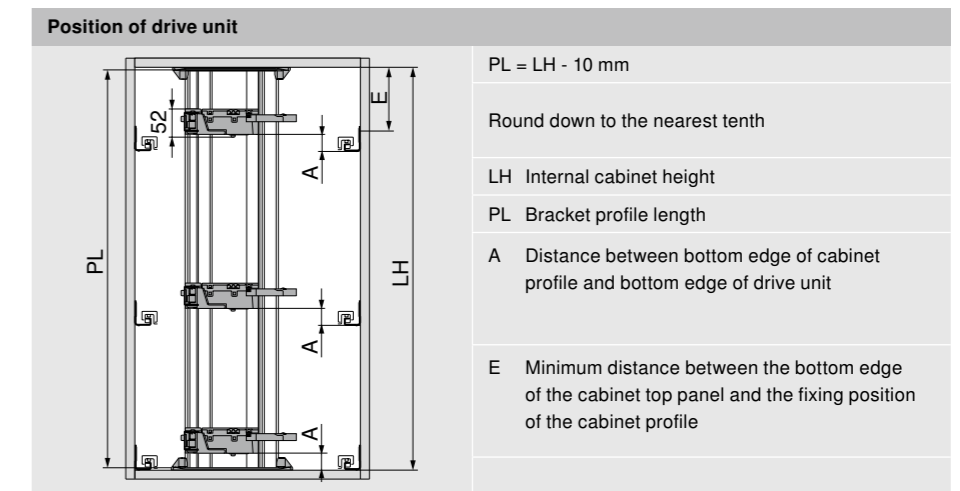
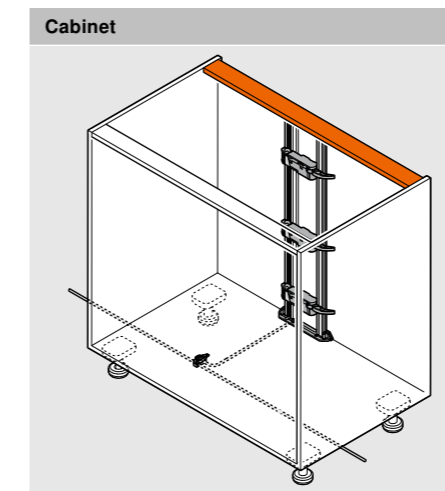
-		Synchronisation cable	
		Length (mm)	
		80	Z10K008S
		1200	Z10K120S
Connects two drive units that need to open simultaneously			

-		COMBOX set	
		Colour	Material
		S	Nylon
		Z10ZC00A	
Prevents front collisions when using SERVO-DRIVE in corner applications			
Compatible with drive units Z10A3000.02 onwards			
Can be used in combination with Z10K300A			
Includes all assembly and cabling components			

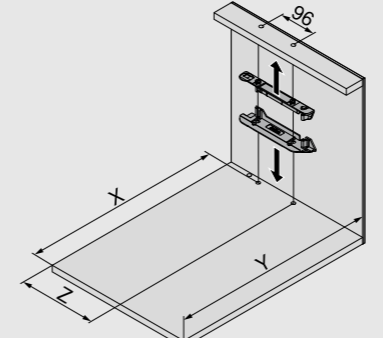
Colour	
R7037	RAL 7037 dust grey
S	Black
W	White
WGR	White grey

Standard cabinet – horizontal cross member

Planning



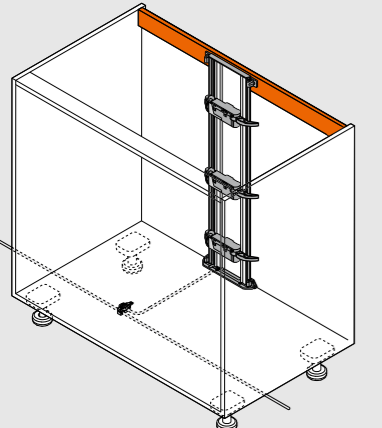
Drive unit position		Internal cabinet width LW (mm)							
		242–266		267–286		287–316		≥ 317	
Back height		A (mm)	E min. (mm)	A (mm)	E min. (mm)	A (mm)	E min. (mm)	A (mm)	E min. (mm)
N		–	–	28	32	28	32	28	32
M K E		–	–	45	54	45	54	45	54
A		Distance between bottom edge of cabinet profile and bottom edge of drive unit							
E		Minimum distance between the bottom edge of the cabinet top panel and the fixing position of the cabinet profile							
–		Not possible							

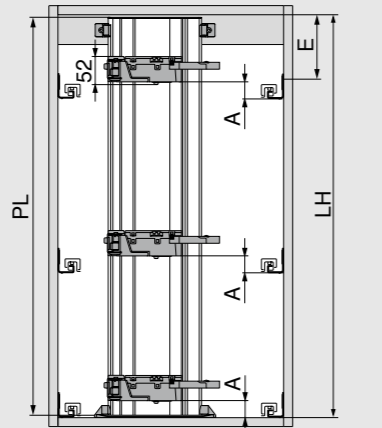
Drilling distances	
Cabinet base Cross member	
	
X (mm)	NL + 19
Y (mm)	NL + 33
NL Nominal length	
X Drilling position	
Y Min. space requirement	
Z Indent distance	
This bracket profile assembly position ensures that both inset pull-outs and pull-outs with overlay fronts can be opened by pushing or pulling. For this application, the following general dimensions apply:	

		Internal cabinet width LW (mm)									
		242–266		267–286		287–316		317–386		≥ 387	
Back height		Z (mm)	H.	Z (mm)	H.	Z (mm)	H.	Z (mm)	H.	Z (mm)	H.
N		–	–	174		174		174		LW/2	
M K E		–	–	174		174		174		LW/2	
H.		Lever extension				LW Internal cabinet width					
Z		Indent distance				– Not possible					
Required		Remove									

Standard cabinet – vertical cross member

Planning





PL = LH - 10 mm

Round down to the nearest tenth

LH Internal cabinet height

PL Bracket profile length

A Distance between bottom edge of cabinet profile and bottom edge of drive unit

E Minimum distance between the bottom edge of the cabinet top panel and the fixing position of the cabinet profile

Drive unit position	Internal cabinet width LW (mm)							
	242–266		267–286		287–316		≥ 317	
	A (mm)	E min. (mm)	A (mm)	E min. (mm)	A (mm)	E min. (mm)	A (mm)	E min. (mm)
Back height								
N	–	–	28	32	28	32	28	32
M K E	–	–	45	54	45	54	45	54

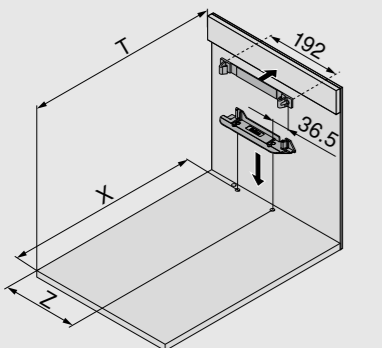
A Distance between bottom edge of cabinet profile and bottom edge of drive unit

E Minimum distance between the bottom edge of the cabinet top panel and the fixing position of the cabinet profile

– Not possible

Drilling distances

Cabinet base | Cross member



X (mm)	NL + 19
T (mm)	NL + 34

NL Nominal length

T Position front edge – cross member

X Drilling position

Z Indent distance

This bracket profile assembly position ensures that both inset pull-outs and pull-outs with overlay fronts can be opened by pushing or pulling. For this application, the following general dimensions apply:

Back height	Internal cabinet width LW (mm)									
	242–266		267–286		287–316		317–386		≥ 387	
	Z (mm)	H.	Z (mm)	H.	Z (mm)	H.	Z (mm)	H.	Z (mm)	H.
N	–	–	174		174		174		LW/2	
M K E	–	–	174		174		174		LW/2	

H. Lever extension LW Internal cabinet width

Z Indent distance – Not possible

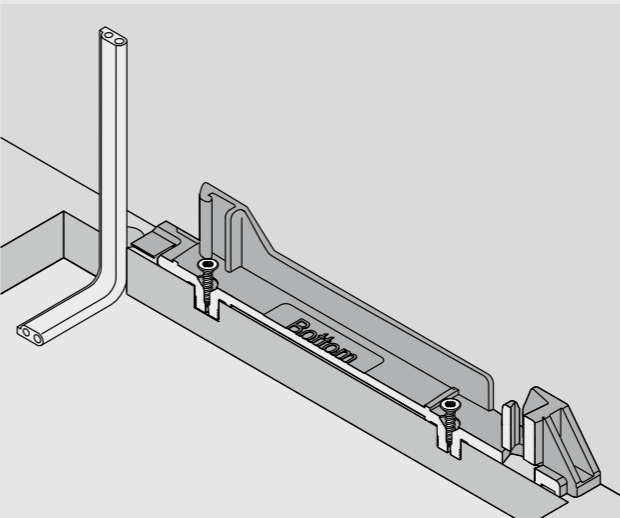
Required Remove

Standard cabinet – horizontal/vertical cross member

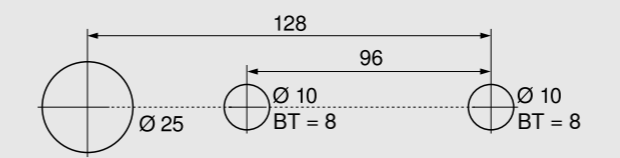
Planning

Cabinet base – drilling pattern

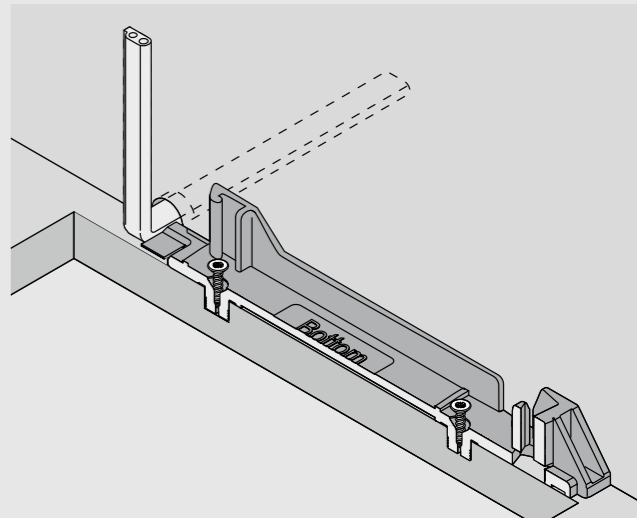
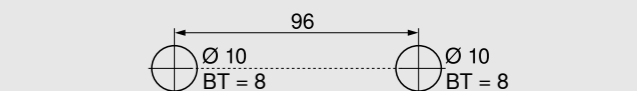
Lower cabling



Alternative drilling pattern for MINIPRESS top and MINIPRESS



Back cabling

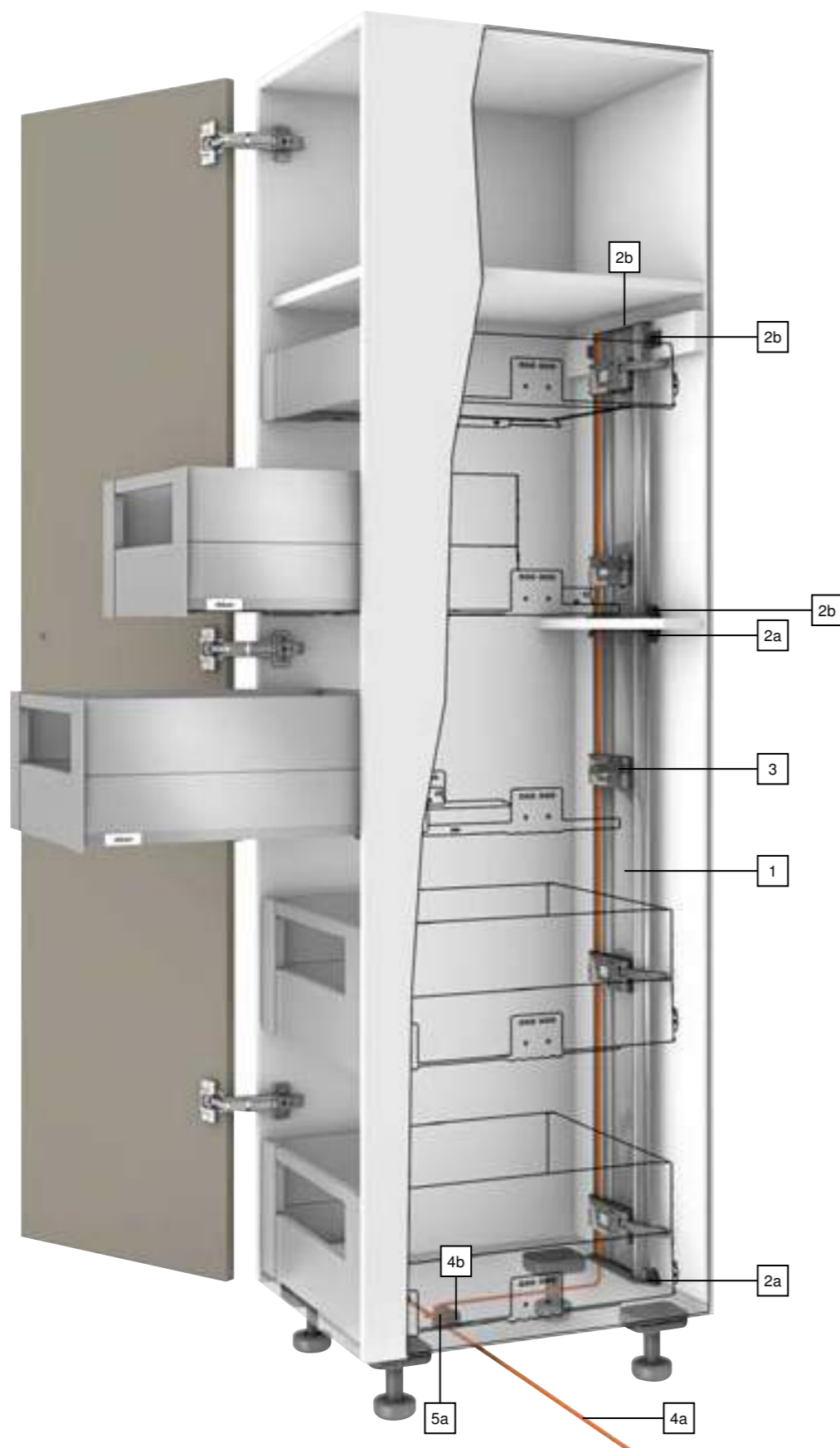
BT Drilling depth

Front assembly

Blum distance bumper

See page

SPACE TOWER



SPACE TOWER

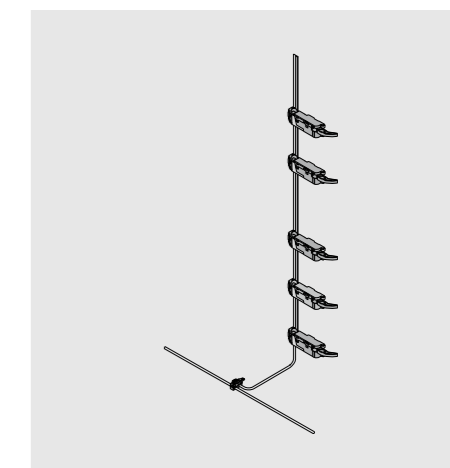
Product



Description

- Electrical opening support system in combination with BLUMOTION for soft and effortless closing
- With vertical bracket profile
- No fixed connection between the drive unit and pull-out
- Pull-outs need not be modified
- Tool-free assembly
- Simple cabling
- Shallow installation depth
- SERVO-DRIVE for MERIVOBX is only triggered by pulling for inset application pull-outs

Cabling



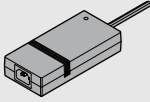
Ordering information

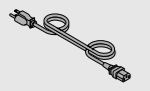
1	Bracket profile		
	Length (mm)	Cable	
	670		Z10T670AA
	750		Z10T750AA
	1170	-	Z10T1170A
Aluminium for cutting to size			
Cutting		Internal cabinet height LH - 10 mm	
	With cable		
-	Without cable		
2a	Bracket profile attachment top/bottom		
	Horizontal cross member		
	Colour	Material	
	R7037	Nylon	Z10D01E0.01
Alternative 2a			
2b	Bracket profile attachment bottom/back		
	Vertical cross member		
	Colour	Material	
	R7037	Nylon	Z10D01EA.01
Incl. bracket profile cover cap			
3	Drive unit		
	Colour	Material	
	R7037	Nylon	Z10A3000.03
Includes pre-assembled lever extension			

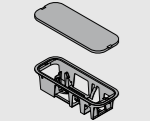
4	SERVO-DRIVE distribution cable and cable end protector		
	Colour	Length (m)	
	S	8	Z10K800AE
Consisting of:			
4a	1 x	SERVO-DRIVE distribution cable	
4b	5 x	Cable end protector	
Can be used as a distribution, bracket profile and communications cable			
For cutting to size			
5	Connecting node and cable end protector		
	Colour	Material	
	S	Nylon	Z10V100E.01
Consisting of:			
5a	1 x	Connecting node	
4b	2 x	Cable end protector	
Colour			
R7037	RAL 7037 dust grey		
S	Black		

SPACE TOWER

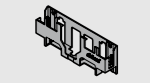
Ordering information

-		24-watt SERVO-DRIVE power supply unit	
	D	Z10NE030D	
Includes operating and installation instructions			
Without flex			
Language package			
D	EN, ES, FR, IT, PT		
Language descriptions as per ISO-639			

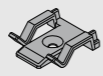
-		Flex	
	Market	Z10M200K	
	AU		
Length 2 m, incl. plug			

-		Power supply unit housing	
	Base mounting		
	Colour	Material	Z10NG000
	R7037	Nylon	
Includes cover			
For 24-watt SERVO-DRIVE power supply unit			

Alternative

-		Power supply unit housing	
	Panel fixing		
	Colour	Material	Z10NG120
	WGR	Nylon	
For 24-watt SERVO-DRIVE power supply unit			

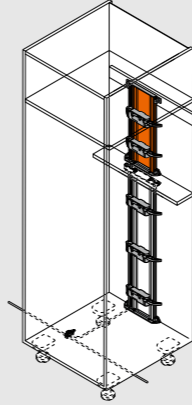
Accessories

-		Cable holder	
	Colour	Material	Z10K0009
	W	Nylon	
E.g. for fixing the SERVO-DRIVE distribution cable			
Colour			
R7037	RAL 7037 dust grey		
W	White		
WGR	White grey		

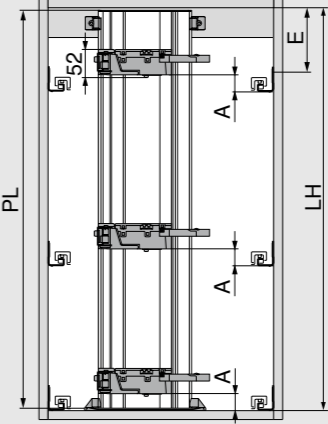
SPACE TOWER – top bracket profile

Planning

Cabinet



Position of drive unit



PL = LH - 10 mm

Round down to the nearest tenth

LH Internal cabinet height

PL Bracket profile length

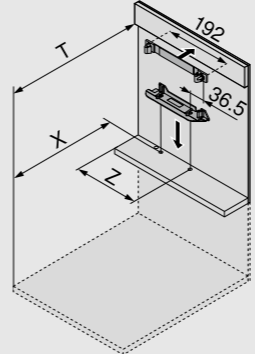
A Distance between bottom edge of cabinet profile and bottom edge of drive unit

E Minimum distance between the bottom edge of the cabinet top panel and the fixing position of the cabinet profile

		Internal cabinet width LW (mm)								
		242–266		267–286		287–316		≥ 317		
Back height		A (mm)	E min. (mm)	A (mm)	E min. (mm)	A (mm)	E min. (mm)	A (mm)	E min. (mm)	
N		–	–	28	32	28	32	28	32	
M K E		–	–	45	54	45	54	45	54	
A Distance between bottom edge of cabinet profile and bottom edge of drive unit										
E Minimum distance between the bottom edge of the cabinet top panel and the fixing position of the cabinet profile										
– Not possible										

Drilling distances

Cabinet base | Cross member



X (mm)	NL + 19
T (mm)	NL + 34

NL Nominal length
T Position front edge – cross member
X Drilling position
Z Indent distance

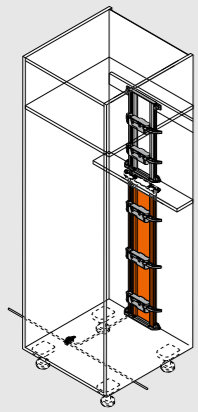
This bracket profile assembly position ensures that both inset pull-outs and pull-outs with overlay fronts can be opened by pushing or pulling. For this application, the following general dimensions apply:

		Internal cabinet width LW (mm)									
		242–266		267–286		287–316		317–386		≥ 387	
Back height		Z (mm)	H.	Z (mm)	H.	Z (mm)	H.	Z (mm)	H.	Z (mm)	H.
N		–	–	174		174		174		LW/2	
M K E		–	–	174		174		174		LW/2	
H. Lever extension					LW Internal cabinet width						
Z Indent distance					– Not possible						
Required					Remove						

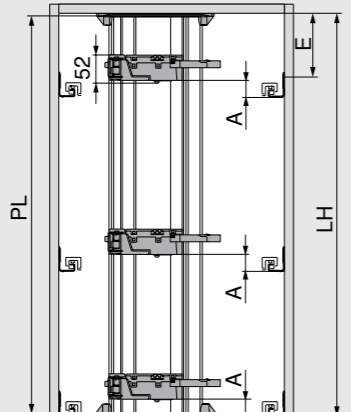
SPACE TOWER – bottom bracket profile

Planning

Cabinet



Position of drive unit



PL = LH - 10 mm

Round down to the nearest tenth

LH Internal cabinet height

PL Bracket profile length

A Distance between bottom edge of cabinet profile and bottom edge of drive unit

E Minimum distance between the bottom edge of the cabinet top panel and the fixing position of the cabinet profile

Drive unit position

Back height	Internal cabinet width LW (mm)							
	242–266		267–286		287–316		≥ 317	
	A (mm)	E min. (mm)	A (mm)	E min. (mm)	A (mm)	E min. (mm)	A (mm)	E min. (mm)
N	–	–	28	32	28	32	28	32
M K E	–	–	45	54	45	54	45	54

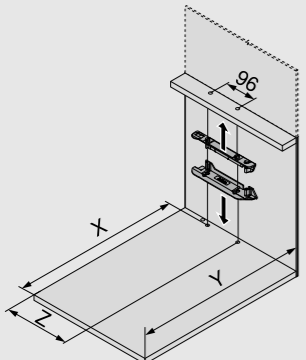
A Distance between bottom edge of cabinet profile and bottom edge of drive unit

E Minimum distance between the bottom edge of the cabinet top panel and the fixing position of the cabinet profile

– Not possible

Drilling distances

Cabinet base | Cross member



X (mm)	NL + 19
Y (mm)	NL + 33

NL Nominal length

X Drilling position

Y Min. space requirement

Z Indent distance

This bracket profile assembly position ensures that both inset pull-outs and pull-outs with overlay fronts can be opened by pushing or pulling. For this application, the following general dimensions apply:

Back height	Internal cabinet width LW (mm)									
	242–266		267–286		287–316		317–386		≥ 387	
	Z (mm)	H.	Z (mm)	H.	Z (mm)	H.	Z (mm)	H.	Z (mm)	H.
N	–	–	174		174		174		LW/2	
M K E	–	–	174		174		174		LW/2	

H. Lever extension

Z Indent distance

Required

LW Internal cabinet width

– Not possible

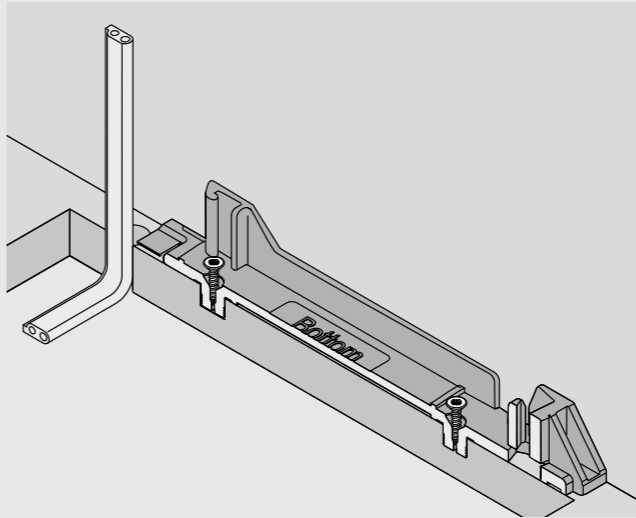
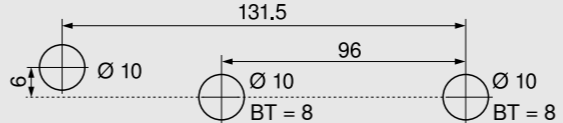
Remove

SPACE TOWER – bottom/top bracket profile

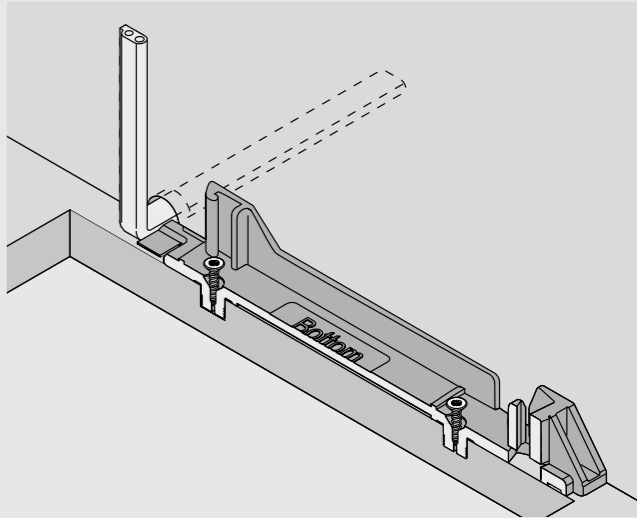
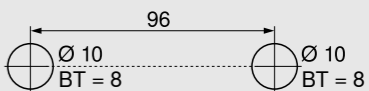
Planning

Cabinet base – drilling pattern

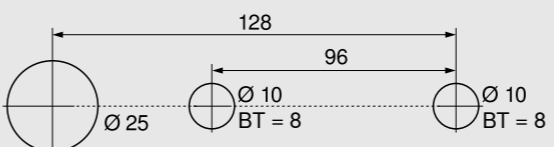
Lower cabling

Back cabling

Alternative drilling pattern for MINIPRESS top and MINIPRESS



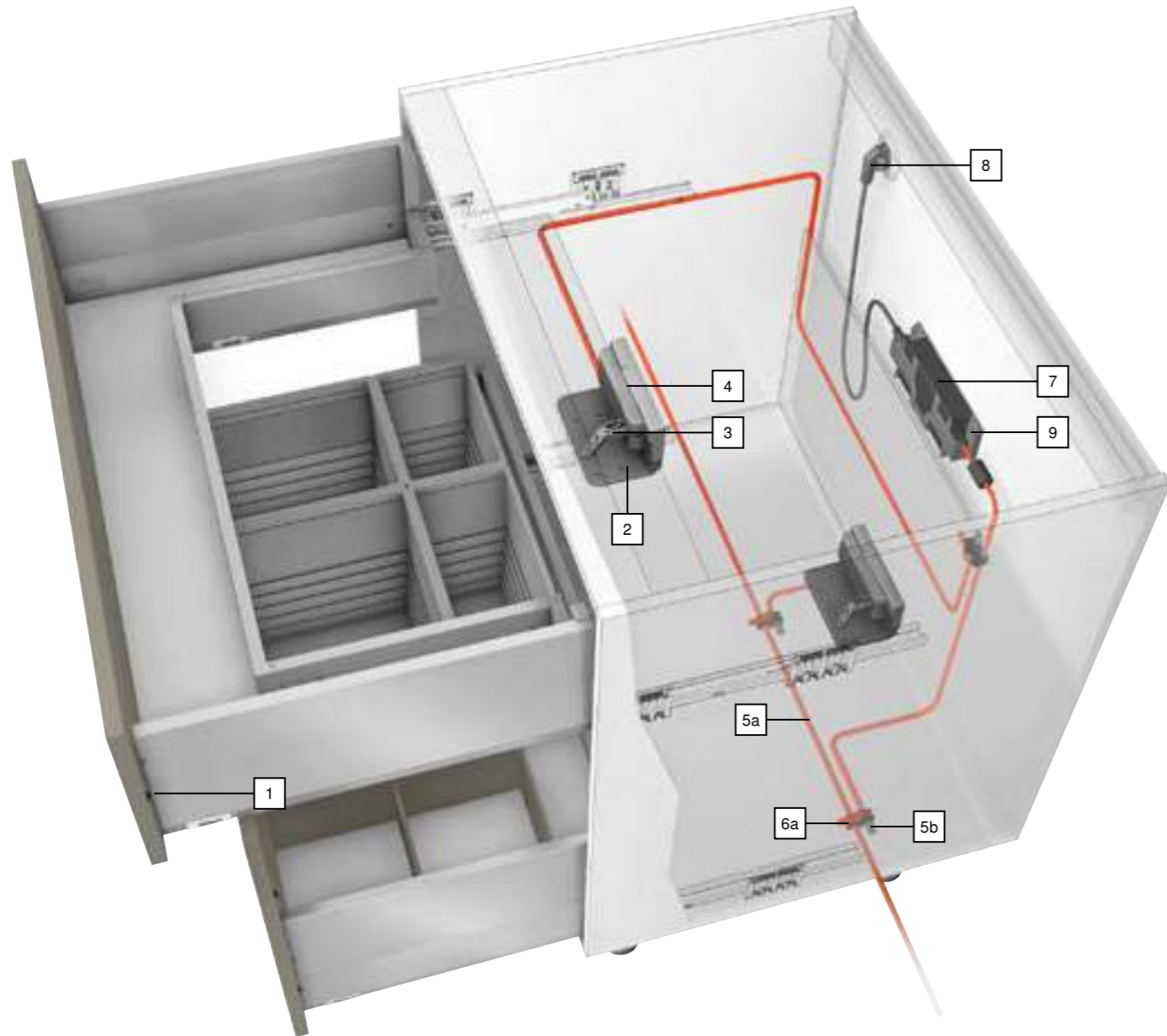
BT Drilling depth

Front assembly

Blum distance bumper

See page

Sink cabinet



Sink cabinet

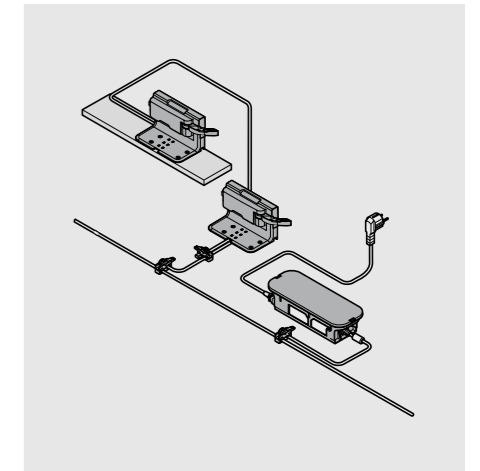
Product



Description

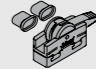
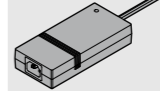
- Electrical opening support system in combination with BLUMOTION for soft and effortless closing
- With attachment bracket
- No fixed connection between the drive unit and pull-out
- Pull-outs need not be modified
- Quick assembly of pre-mounted parts

Cabling



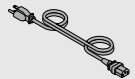
Ordering information

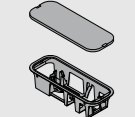
1	Blum distance bumper		
		Ø (mm)	
		5	993.0530
Up to front height 300 mm, use 2 pcs			
From front height 300 mm, use 4 pcs			
For 70 kg MERIVOBX cabinet profile, use 4 pcs			
2	Attachment bracket 1 tier		
		Colour	Material
	R7037	Nylon	Z10D0311
3	Drive unit		
		Colour	Material
	R7037	Nylon	Z10A3000.03
Includes pre-assembled lever extension			
4	Drip protection feature		
		Colour	Material
	R7037	Nylon	Z10D0316
5	SERVO-DRIVE distribution cable and cable end protector		
		Colour	Length (m)
	S	8	Z10K800AE
Consisting of:			
5a	1 x	SERVO-DRIVE distribution cable	
5b	5 x	Cable end protector	
Can be used as a distribution, bracket profile and communications cable			
For cutting to size			

6	Connecting node and cable end protector		
		Colour	Material
	S	Nylon	Z10V100E.01
Consisting of:			
6a	1 x	Connecting node	
5b	2 x	Cable end protector	
7	24-watt SERVO-DRIVE power supply unit		
		D	
			Z10NE030D
Includes operating and installation instructions			
Without flex			
Language package			
D	EN, ES, FR, IT, PT		
Language descriptions as per ISO-639			
Colour			
R7037	RAL 7037 dust grey		
S	Black		

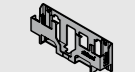
Sink cabinet

Ordering information

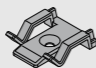
8	Flex		
		Market	
		AU	Z10M200K
Length 2 m, incl. plug			

-	Power supply unit housing		
	Base mounting		
	Colour	Material	
	R7037	Nylon	Z10NG000
Includes cover			
For 24-watt SERVO-DRIVE power supply unit			

Alternative

9	Power supply unit housing		
	Panel fixing		
	Colour	Material	
	WGR	Nylon	Z10NG120
For 24-watt SERVO-DRIVE power supply unit			

Accessories

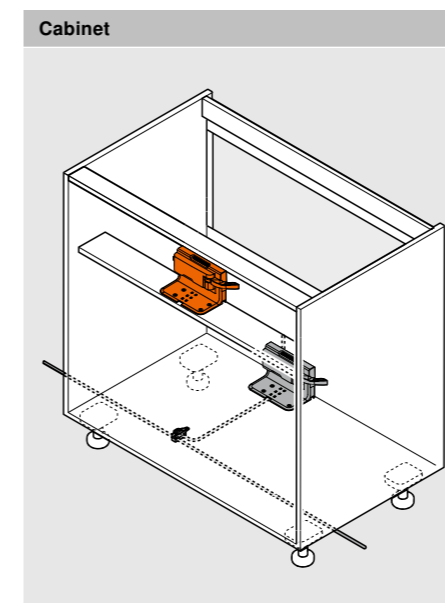
-	Cable holder		
	Colour	Material	
	W	Nylon	Z10K0009
E.g. for fixing the SERVO-DRIVE distribution cable			

-	Front/base stabiliser		
	Colour	Material	
	R7037	Nylon	Z96.10E1

Colour	
R7037	RAL 7037 dust grey
W	White
WGR	White grey

Sink cabinet – cross member – attachment bracket 1 tier

Planning

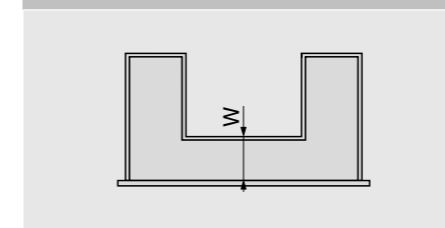


Position of drive unit

X Drilling position
A Distance between bottom edge of attachment bracket and bottom edge of drive unit
* Measured from cabinet front edge

Drawer back	Back height	A (mm)
Centre piece	N	28
	M K E	45

Recommendation

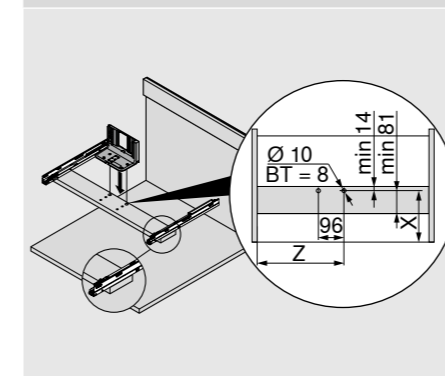


W Distance between front edge of drawer base and centre piece

For effective use of storage space, we recommend:
NL of outer drawer sides - NL of inner drawer sides = min. 150 mm

Drilling distances

Cross member

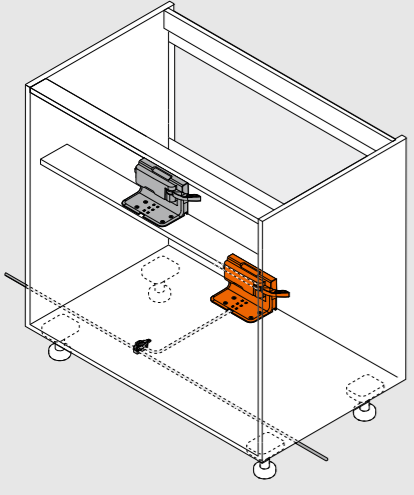


		Internal cabinet width LW (mm)	
		≥ 387	
		External nominal length NL (mm)	
		450–600	
Drawer back	Back height	X (mm)	Z (mm)
Centre piece	N M K E	W + 27	LW / 2
BT Drilling depth			
X Drilling position			
Z Indent distance			

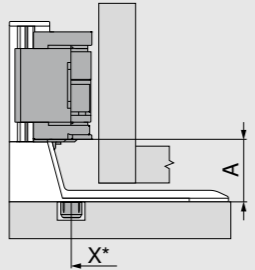
Sink cabinet – cabinet base – attachment bracket 1 tier

Planning

Cabinet



Position of drive unit



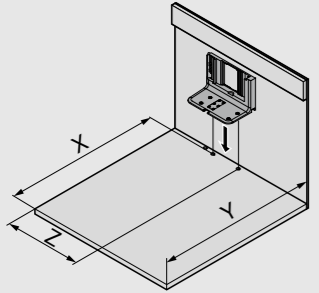
X Drilling position
A Distance between bottom edge of attachment bracket and bottom edge of drive unit

* Measured from cabinet front edge

	LW (mm)
	≥ 387
	A (mm)
Back height	
N	28
M K E	45
LW Internal cabinet width	

Drilling distances

Cabinet bottom panel



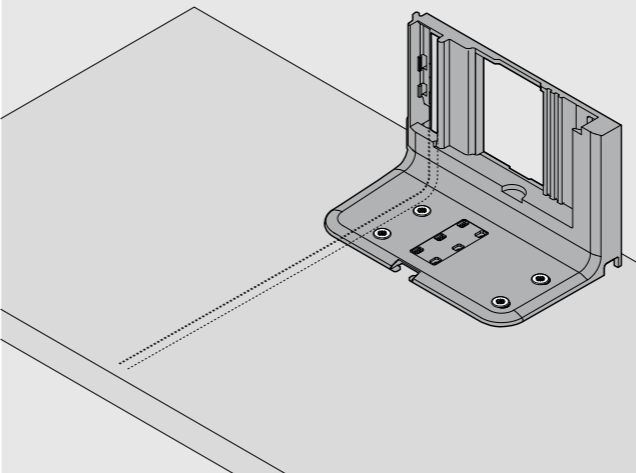
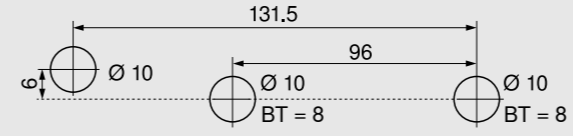
	Cabinet profile with over extension	
X (mm)	NL + 19	NL - 31
Y (mm)	NL + 35	NL + 3
Z (mm)	LW / 2	LW / 2
LW Internal cabinet width		
NL Nominal length		
X Drilling position		
Y Min. space requirement		
Z Indent distance		

Sink cabinet – cabinet base – attachment bracket 1 tier

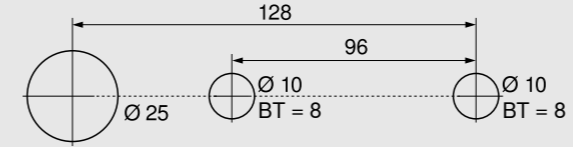
Planning

Cabinet base – drilling pattern

Lower cabling

Alternative drilling pattern for MINIPRESS top and MINIPRESS



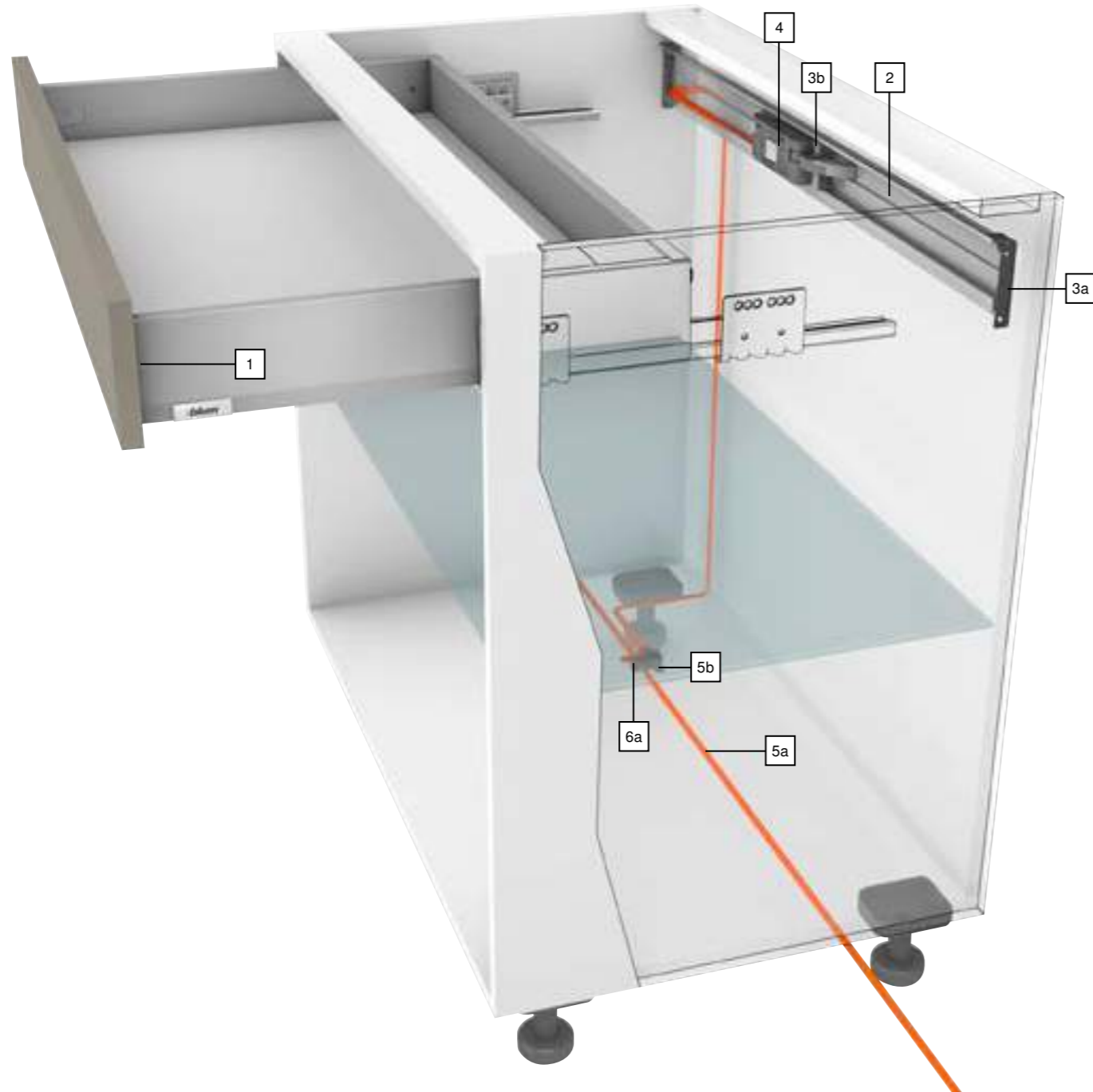
BT Drilling depth

Front assembly

Blum distance bumper

See page	95
----------	-----------

Cabinet with single pull-out – horizontal bracket profile



Cabinet with single pull-out – horizontal bracket profile

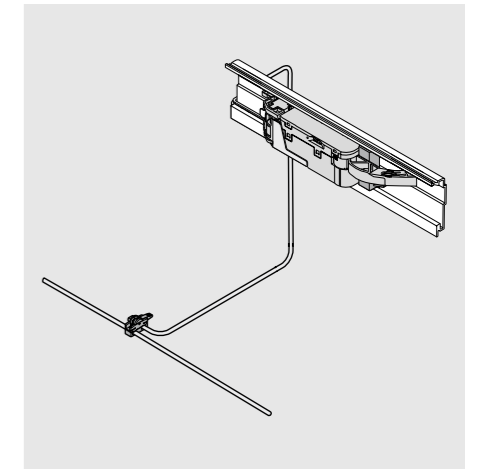
Product




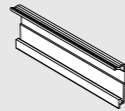
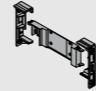
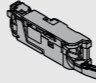
Description


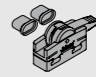
- Electrical opening support system in combination with BLUMOTION for soft and effortless closing
- With horizontal bracket profile
- No fixed connection between the drive unit and pull-out
- Pull-outs need not be modified
- Quick assembly of pre-mounted parts

Cabling



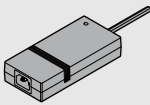
Ordering information

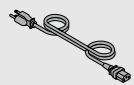
1	Blum distance bumper		
		Ø (mm)	
		5	993.0530
	Up to front height 300 mm, use 2 pcs		
	From front height 300 mm, use 4 pcs		
	For 70 kg MERIVOBOX cabinet profile, use 4 pcs		
2	Horizontal bracket profile		
		Length (mm)	
		1143	Z10T1143B
	For cabinet width KB 275–1200 mm		
	Aluminium for cutting to size		
Cutting	Internal cabinet width LW - 19 mm		
3	Horizontal bracket profile attachment		
		Colour	Material
		R7037	Nylon
			Z10D5210
Consisting of:			
3a	1 x	Bracket profile attachment left/right	
3b	1 x	Bracket profile adapter for drive unit	
Chipboard screws and system screws can be used			
4	Drive unit		
		Colour	Material
		R7037	Nylon
			Z10A3000.03
Includes pre-assembled lever extension			

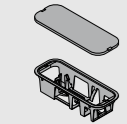
5	SERVO-DRIVE distribution cable and cable end protector		
		Colour	Length (m)
		S	8
			Z10K800AE
Consisting of:			
5a	1 x	SERVO-DRIVE distribution cable	
5b	5 x	Cable end protector	
Can be used as a distribution, bracket profile and communications cable			
For cutting to size			
6	Connecting node and cable end protector		
		Colour	Material
		S	Nylon
			Z10V100E.01
Consisting of:			
6a	1 x	Connecting node	
5b	2 x	Cable end protector	
Colour			
R7037	RAL 7037 dust grey		
S	Black		

Cabinet with single pull-out – horizontal bracket profile

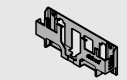
Ordering information

-		24-watt SERVO-DRIVE power supply unit	
	D	Z10NE030D	
Includes operating and installation instructions			
Without flex			
Language package			
D	EN, ES, FR, IT, PT		
Language descriptions as per ISO-639			

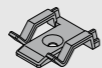
-		Flex	
	Market	Z10M200K	
	AU		
Length 2 m, incl. plug			
Without plug			

-		Power supply unit housing	
	Base mounting		
	Colour	Material	Z10NG000
	R7037	Nylon	
Includes cover			
For 24-watt SERVO-DRIVE power supply unit			

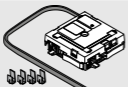
Alternative

-		Power supply unit housing	
	Panel fixing		
	Colour	Material	Z10NG120
	WGR	Nylon	
For 24-watt SERVO-DRIVE power supply unit			

Accessories

-		Cable holder	
	Colour	Material	Z10K0009
	W	Nylon	
E.g. for fixing the SERVO-DRIVE distribution cable			

-		Front/base stabiliser	
	Colour	Material	Z96.10E1
	R7037	Nylon	

-		COMBOX set	
	Colour	Material	Z10ZC00A
	S	Nylon	

Prevents front collisions when using SERVO-DRIVE in corner applications

Compatible with drive units Z10A3000.02 onwards

Can be used in combination with Z10K300A

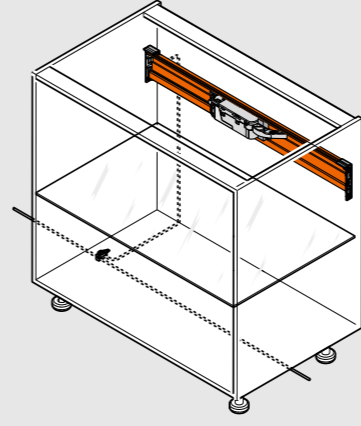
Includes all assembly and cabling components

Colour	
R7037	RAL 7037 dust grey
S	Black
W	White
WGR	White grey

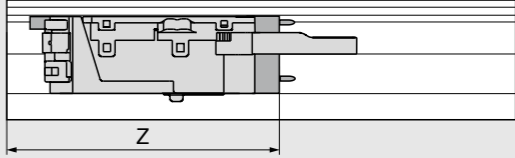
Cabinet with single pull-out – horizontal bracket profile

Planning

Cabinet



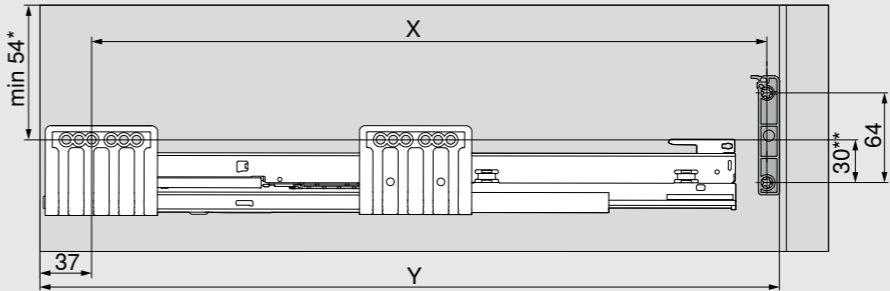
Position of drive unit



Z Indent distance

Drilling distances

Cabinet base | Cross member



X (mm)	NL - 9
Y (mm)	NL + 37
NL	Nominal length
X	Drilling position
Y	Min. space requirement

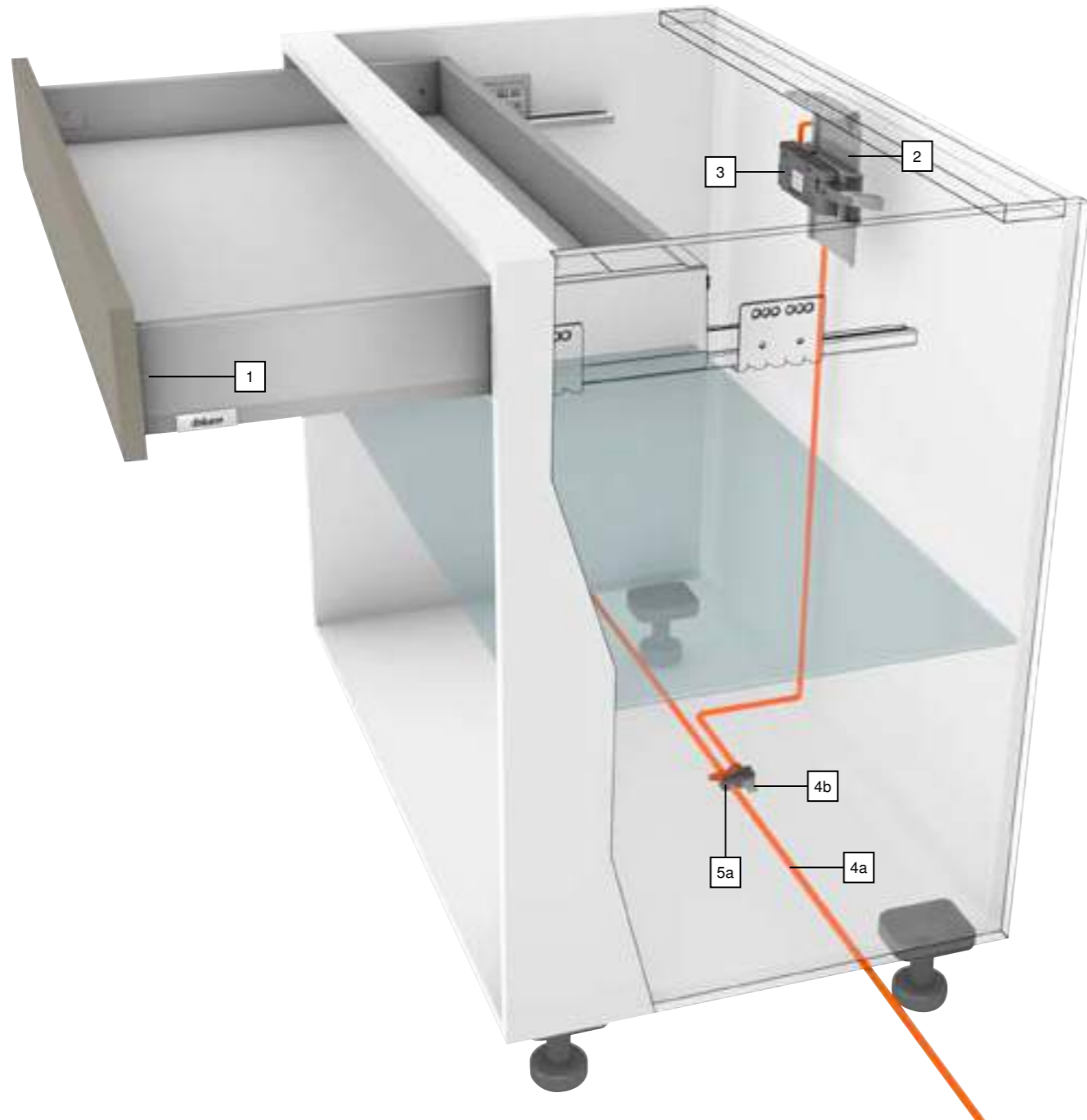
This bracket profile assembly position ensures that both inset pull-outs and pull-outs with overlay fronts can be opened by pushing or pulling. For this application, the following general dimensions apply:

* Back height	
N	32 mm
** Back height	
N	45 mm

Back height	Internal cabinet width LW (mm)									
	242–266		267–286		287–316		317–386		≥ 387	
	Z (mm)	H.	Z (mm)	H.	Z (mm)	H.	Z (mm)	H.	Z (mm)	H.
N	–	–	177	–	177	–	177	–	LW/2	–
M K E	–	–	177	–	177	–	177	–	LW/2	–
H.	Lever extension				LW Internal cabinet width					
Z	Indent distance				– Not possible					
	Required				Remove					

Front assembly	
Blum distance bumper	
See page	95

Cabinet with single pull-out – upper attachment bracket



Cabinet with single pull-out – upper attachment bracket

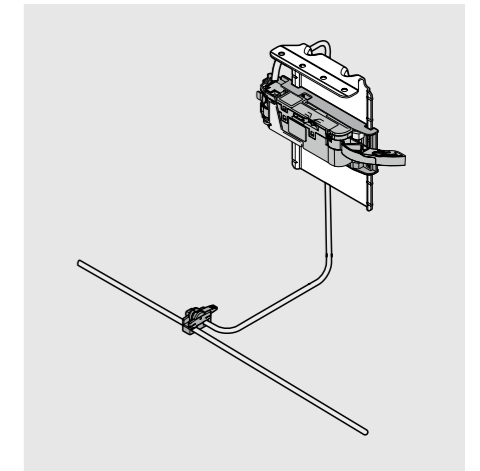
Product




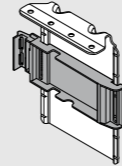
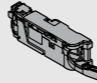
Description


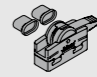
- Electrical opening support system in combination with BLUMOTION for soft and effortless closing
- With upper attachment bracket
- No fixed connection between the drive unit and pull-out
- Pull-outs need not be modified
- Quick assembly of pre-mounted parts

Cabling



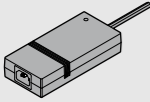
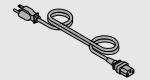
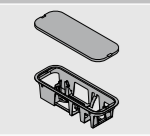
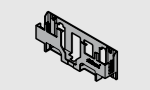
Ordering information

1	Blum distance bumper		
		Ø (mm)	
		5	993.0530
	Up to front height 300 mm, use 2 pcs		
	From front height 300 mm, use 4 pcs		
	For 70 kg MERIVOBX cabinet profile, use 4 pcs		
2	Upper attachment bracket		
		Colour	Material
		R7037/ZN	Steel
			Z10D6252
	Includes pre-mounted adapter for drive unit		
3	Drive unit		
		Colour	Material
		R7037	Nylon
			Z10A3000.03
	Includes pre-assembled lever extension		

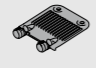
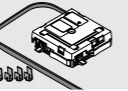
4	SERVO-DRIVE distribution cable and cable end protector		
		Colour	Length (m)
		S	8
			Z10K800AE
	Consisting of:		
4a	1 x	SERVO-DRIVE distribution cable	
4b	5 x	Cable end protector	
	Can be used as a distribution, bracket profile and communications cable		
	For cutting to size		
5	Connecting node and cable end protector		
		Colour	Material
		S	Nylon
			Z10V100E.01
	Consisting of:		
5a	1 x	Connecting node	
4b	2 x	Cable end protector	
	Colour		
	R7037	RAL 7037 dust grey	
	S	Black	
	ZN	Zinc plated	

Cabinet with single pull-out – upper attachment bracket

Ordering information

-		24-watt SERVO-DRIVE power supply unit	
		D	Z10NE030D
Includes operating and installation instructions			
Without flex			
Language package			
D	EN, ES, FR, IT, PT		
Language descriptions as per ISO-639			
-		Flex	
		Market	
		AU	Z10M200K
Length 2 m, incl. plug			
Without plug			
-		Power supply unit housing	
	Base mounting		
	Colour	Material	
	R7037	Nylon	Z10NG000
Includes cover			
For 24-watt SERVO-DRIVE power supply unit			
Alternative			
-		Power supply unit housing	
	Panel fixing		
	Colour	Material	
	WGR	Nylon	Z10NG120
For 24-watt SERVO-DRIVE power supply unit			

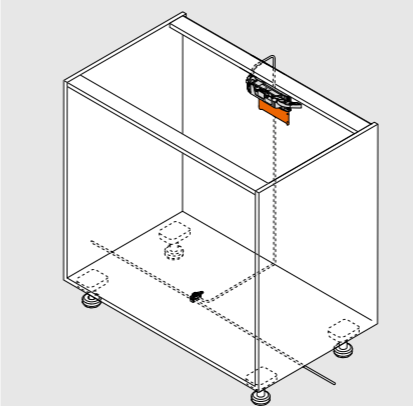
Accessories

-		Cable holder	
	Colour	Material	
	W	Nylon	Z10K0009
E.g. for fixing the SERVO-DRIVE distribution cable			
-		Front/base stabiliser	
	Colour	Material	
	R7037	Nylon	Z96.10E1
-		COMBOX set	
	Colour	Material	
	S	Nylon	Z10ZC00A
Prevents front collisions when using SERVO-DRIVE in corner applications			
Compatible with drive units Z10A3000.02 onwards			
Can be used in combination with Z10K300A			
Includes all assembly and cabling components			
Colour			
R7037	RAL 7037 dust grey		
S	Black		
W	White		
WGR	White grey		

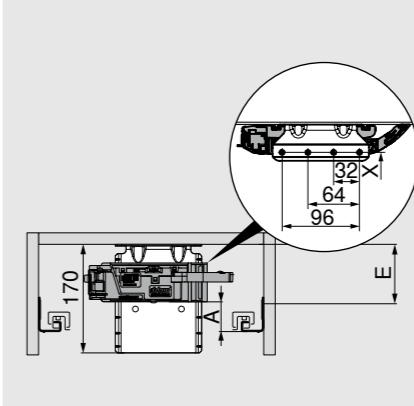
Cabinet with single pull-out – upper attachment bracket

Planning

Cabinet



Position of drive unit



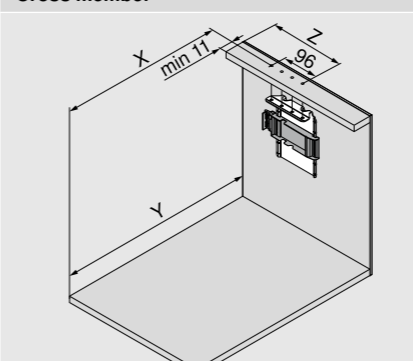
- X Drilling position
- A Distance between bottom edge of cabinet profile and bottom edge of drive unit
- E Minimum distance between the bottom edge of the cabinet top panel and the fixing position of the cabinet profile

The cross member must be connected to the worktop area for increased stability

Drive unit position		Internal cabinet width LW (mm)											
		242–266			267–286			287–316			≥ 317		
Back height		A (mm)	E min. (mm)	E max. (mm)	A (mm)	E min. (mm)	E max. (mm)	A (mm)	E min. (mm)	E max. (mm)	A (mm)	E min. (mm)	E max. (mm)
N		–	–	–	28	50	139	28	50	139	28	50	139
M K E		–	–	–	45	67	157	45	67	157	45	67	157
A		Distance between bottom edge of cabinet profile and bottom edge of drive unit											
E		Minimum distance between the bottom edge of the cabinet top panel and the fixing position of the cabinet profile											
–		Not possible											

Drilling distances

Cross member



X (mm)	NL - 1
Y (mm)	NL + 34

NL Nominal length
 X Drilling position
 Y Min. space requirement
 Z Indent distance

This bracket profile assembly position ensures that both inset pull-outs and pull-outs with overlay fronts can be opened by pushing or pulling. For this application, the following general dimensions apply:

		Internal cabinet width LW (mm)									
		242–266		267–286		287–316		317–386		≥ 387	
Back height		Z (mm)	H.	Z (mm)	H.	Z (mm)	H.	Z (mm)	H.	Z (mm)	H.
N		–	–	174		174		174		LW/2	
M K E		–	–	174		174		174		LW/2	
H.	Lever extension					LW Internal cabinet width					
Z	Indent distance					– Not possible					
	Required					Remove					

Front assembly	
Blum distance bumper	
See page	95

Bottom mount waste bin solution



Bottom mount waste bin solution

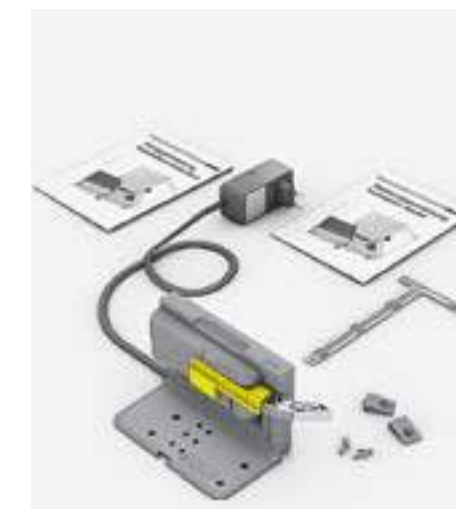
Product



Description

- Electrical opening support system in combination with BLUMOTION for soft and effortless closing
- Suitable for individual applications
- For bottom mount waste bin solutions
- Also ideal for retrofitting
- No fixed connection between the drive unit and pull-out
- Pull-outs need not be modified
- Simple and quick assembly of pre-mounted parts

Space requirement



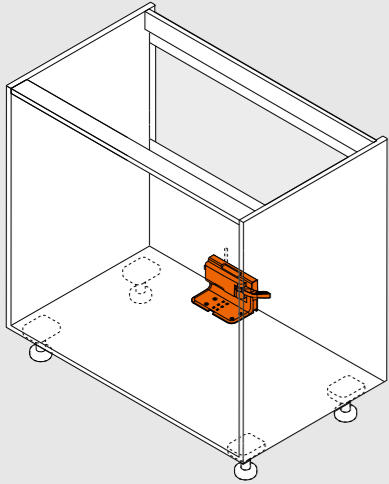
Ordering information

SERVO-DRIVE uno set			
	Power adapter	Language package	Z10NA30KD
	K	D	
Power adapter			
K			
See the Information chapter of the Blum catalogue for a detailed market list.			
Language package			
D	EN, ES, FR, IT, PT		
Other combinations available upon request			
Pre-mounted set			
Consisting of:			
-	2 x	Blum distance bumper	
1a	1 x	Attachment bracket 1 tier	
1b	1 x	Drive unit	
1c	1 x	Transport protection	
1d	1 x	Drip protection feature	
1e	1 x	12-watt SERVO-DRIVE plug-in power supply unit	
1f	1 x	Assembly device	
-	7 x	Screws for Blum distance bumper and attachment bracket	
-	1 x	Installation instructions	
-	1 x	Operating instructions	

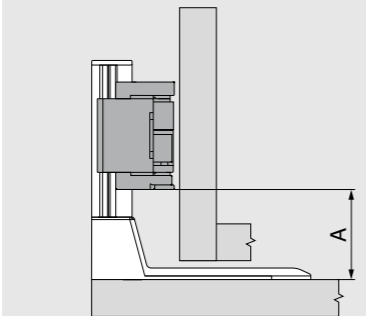
Bottom mount waste bin solution

Planning

Cabinet



Position of drive unit

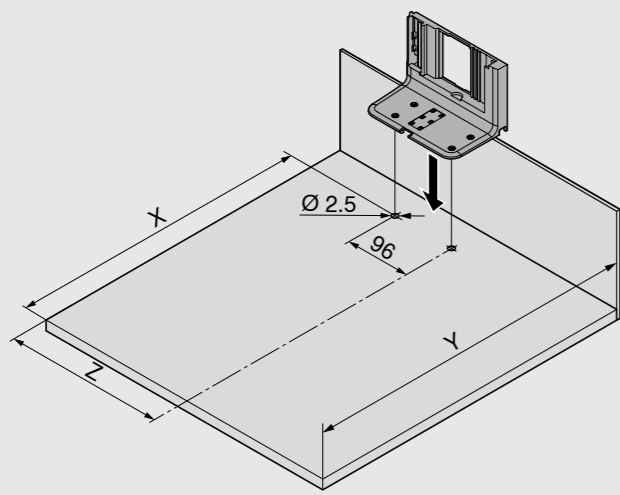


Internal cabinet width LW (mm)	
≥ 387	
A min. (mm)	A max. (mm)
28	45

A Distance between bottom edge of cabinet profile and bottom edge of drive unit

Drilling distances

Cabinet base



Internal cabinet width LW (mm)		
≥ 387		
X (mm)	Y (mm)	Z (mm)
NL - 45	NL + 35	LW / 2

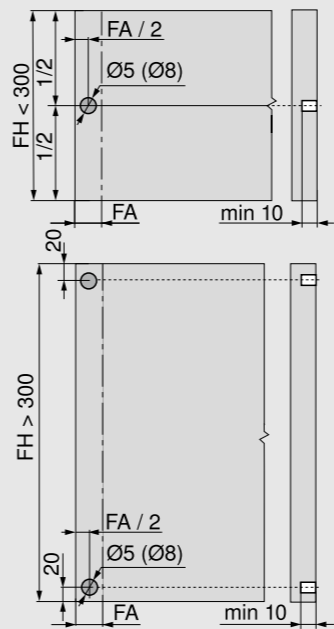
Cabinet profile with over extension		
X (mm)	Y (mm)	Z (mm)
NL - 95	NL + 3	LW / 2

NL Nominal length
 X Drilling position
 Y Min. space requirement
 Z Indent distance

Information about SERVO-DRIVE

Front assembly

Blum distance bumper



The Blum distance bumper ensures the required trigger path of 2 mm

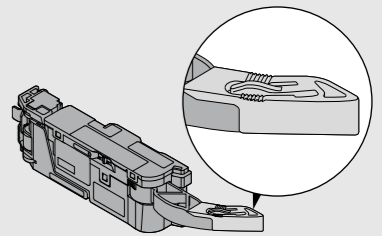
When using a 70 kg MERIVOBX cabinet profile, install 4 Blum distance bumpers

For optimal triggering with front heights FH > 300 mm Use front/base stabiliser

FA	Front overlay
FH	Front height

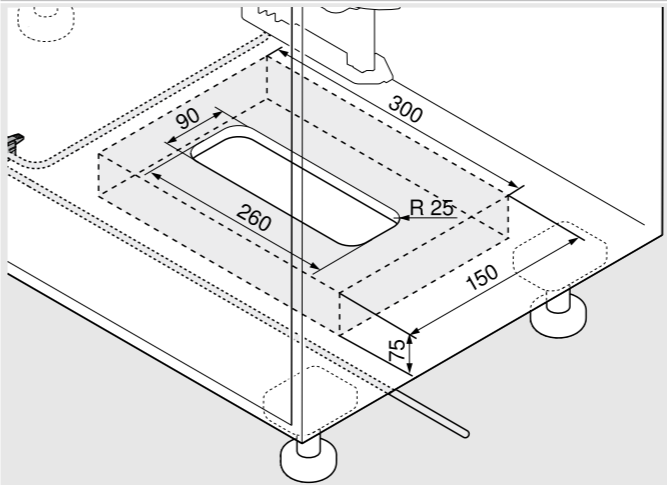
Drive unit

Lever extension

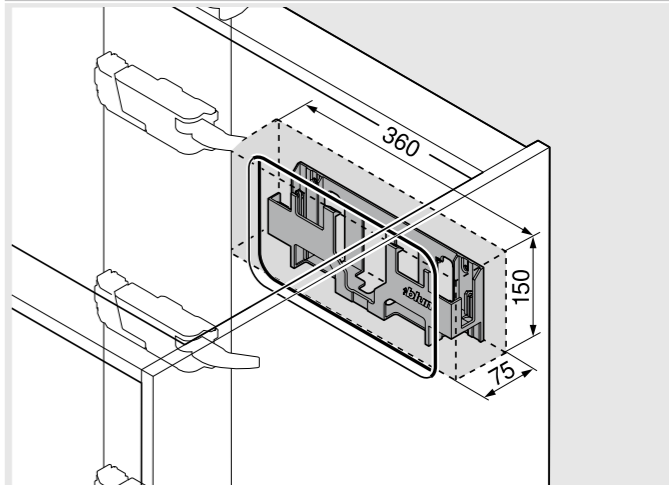


Space requirement and safety distance for power supply unit housing

Base fixing



Panel fixing



Attention

⚠ Maintain a 30 mm safety distance from the bottom edge (base fixing) and/or front edge (panel fixing) and side edges of the power supply unit housing to the neighbouring elements! Air must be able to circulate, otherwise the SERVO-DRIVE power supply unit could overheat!

Assembly, adjustment and removal



www.blum.com/servodrive1

Product

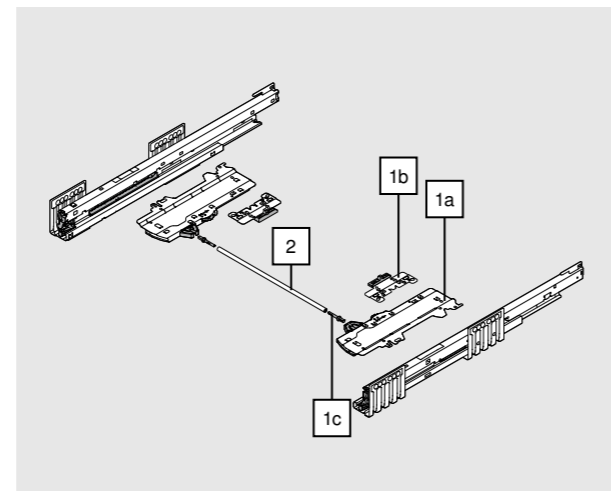


Description

- TIP-ON mechanical opening support system combined with BLUMOTION for soft and effortless closing
- Small minimum front gap of just 2.5 mm
- Extensive trigger range
- Optional synchronisation from internal cabinet width LW 243 mm – we generally recommend synchronisation in all cases
- 4-dimensional front adjustment option

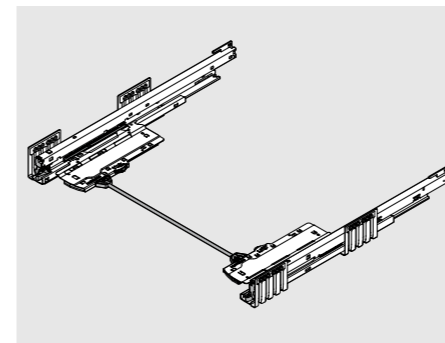
Ordering information

1 TIP-ON BLUMOTION set				
The TIP-ON BLUMOTION unit is available in varying strengths to suit different weight ranges and nominal lengths. Each version has a different colour to make them easy to distinguish. The latch can be universally used for all TIP-ON BLUMOTION units.				
NL (mm)	Unit	Cabinet profile (kg)	Weight (kg)	
270–300	S0 White	40	≤ 10	T60H4040
270–300	S1 Light grey	40	> 10–20	T60H4140
350–600	L1 Light grey	40	² ≤ 20	T60H4340
350–600	L3 Dust grey	40	² 15–40	T60H4540
450–600	L5 Black	70	³ 35–70	T60H4570
Consisting of:				
1a	1 x	TIP-ON BLUMOTION unit left/right		
1b	1 x	TIP-ON BLUMOTION latch symmetrical		
1c	2 x	TIP-ON BLUMOTION synchronisation adapter		
Internal cabinet width LW ≥ 297 mm				
¹	Recommended weight ranges (total weight of the pull-out) for an optimum opening and closing function			
²	Can only be combined with a 40 kg cabinet profile			
³	Recommendation: Only use in combination with a 70 kg cabinet profile			
Make the right calculations for your TIP-ON BLUMOTION unit using the Product Configurator: www.blum.com/configurator				
Internal cabinet width LW ≥ 297 mm				
2 TIP-ON BLUMOTION synchronisation linkage				
	Version	Colour		
	Round	Grey		
T60.1125W				
In combination with 1c 2 x T60.000D				
Suitable up to internal cabinet width LW 1370 mm				
Note				
To optimise the function and increase the trigger range, we generally recommend using synchronisation.				
Cutting	Internal cabinet width LW - 250 mm			



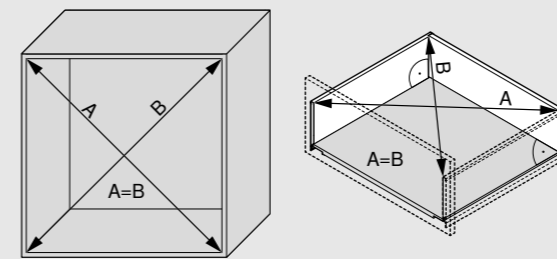
Accessories

Internal cabinet width LW ≥ 297 mm		
1c	TIP-ON BLUMOTION synchronisation adapter	
	Version	Colour
	Symmetrical	RAL 7035 light grey
T60.000D		
Order 2x		
TIP-ON BLUMOTION checking/setting template		
	Front gap FS (mm)	Colour
	2.5	Orange
65.5627		



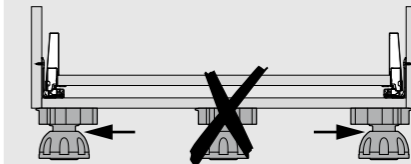
- TIP-ON BLUMOTION for MERIVOBX uses the same standard installation dimensions as MERIVOBX
- The following diagrams show a drawer with height M

Furniture construction

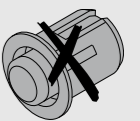


Precise manufacturing is required to ensure a front gap of at least 2.5 mm. This means that the construction must adhere to the dimensions and angles planned.

Plinth leg



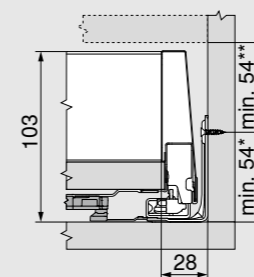
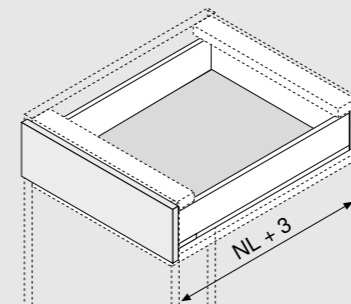
Front assembly



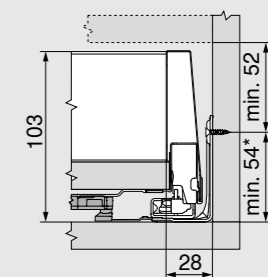
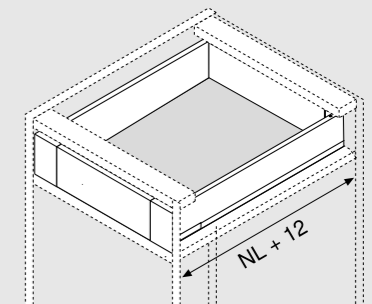
Bumpers must not be installed for TIP-ON BLUMOTION!

Space requirements in the cabinet

Drawer/high fronted pull-out



Inner drawer/inner pull-out



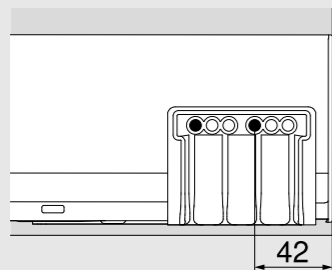
* + 1 mm if cabinet profiles are installed before cabinet is assembled
 ** Incl. 2 mm tilt adjustment

Latch (Z17.0M06) and latch housing (ZIF.7002) cannot be used in combination with TIP-ON BLUMOTION

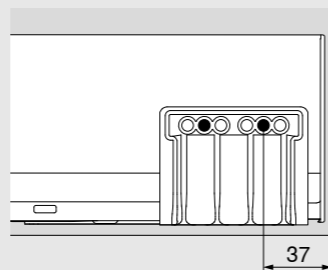
NL Nominal length

Planning

Screw position – inner drawer | inner pull-out

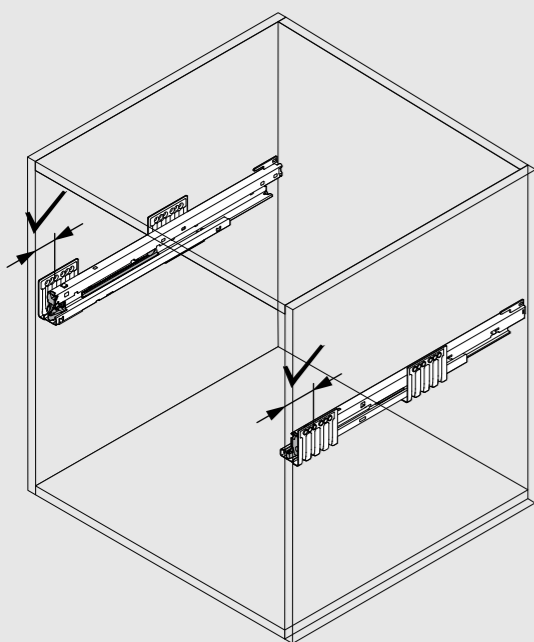


Variant 1



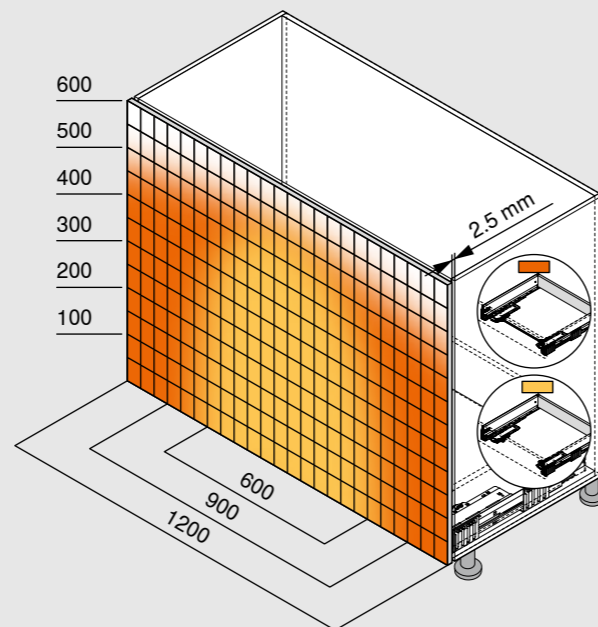
Variant 2

Depth position



Ensure that both cabinet profiles are positioned at the correct depth.

Trigger range



Trigger range

- With synchronisation
- Without synchronisation

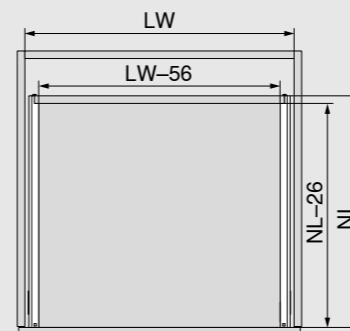
Minimum front gap (mm) 2.5

To optimise the function and increase the trigger range, we generally recommend using synchronisation.

Example of height E, nominal length NL 500 mm

Cutting dimensions

Cutting dimensions of cutlery insert/non-slip mat

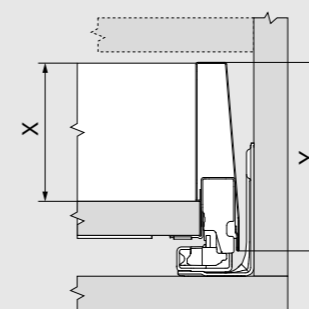


Length

Nominal length NL of drawer side - 26 mm

Width

Internal cabinet width LW - 56 mm



Height X of inner drawer side	Height Y of outer drawer side
Height N - 44.5 mm	Height N - 68.5 mm
Height M - 67 mm	Height M - 91 mm
Height K - 105 mm	Height K - 129 mm
Height E - 168 mm	Height E - 192 mm

Assembly, adjustment and removal



www.blum.com/tobmvx

Material and colour

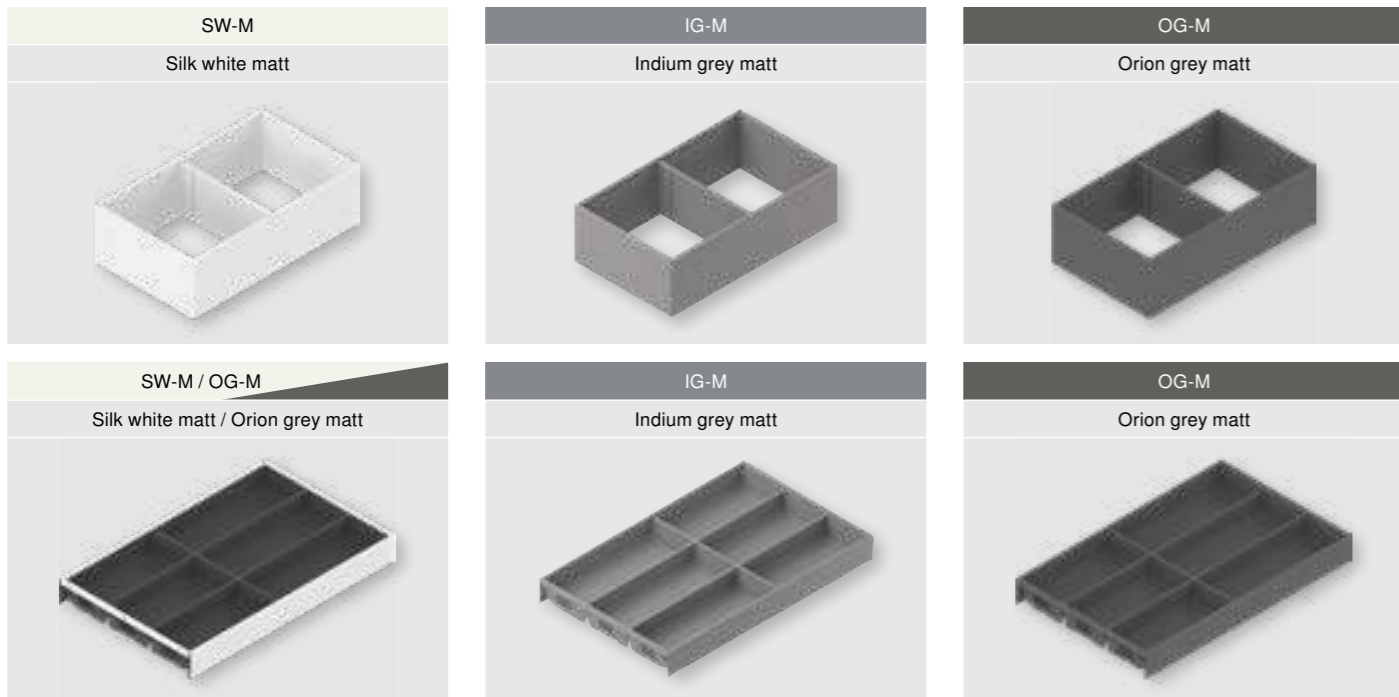
Steel design



More information on AMBIA-LINE

www.blum.com/ambialine

Colours



Cutlery insert

Steel design



- Containers with a soft touch coating
- Resistant, noise-reducing surface
- Can be positioned as desired and provides a secure hold
- Suitable for MERIVOBX drawers height M and K
- Can be used for nominal lengths of 450 to 600 mm
- Frame height 50 mm
- Material: Steel, powder-coated

Ordering information

Cutlery insert		SW-M / OG-M	IG-M	OG-M
	Nominal length (mm) 450	Width (mm) 300	ZC7S450BS3	
	500	300	ZC7S500BS3	
	550	300	ZC7S550BS3	
	600	300	ZC7S600BS3	

Drawer frame
Steel design


- Elegant, slim design
- Can be positioned as desired and provides a secure hold
- Adjustable cross dividers that can be adapted to the items stored, tool-free adjustment in the hole pattern
- Optional film/foil dispenser and knife holder
- Suitable for MERIVOBOX drawers height M and K
- Can be used for nominal lengths of 270 to 600 mm
- Frame height 50 mm
- Material: Steel, powder-coated

Ordering information

Drawer frame for nominal lengths of 270 mm or more					
	Nominal length (mm)	Width (mm)	SW-M	IG-M	OG-M
		270–400	242	ZC7S300RSU	

Incl. magnet for connection to the drawer side or steel back

Adapter profile for connection to chipboard back (optional)					
	Height	Width (mm)	SW-M	IG-M	OG-M
	M	242	ZC7A0U0M		
	K	242	ZC7A0U0K		

Recommended from nominal length 350 mm

Drawer frame					
	Nominal length (mm)	Width (mm)	SW-M	IG-M	OG-M
		450	100	ZC7S450RS1	
500		100	ZC7S500RS1		
550		100	ZC7S550RS1		
	600	100	ZC7S600RS1		
	450	200	ZC7S450RS2		
	500	200	ZC7S500RS2		
	550	200	ZC7S550RS2		
	600	200	ZC7S600RS2		

Cross divider					
	Height (mm)	Width (mm)	SW-M	IG-M	OG-M
		50	100	ZC7Q010SS	
50		200	ZC7Q020SS		
		242	ZC7Q0U0SS		

Frame for high fronted pull-outs
Steel design


- Elegant, slim design
- Can be positioned as desired and provides a secure hold
- Adjustable cross dividers that can be adapted to the items stored, tool-free adjustment in the hole pattern
- Spice holder available as an option
- Suitable for MERIVOBOX high fronted pull-out and inner pull-out, height E
- Can be used for nominal lengths of 270 to 600 mm
- Frame height 110 mm
- Material: Steel, powder-coated

Ordering information

Frame for high fronted pull-outs					
	Nominal length (mm)	Width (mm)	SW-M	IG-M	OG-M
		270–600	242	ZC7F300RSU	
400–600		218	ZC7F400RSP		

Adapter profile for connection to chipboard back (optional)					
	Height	Width (mm)	SW-M	IG-M	OG-M
	E	242	ZC7A0U0C		
	E	218	ZC7A0P0C		

Recommended from nominal length 350 mm

Cross divider					
	Height (mm)	Width (mm)	SW-M	IG-M	OG-M
		110	242	ZC7Q0U0FS	
110		218	ZC7Q0P0FS		


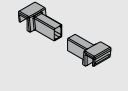
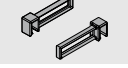
AMBIA-LINE cross gallery

Steel design



- Cross gallery made from aluminium for cutting to size
- Can be positioned as desired and provides a secure hold
- Suitable for MERIVOBX high fronted pull-out and inner pull-out, height E

Ordering information

Cross gallery for cutting to size				
	Length (mm)	SW-M	IG-M	OG-M
	1059			ZR4.1059U
Suitable for cabinet width KB up to 1200 mm				
For cutting to size				
Cutting:		Internal cabinet width LW - 111 mm		
Attachments				
	Gallery, gallery with design element, BOXCAP, E drawer side	SW-M	IG-M	OG-M
	Design element BOXCOVER		ZC4U10E0	ZC4U11E0
Lateral divider				
	Length (mm)	SW-M	IG-M	OG-M
	84		ZC4U10F0	

Bottle set

Steel design



- Bottle set for combination with drawer frame, for nominal lengths of 450 mm or greater, steel design
- Can be positioned as desired and provides a secure hold
- Suitable for MERIVOBX high fronted pull-out, height E
- Installation height 140 mm (drawer frame with bottle set)
- Material: Steel, powder-coated

Ordering information

Bottle set					
	Nominal length (mm)	Width (mm)	SW-M	IG-M	OG-M
		from 450	100		ZC7B0100S
	450 or more	200		ZC7B0200S	
Not suitable for inner pull-outs.					
Narrow drawer frame					
	Nominal length (mm)	Width (mm)	SW-M	IG-M	OG-M
	450	100		ZC7S450RS1	
	500	100		ZC7S500RS1	
	550	100		ZC7S550RS1	
	600	100		ZC7S600RS1	
Wide drawer frame					
	Nominal length (mm)	Width (mm)	SW-M	IG-M	OG-M
	450	200		ZC7S450RS2	
	500	200		ZC7S500RS2	
	550	200		ZC7S550RS2	
	600	200		ZC7S600RS2	

Kitchen accessories



The attractive AMBIA-LINE kitchen accessories combine elegant design with well-conceived functionality. Holders for knives, plates and spices and a film/foil dispenser help to keep the kitchen tidy. Everything runs like clockwork because you have clear visibility of utensils in the pull-out and everything is immediately to hand.





Kitchen accessories

Assembly, adjustment and removal

www.blum.com/ambialine-accessories

Ordering information

Knife holder			
	Length (mm)	Width (mm)	OG-M
	409	187	ZC7M0200
For 9 knives			
For drawer height M and height K			
Nominal length 450 mm or more			
Foil/film dispenser			
	Length (mm)	Width (mm)	OG-M
	409	187	ZC7C0000
	Dual dispenser, cling film and aluminium foil, with film/foil		ZC7C0001
Dual dispenser, cling film and aluminium foil, without film/foil		ZC7C0001	
For drawer height M and height K			
Nominal length 450 mm or more			
Spice holder			
	Length (mm)	Width (mm)	OG-M
	356	205	ZC7G0P01
For high fronted pull-out, height E			
Plate holder			
	Plate Ø (mm)	Height of storage items	OG-M
	186–322	Up to 12 plates	ZC7T0350
For high fronted pull-out, height E			

 **Houzz** PRO:
Blum Australia

 **Instagram:**
@blumaustralia, #blumaustralia

 **Facebook:**
facebook.com/blumaustralia

 **Android App on Google Play:**
Easy Assembly App

 **Available on the App Store:**
Easy Assembly App

 **Tag Us:**
#blumaustralia

**Blum Showrooms
Sydney (Head Office)**

10 Blackbird Close
Len Waters Estate NSW 2170
Ph: 02 9612 5400

Adelaide

179 Railway Terrace
Mile End SA 5031
Ph: 08 8118 6070

Brisbane

6/39-45 Compton Road
Underwood QLD 4119
Ph: 07 3135 9490

Melbourne

245 Ferntree Gully Road
Mount Waverley VIC 3149
Ph: 03 9982 1720

Perth

3/425 Scarborough Beach Road
Osborne Park WA 6017
Ph: 08 6467 0110

Blum Australia Pty Ltd

PO BOX 1615
Green Valley, NSW, 2168
Australia

Toll Free: 1800 179 186
E-mail: info.au@blum.com
blum.com

