

CINETTO LIBRO MAXI

(PS11)

Assembly instructions



wilson
&bradley

All dimensions in this leaflet are stated in millimeters.

WARNING

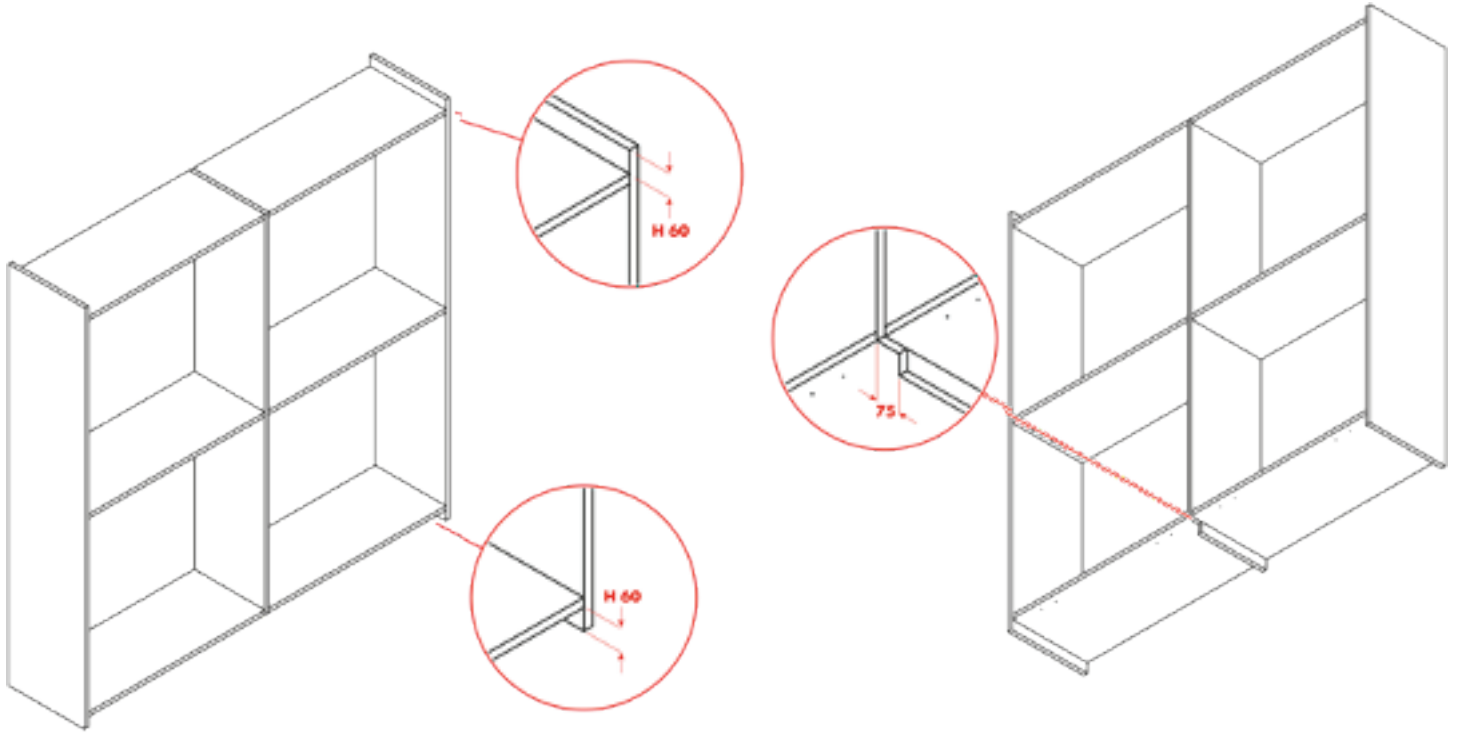
Do not use any anti-friction oil or grease or thread-release spray on ball bearing or on wheels with O-ring, it can cause the melting of the inside ball bearing grease, making them noisy or causing the break of the O-ring of the wheels.

ABBREVIATIONS

W	width
WA	door width
L	length
LB	rail length
D	depth
H	height
I	distance between centres
T	thickness
S	overlapping

The pictures and descriptions this leaflet contains are supplied for information purposes. The company reserves the right to introduce those modifications it deems opportune for any construction or commercial need at any time and without advance notice.

Cabinet Requirements

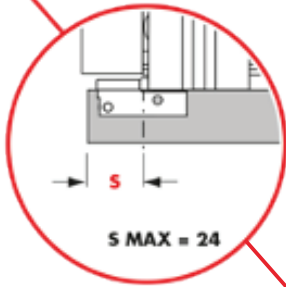
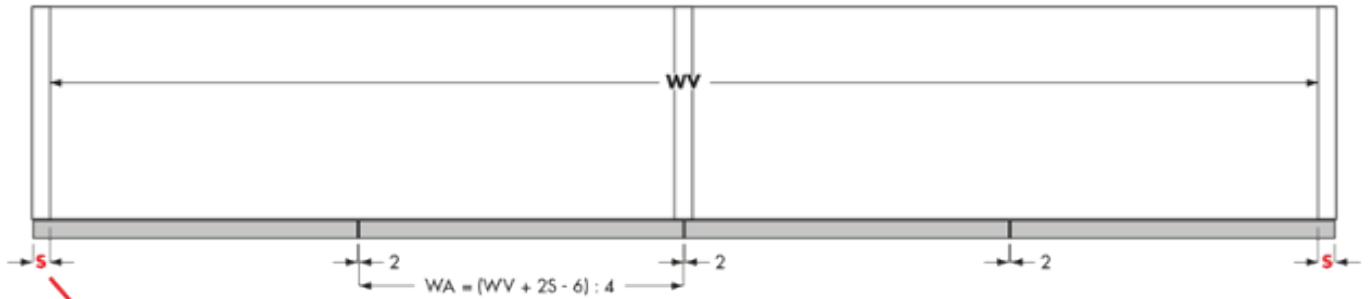


Top Height Clearance = Min 60mm

Bottom Height Clearance = Min 60mm

Bottom Depth Clearance = Min 75mm

Door Calculations



$$WA = (WV + 2S - \text{Total gaps}) / \text{total panels}$$

Maximum carcass/panel overlay is 24mm

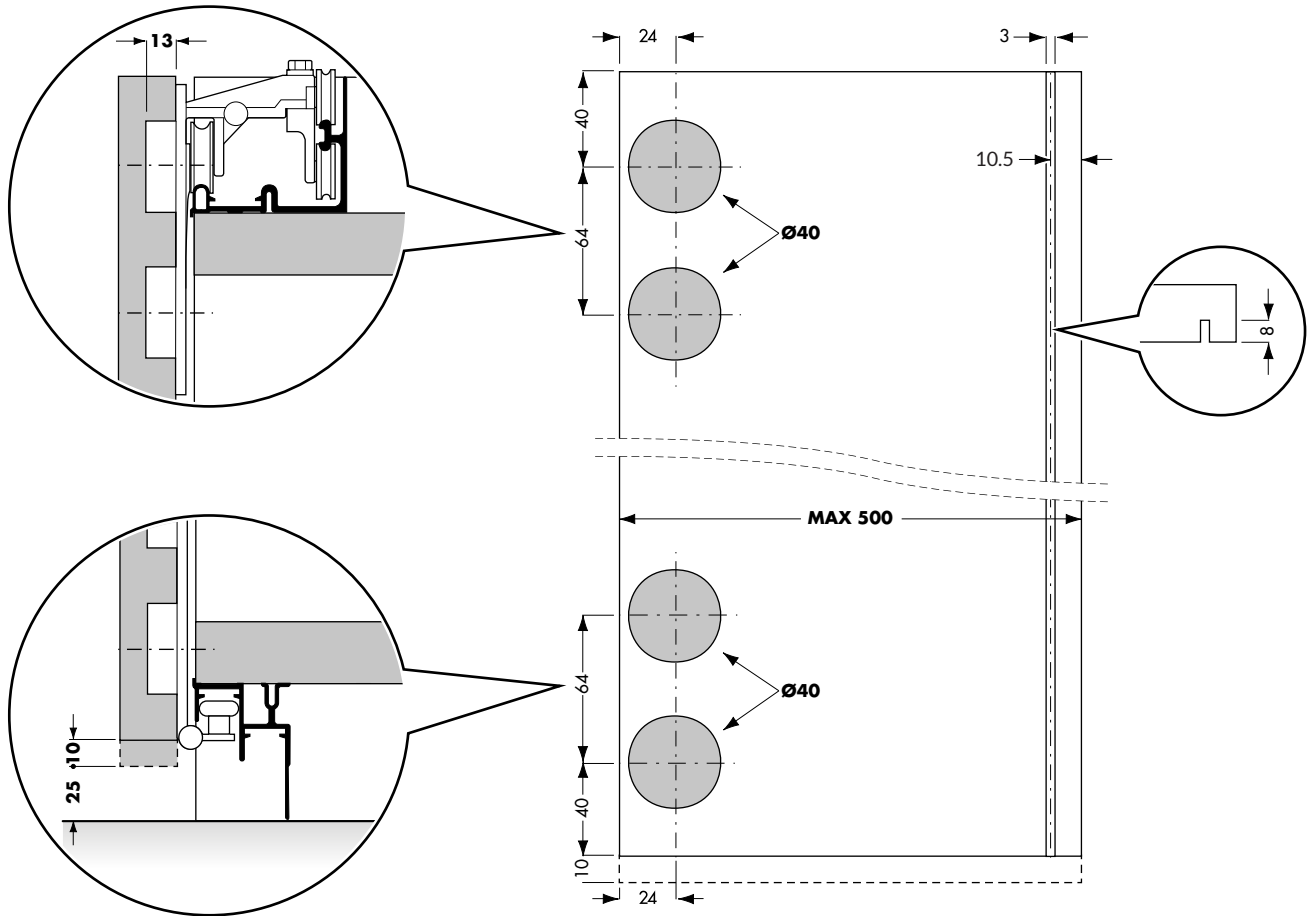
WA = Door width

WV = Internal Carcase width

S = Carcase overlay

Working requests for the doors

1a



Top Drilling and Routing:

- 2x 40mm cup holes
- 24mm in from edge
- 40mm down from top of door
- 64 mm apart centre to centre

Bottom Drilling and Routing:

- 2x 40mm cup holes
- 24mm in from edge
- 40mm up from bottom of door

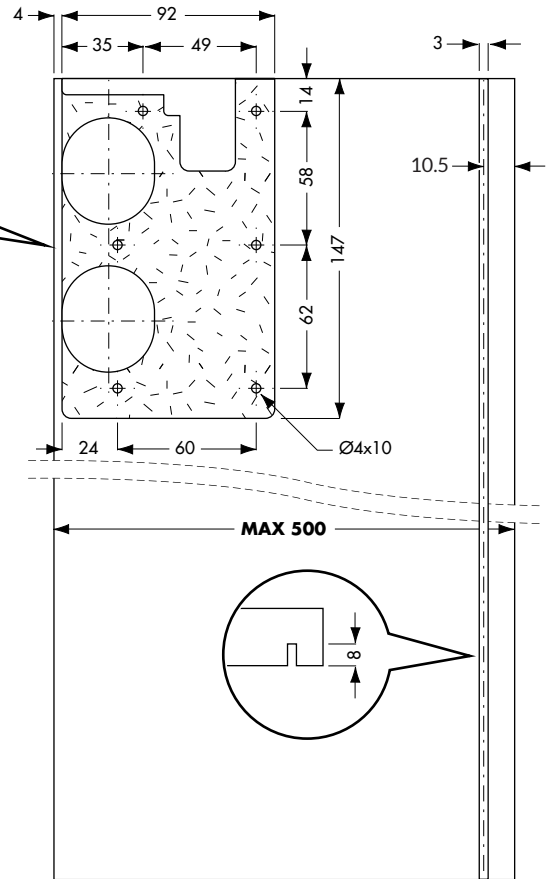
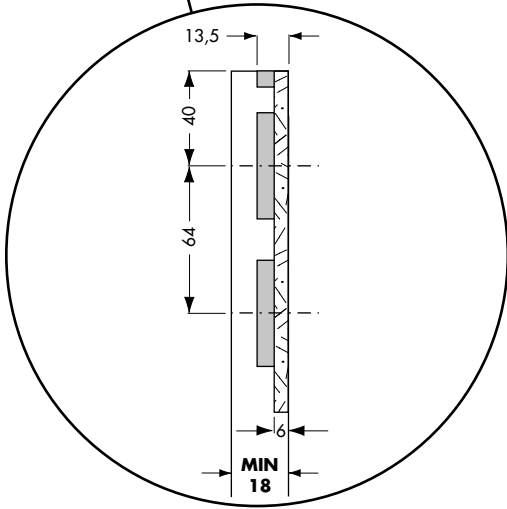
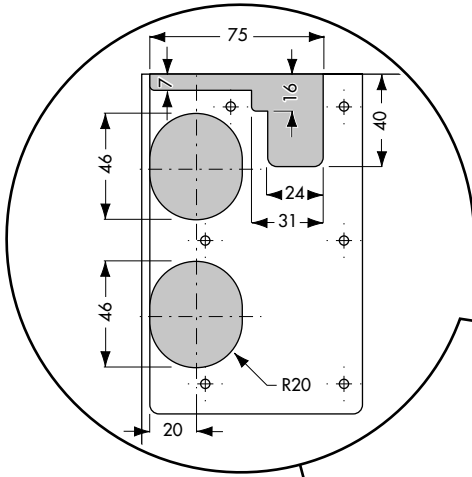
Optional 10mm addition to bring to 25mm gap from floor

- 64 mm apart centre to centre

Optional

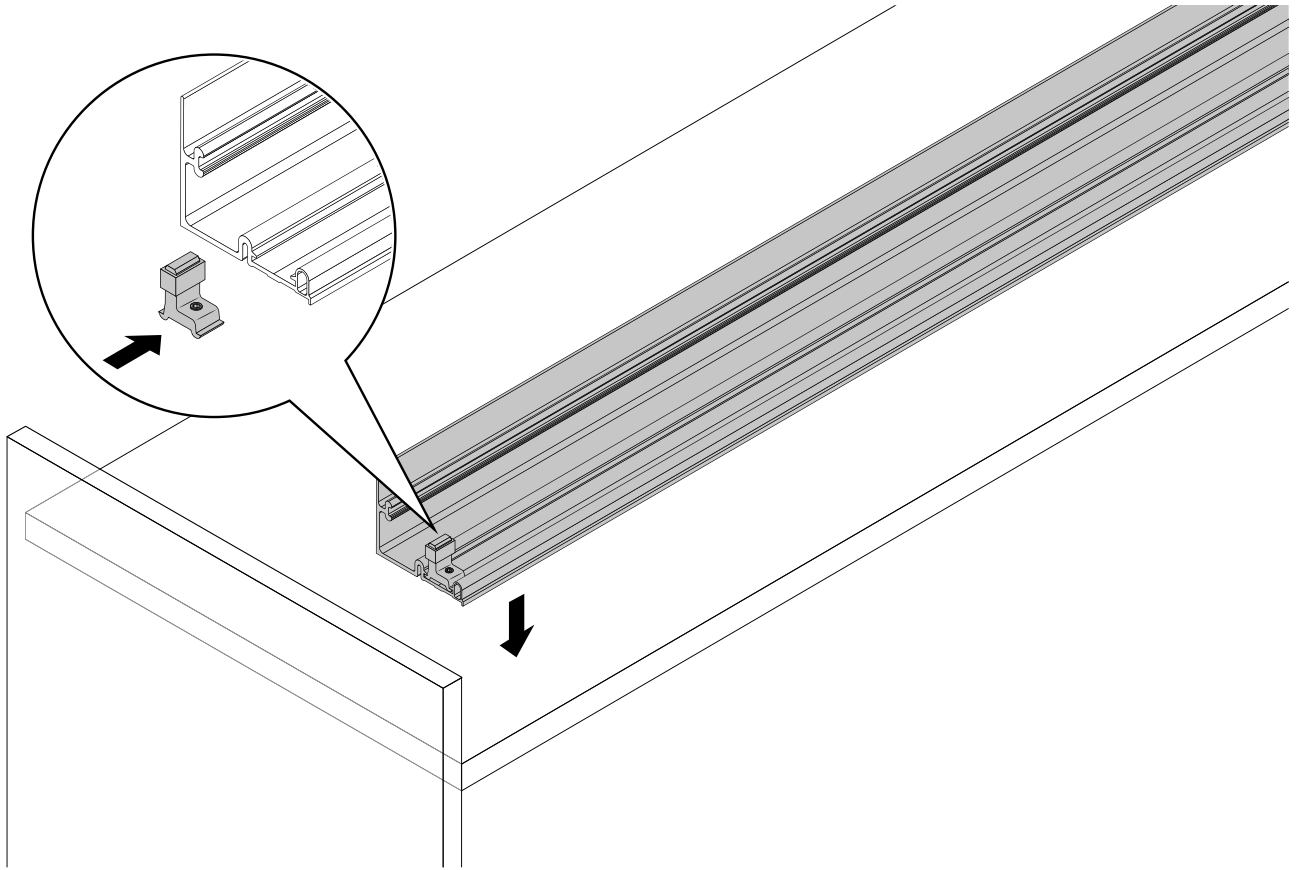
Vertical adjustment of the door

1b



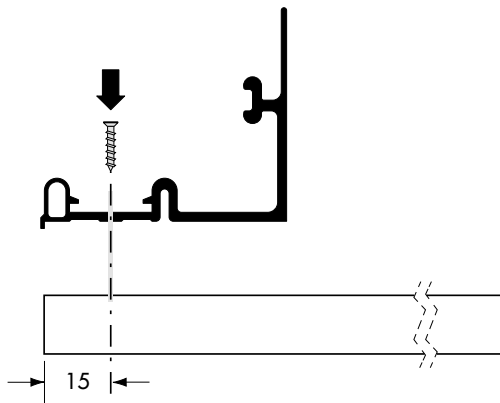
Assembly instructions

1



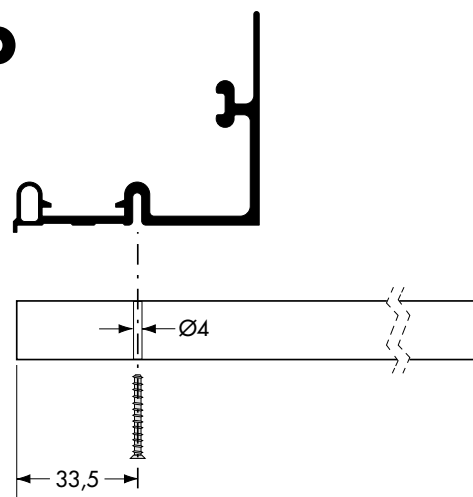
Fix the upper rail to the wardrobe according to your choice: 1a, 1b.

1a



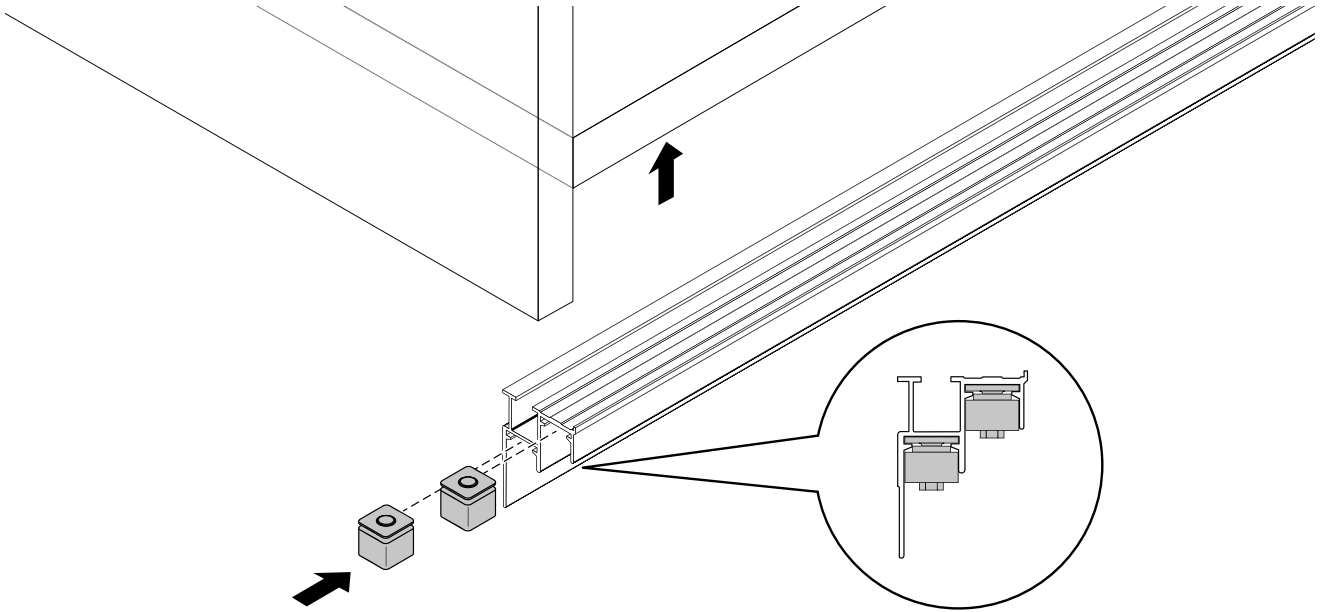
Fixing from outside the carcass
Note: Minimum 35mm from door to ceiling

1b



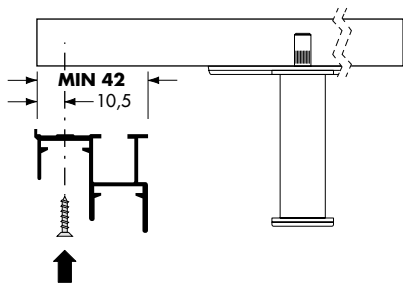
Fixing from inside the carcass
Note: Minimum 35mm from door to ceiling

2



Fix the lower rail to the wardrobe according to your choice: 2a or 2b

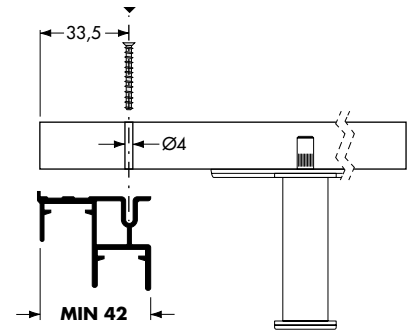
2a



Fixing from outside of the carcass

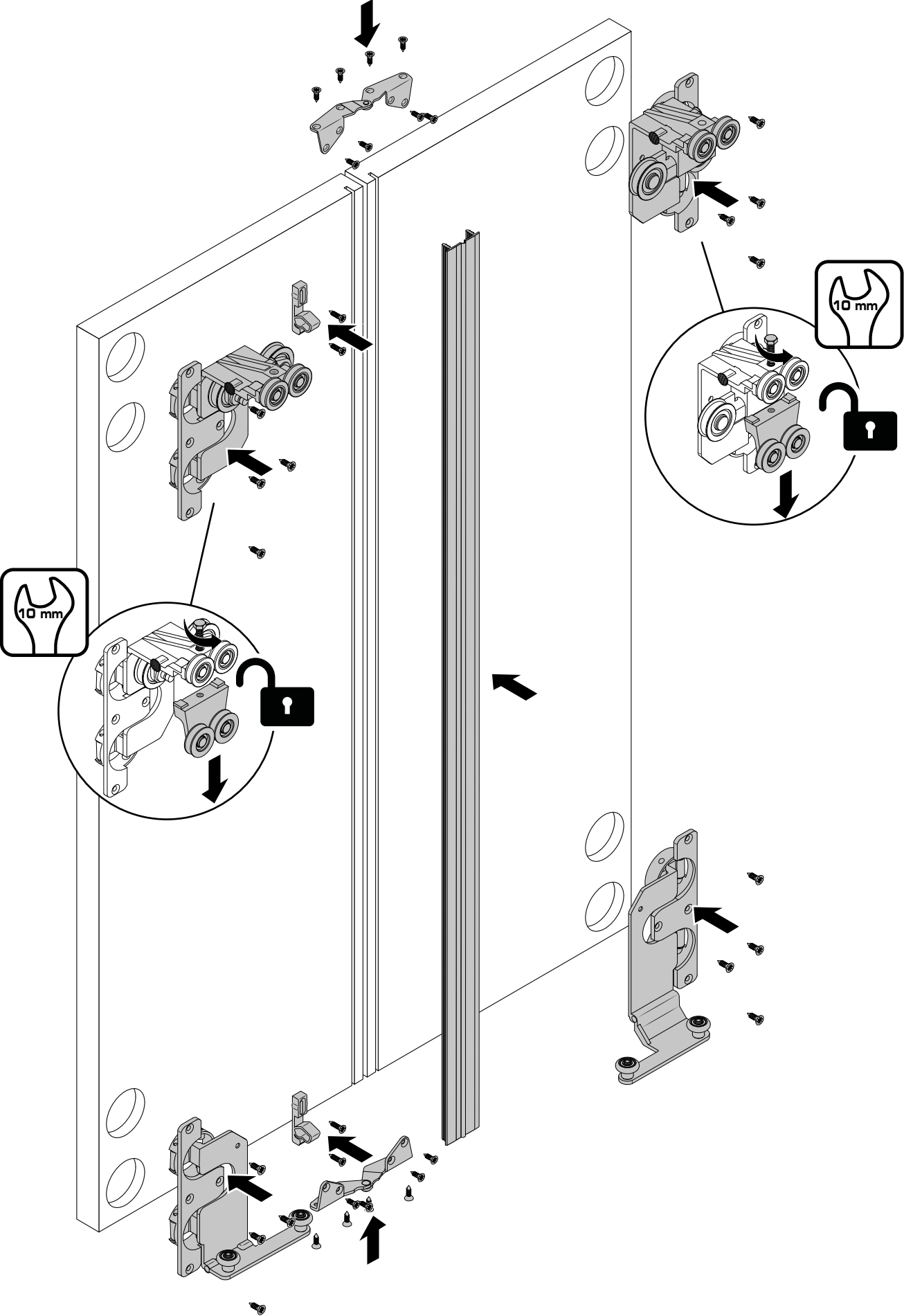
OR

2b



Fixing from inside of the carcass

3a



Optional

Vertical adjustment of the door

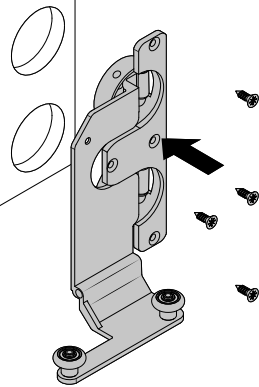
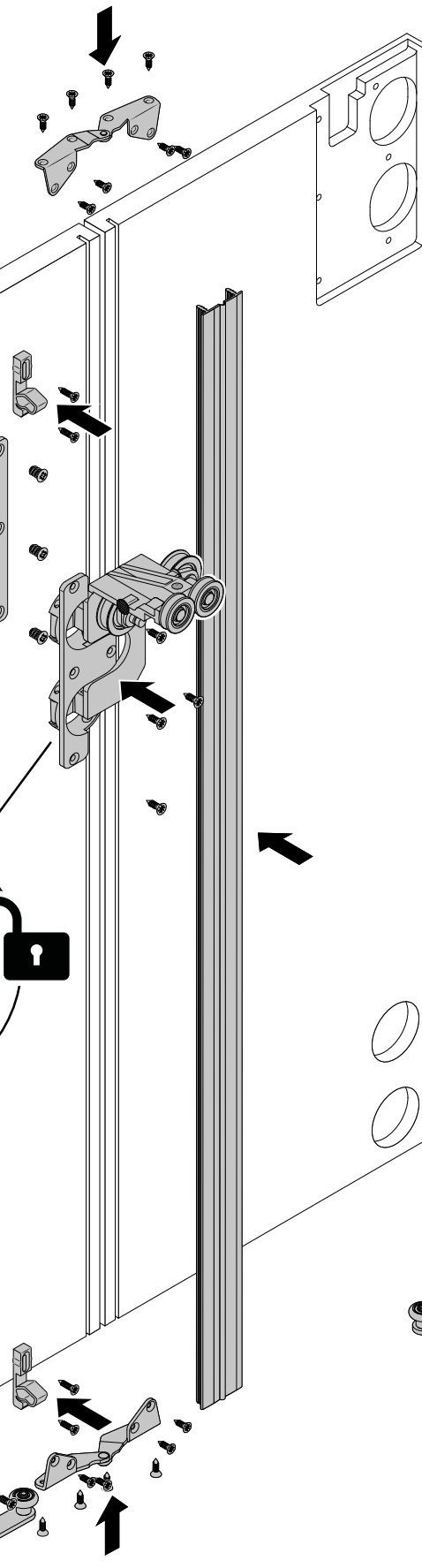
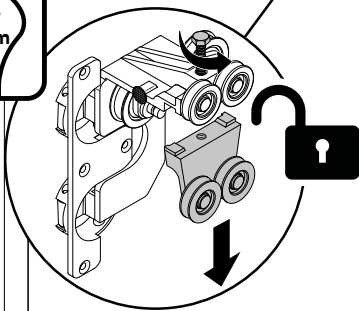
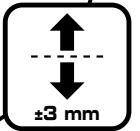
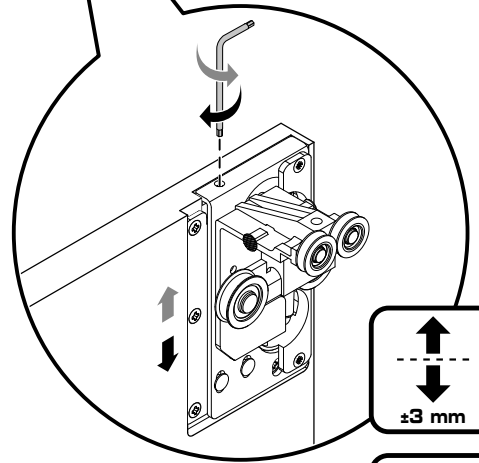
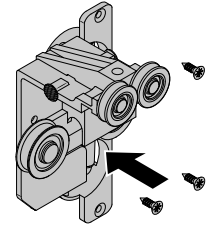
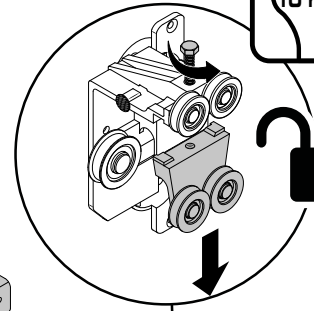
3b

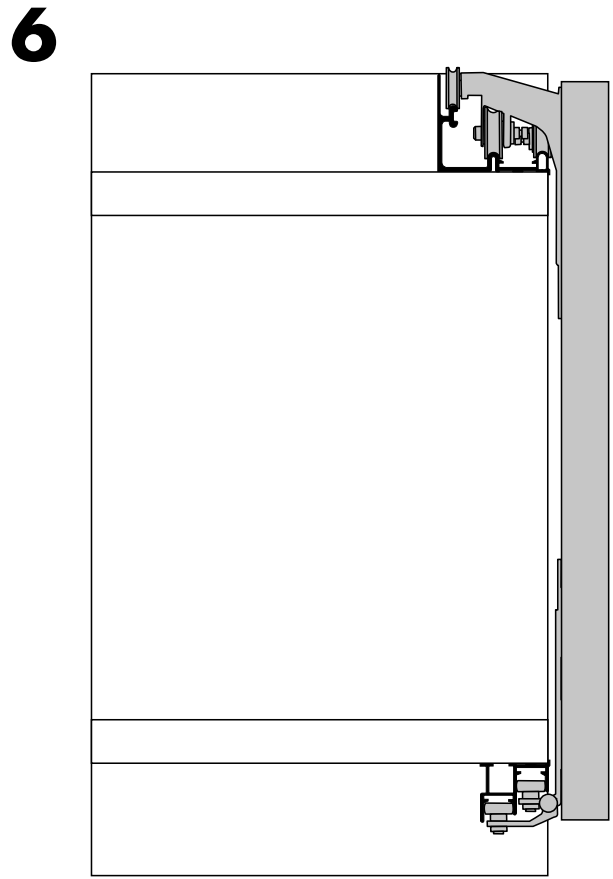
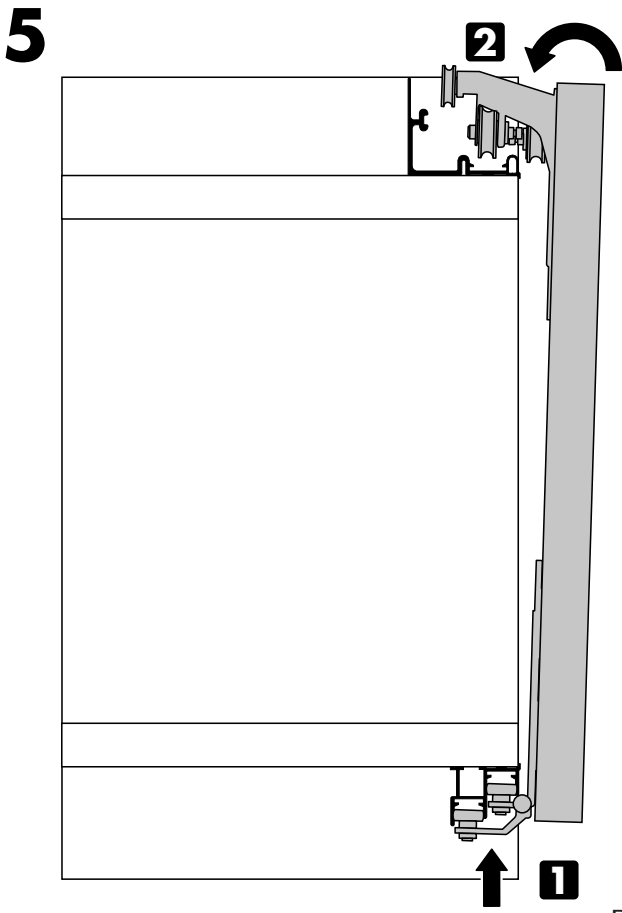


YES

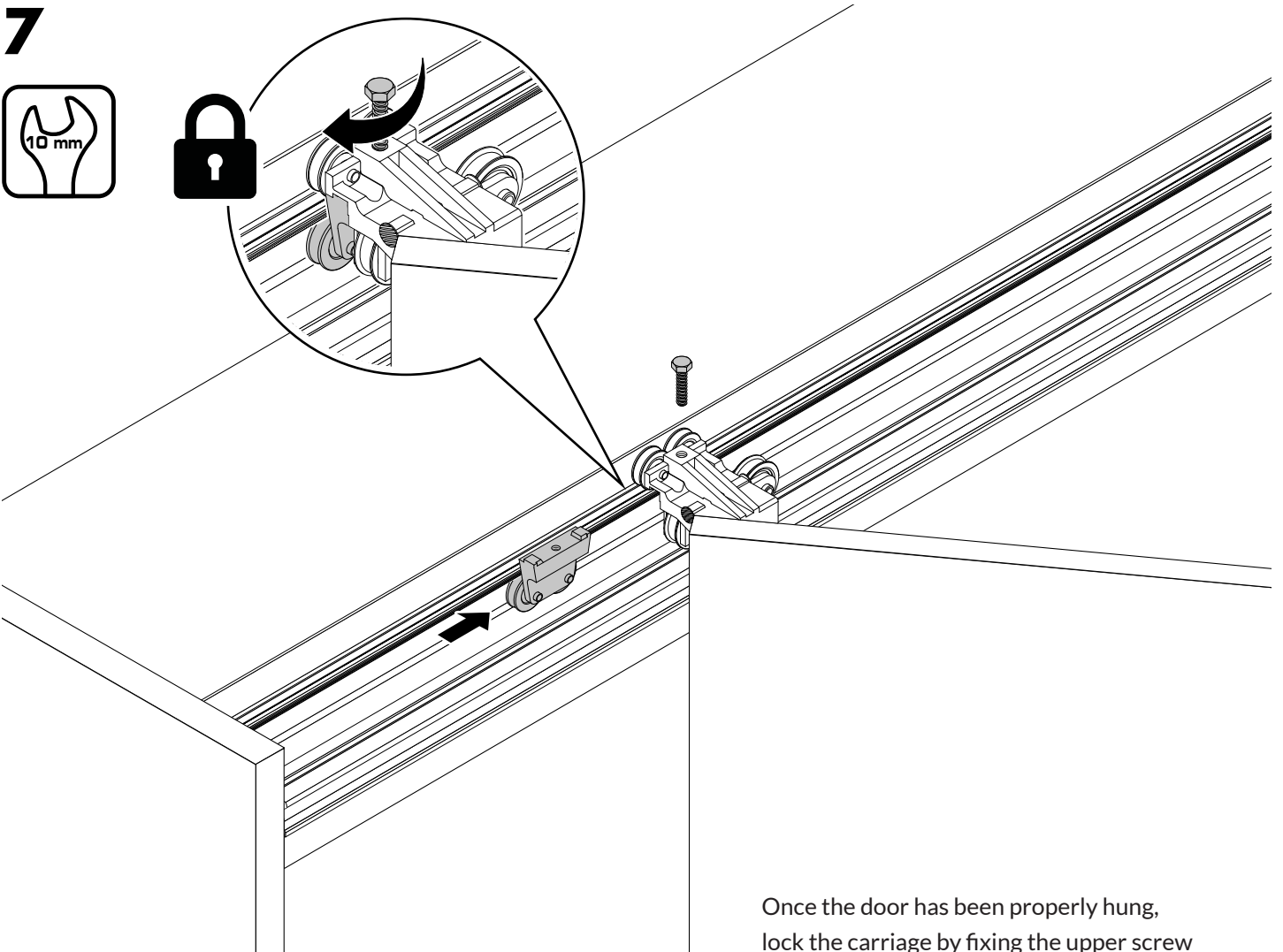


NO

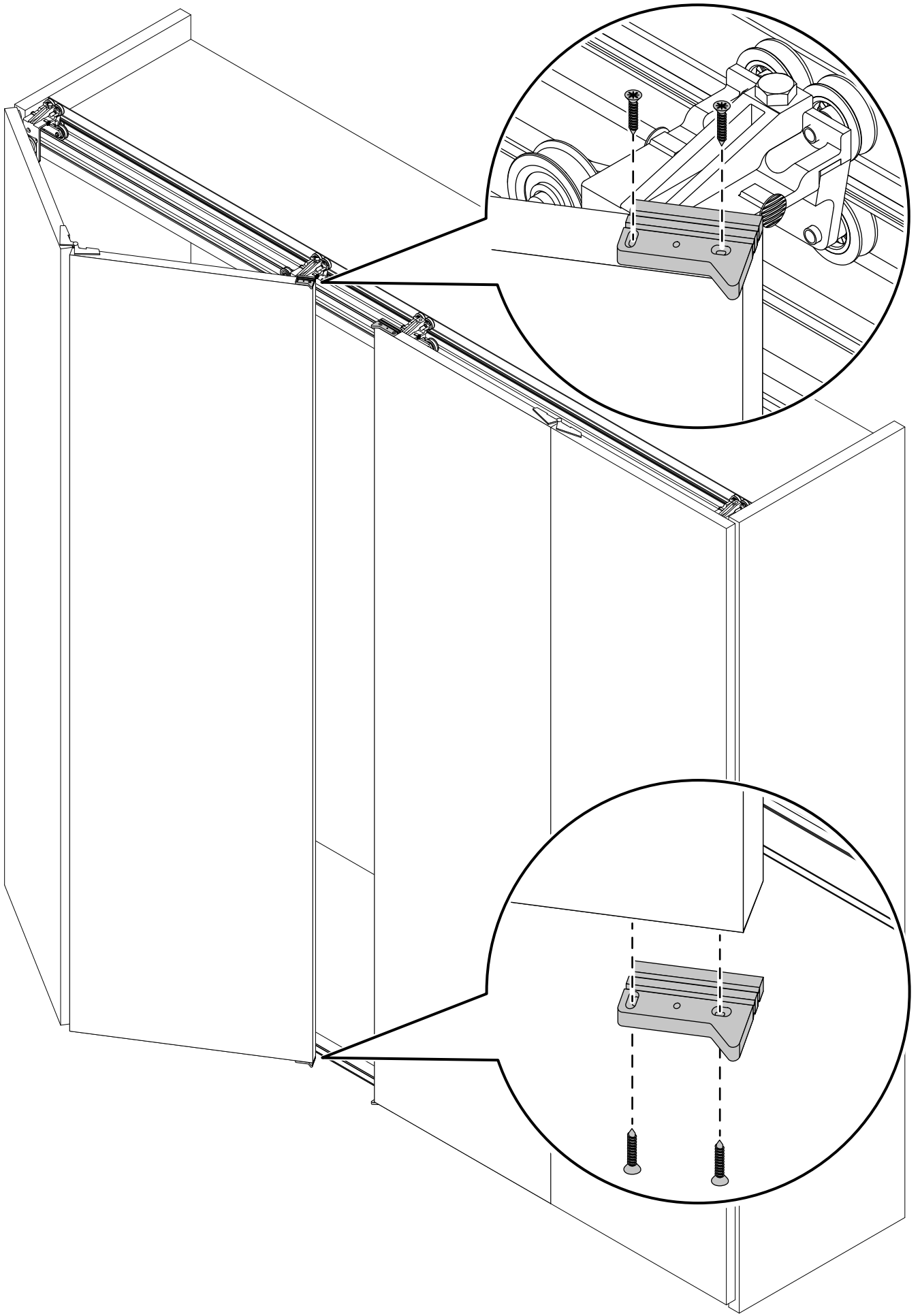




Doors must be open.
First you need to insert the lower slide and then the upper slide.



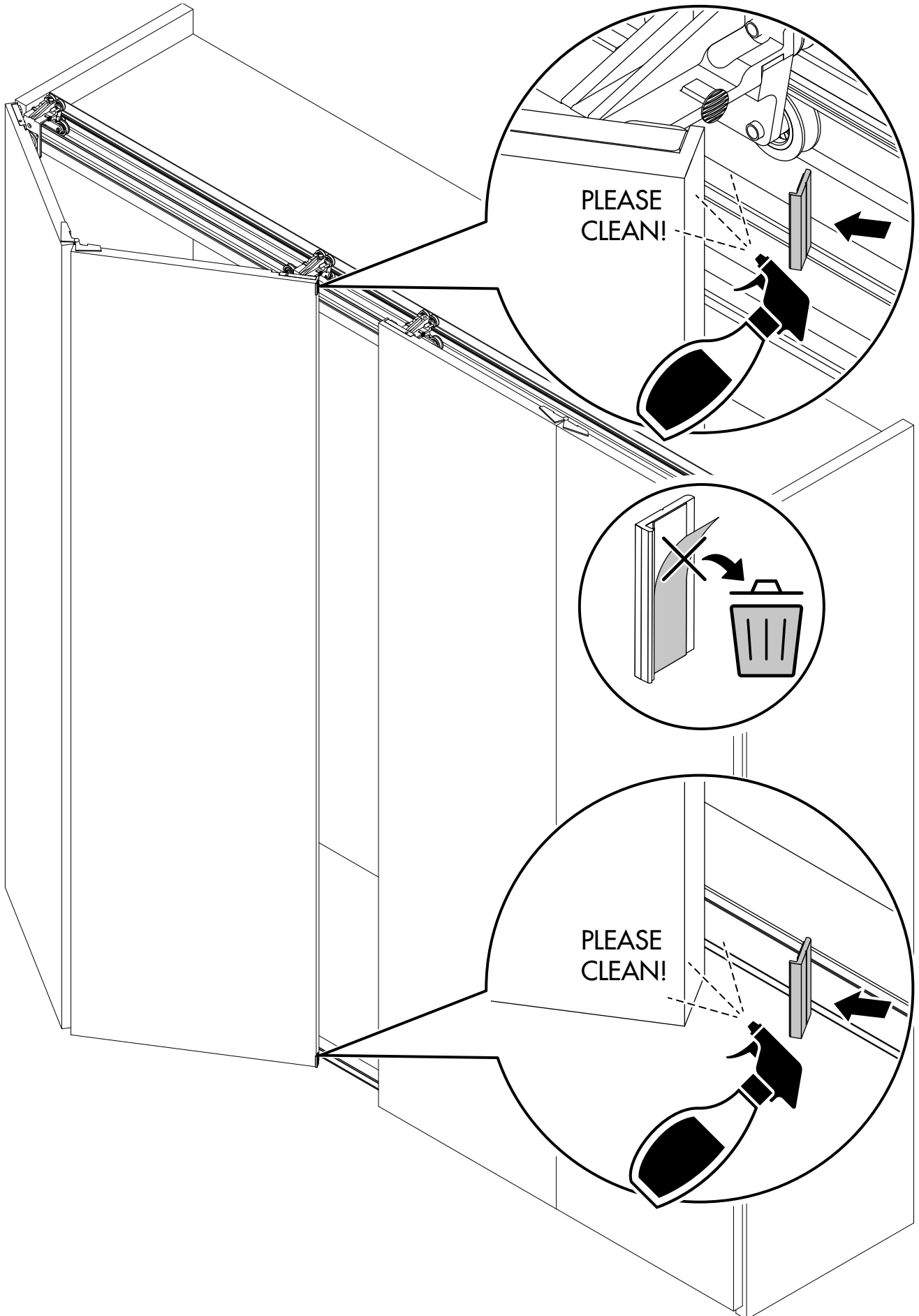
Once the door has been properly hung,
lock the carriage by fixing the upper screw




Optional

Vertical adjustment of the door


9



Icons



Fork wrench



Allen-key



Vertical adjustment