



REVEGO

Pocket systems for new space concepts

Ordering and planning information

www.blum.com

 **blum**[®]



reddot winner 2022



More and more people are merging their kitchen, dining, living and working space. This trend places high demands on modern living concepts. Pocket systems make it possible to quickly, easily and intuitively open up entire spaces when needed, and close them off again when not in use. This gives you totally new design possibilities for a variety of areas and applications.

With the new pocket systems product category, Blum has developed the solution for the optimum use of space – REVEGO is a unique pocket door system with fully integrated technology, all packaged inside a dedicated narrow cabinet: the pocket.

Contents

06	Overview of product range
10	Planning approach and product selection
12	REVEGO duo, double door
24	REVEGO uno, single door
34	REVEGO uno + duo, single door and double door combined
50	REVEGO duo + duo, two double doors combined
62	Calculations and assembly of the profiles
67	EXPANDO T – for thin fronts
68	Assembly devices
69	Testing and inspection regulations
70	moving ideas



Efficient manufacturing

Thanks to the unique full integration of the fittings in the pocket construction, REVEGO already comprises all the necessary components. You can easily pre-assemble pocket systems in your workshop and transport them to end users in a carefully packaged state. This makes installation on site easier and increases efficiency.



Experience full-size REVEGO. Download the AR application and get started:

www.blum.com/revarapp



REVEGO



Rapid on-site installation

Final assembly on site is simplicity itself: set up, align and mount the pockets; install the doors and track; make adjustments to the gap layout – and that's it! The 3-dimensional adjustment options are easily accessible and intuitive to use. And thanks to the integrated service interface, it is really simple to remove the fittings – even in installed furniture.



Easy planning

Standardised pocket widths of 100 mm for the single door REVEGO uno and 150 mm for the double door REVEGO duo permit unrestricted design possibilities around the pocket. Single and double door applications can be individually combined.



The ultimate in convenience

No need for handles thanks to TIP-ON motion technology; users can open cabinet doors with a single touch and slide them away completely into the pocket. To close off the space, the user simply presses the door to release it from the pocket and then presses it again to elegantly conceal the entire area.



REVEGO at a glance

- Faster and easier installation thanks to pre-assembly of fittings parts
- Unique full integration of fittings in pocket construction
- Easy planning thanks to predefined pocket widths
- Enhanced ease and mesmerising motion
- Individual design possibilities through the combination of REVEGO uno (1) and REVEGO duo (2)
- Different nominal lengths allow you to adapt applications to the installation situation
- Smooth opening and closing without a handle thanks to integrated TIP-ON motion technology
- Can be implemented with or without a plinth option
- Precise and easily accessible 3-dimensional adjustment options
- Full overlay fronts completely conceal the pocket when closed for a perfect gap layout
- Pocket systems can be used in all living areas
- Suitable for solutions with internal- or cabinet construction, or as a walk-in application such as dressing rooms, pantries, etc.
- Fittings can be easily removed (even from built-in furniture) thanks to an integrated service interface

Overview of applications and planning notes

REVEGO duo

Double door, right or left



Page 12

- Number of fronts: 2
- Installation width: 900 to 1500 mm
- Internal width within the application: up to 1350 mm
- Front width: 442 – 748 mm

REVEGO uno

Single door, right or left



Page 24

- Number of fronts: 1
- Installation width: 450 to 900 mm
- Internal width within the application: up to 800 mm
- Front width: 442 – 898 mm

REVEGO uno + duo

Single door and double door combined



Page 34

- Number of fronts: 3
- Installation width: 1350 to 2400 mm
- Internal width within the application: up to 2150 mm
- Front width: 442 – 748 mm and 442 – 898 mm

REVEGO duo + duo

Two double doors combined



Page 50

- Number of fronts: 4
- Installation width: 1800 to 3000 mm
- Internal width within the application: up to 2700 mm
- Front width: 442 – 748 mm



Watch assembly video:
www.blum.com/revmv

Easy product selection

Our Product Configurator makes it easy for you to choose your products and provides checked parts lists, planning information and CAD data.



www.blum.com/revpc

Our services at a glance

Our services support you throughout your entire process – from planning and design all the way through to manufacturing. Take advantage of our tried-and-tested and user-friendly services for your projects with REVEGO.



Concept, planning and product selection

Our Product Configurator will help you select the right products quickly and efficiently. It gives you checked parts lists and planning information, as well as accurate production drawings.



Design

You can export REVEGO projects in various CAD formats for use in your own design software. Together with selected partners, we have also established interfaces for the straightforward transfer of data and completion of your project in your design software.



Ordering

Simply transfer your parts lists from the Product Configurator directly to the web shop of selected distributors. Your REVEGO configurations are easily saved to "My projects", where you can then manage your customer projects.



Manufacturing

Speed up your production process with our Product Configurator. Transfer the planning results to MINIPRESS top with EASYSTICK (using BXF) or directly to your CNC machine. In order to transfer the data to your CNC machine, you'll receive specially prepared CAM data (CAM DXF or complete WOP drilling programs) in the Product Configurator. This makes production processes on the CNC machine even quicker and easier.

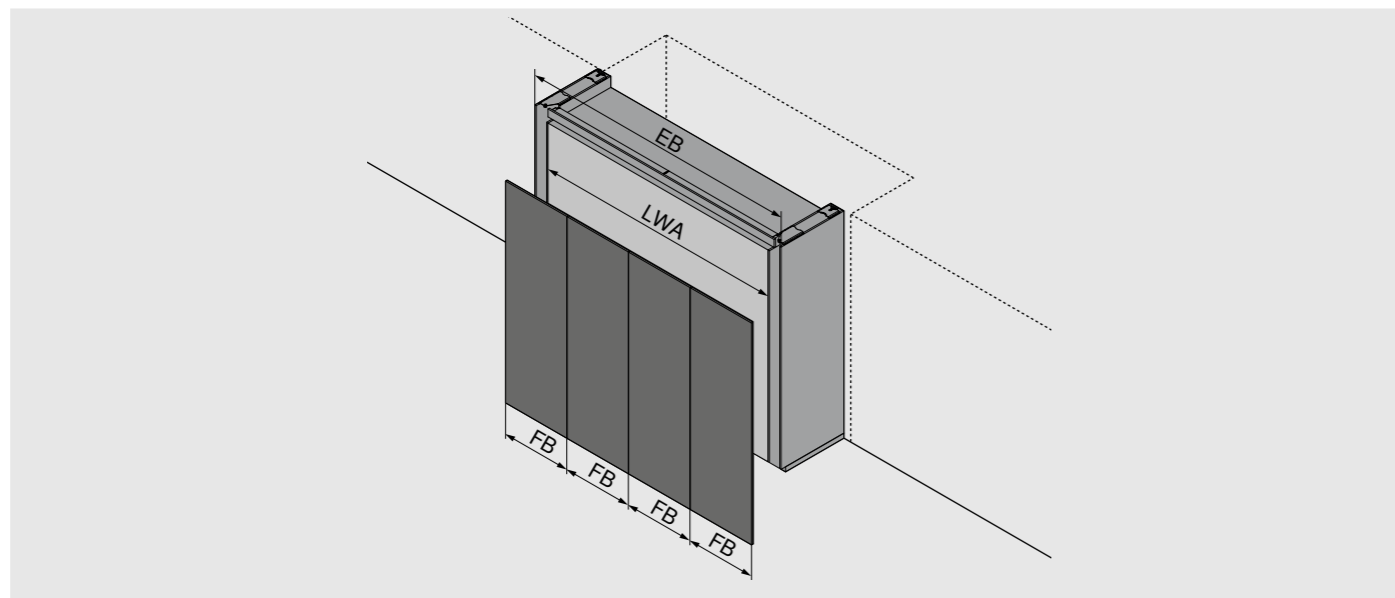


Find out more about our E-SERVICES:
www.blum.com/configurator



Register now free of charge to take advantage of E-SERVICES.
e-services.blum.com

Planning approach and product selection



EB	Installation width
LWA	Internal width within the application
FB	Front width

Niche installation

Planning approach from the outside moving inwards with fixed installation width for the entire application. The available space determines the installation width and is decisive for the possible number of fronts, front widths and thus for the primary application selection. The respective fittings parts and cabinet dimensions within the application can be calculated in the next step.

1. What recess width is available for the application? The recess width is the installation width for the application.
2. Determine the possible number of fronts and front width based on the installation width. This will determine the type of application.
3. The pocket dimensions, front protrusion and internal dimensions can now be defined on the planning pages of the respective application, and the further fittings selection can be made.

Free-standing installation

Planning approach starting from the inside moving out with focus on the cabinet width and construction inside the application. The cabinets to be concealed are the decisive factor for the possible number of fronts, front widths and thus for the primary application selection. The installation dimensions and the respective fittings parts are calculated in the next step.

1. What is the cabinet width that needs to be concealed? The cabinet width is the internal width within the application.
2. Determine the possible number of fronts and front width based on the internal cabinet width. This will determine the type of application and its installation width.
3. The pocket dimensions and front protrusion can now be defined on the planning pages of the respective application, and the further fittings selection can be made.

Number of fronts

Planning approach with a predefined number of fronts and fixed front widths. The number of fronts determines the primary application selection. The predefined front widths are crucial for the installation width of the entire application. The respective fittings parts and cabinet dimensions within the application can be calculated in the next step.

1. What number of fronts was selected? The number of fronts defines the type of application.
2. Desired front widths plus gaps determine the installation width.
3. The pocket dimensions, front protrusion and internal dimensions can now be defined on the planning pages of the respective application, and the further fittings selection can be made.

Planning approach and product selection

Functional area		
REVEGO uno	REVEGO duo	A minimum distance to the nearest element in front of the pocket must be kept free for safety reasons: front width + at least 300 mm
FB	Front width	
POT	Pocket depth	

Nominal length, front width, front protrusion and depth requirement		
	The minimum front protrusion results from the combination of nominal length, front width and the TIP-ON trigger path (AW) when using standard nominal lengths. By cutting the profiles to size, the front protrusion (FU) can be customised (min. FU = 7 mm).	
$FU = FB - NL + AW$		The depth requirement is the pocket depth (POT) and is determined by the nominal length + 100 mm, plus the pocket back.
AW	TIP-ON trigger path	
FB	Front width	
FU	Front protrusion	
NL	Nominal length	
NL	Nominal length	
POT	Pocket depth	
PORW	Pocket back	

- Note**
- The internal dimensions in the application (width x height x depth) determine the maximum space to be planned for the internal construction.
 - Design the widest front first for combined applications.
 - Certified durability of 40,000 opening and closing cycles.
 - The manual operating force is less than 70 N according to the durability test.
 - Drilling patterns, cut-to-size dimensions and detailed parts lists can be found in the Product Configurator.

- Assembly**
- You will need a CNC machine or MINIPRESS top with EASYSTICK from Blum to machine the wooden parts. Please note that both horizontal drillings and a track cut-out will be needed.
 - We recommend using the drilling template for REVEGO pocket connectors for the horizontal drillings.
 - See appendix for calculation and assembly information for cutting profiles to size.

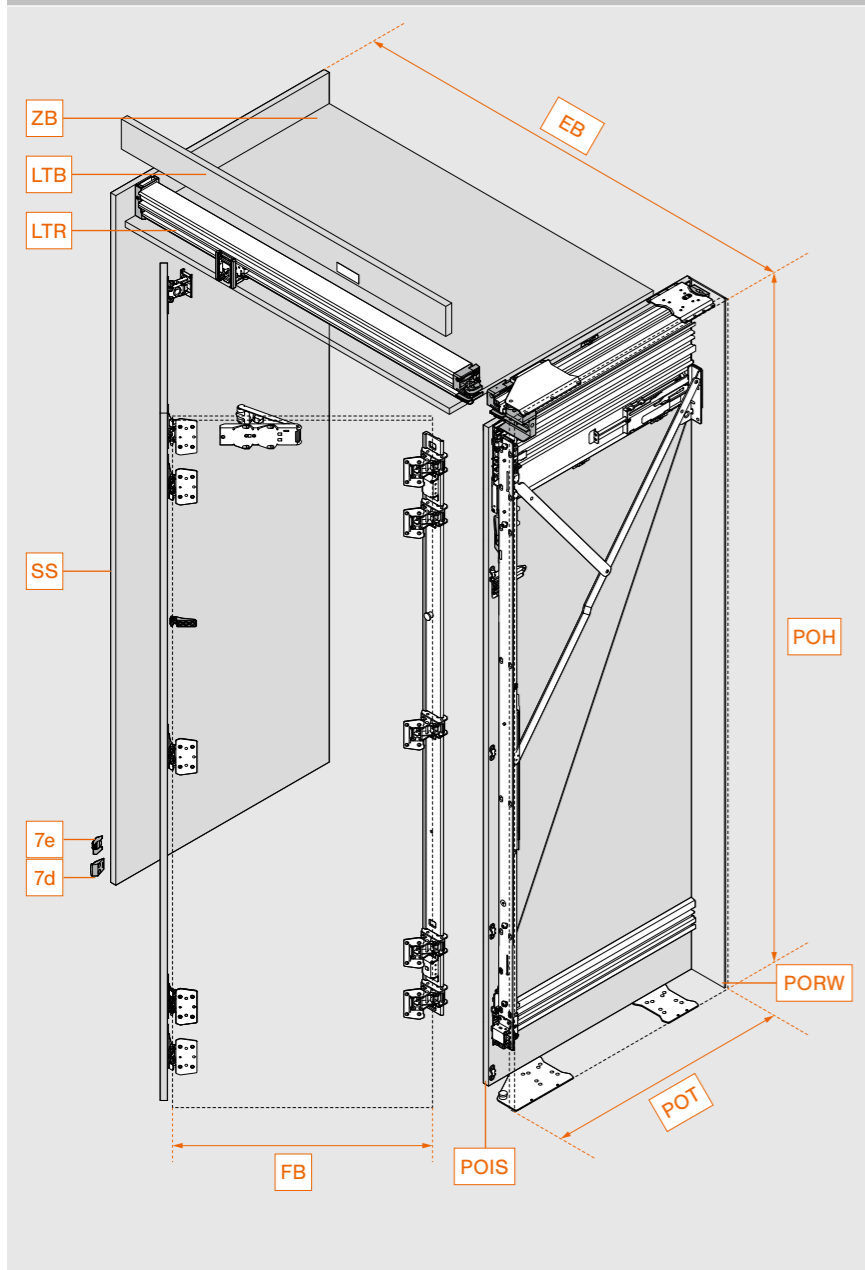


For more safety information, please go to:
www.blum.com/revsd



Installation position	Double door, right or left (mm)		
	Width	Height	Depth
Installation dimensions	900 – 1500	1820 – 3012	From 575
Internal dimensions within the application	Width up to 1350	Height up to 2884	Depth From 484
Pocket dimensions	Width 150	Height 1807 – 2999	Depth From 554
Front dimensions	Width 442 – 748	Height 1800 – 2980	Thickness 18 – 26
Front weight	35 kg per front		

Overview



EB	Installation width
FB	Front width
LTR	Track
LTB	Track cover panel
POH	Pocket height
POIS	Internal pocket side
PORW	Pocket back
POT	Pocket depth
SS	Optional partition side
ZB	Fixed shelf
7d	Door support on partition side
7e	Door support for decor panel/cabinet side

Fittings selection made easy

It is easy to work out the fittings and drilling positions you need using the Product Configurator. Scan the QR code, enter the webcode in the Product Configurator or click on the short URL. Don't have login information for E-SERVICES yet? Register here and get access free of charge.

Webcode **DQITIM**
Link www.blum.com/DQITIM

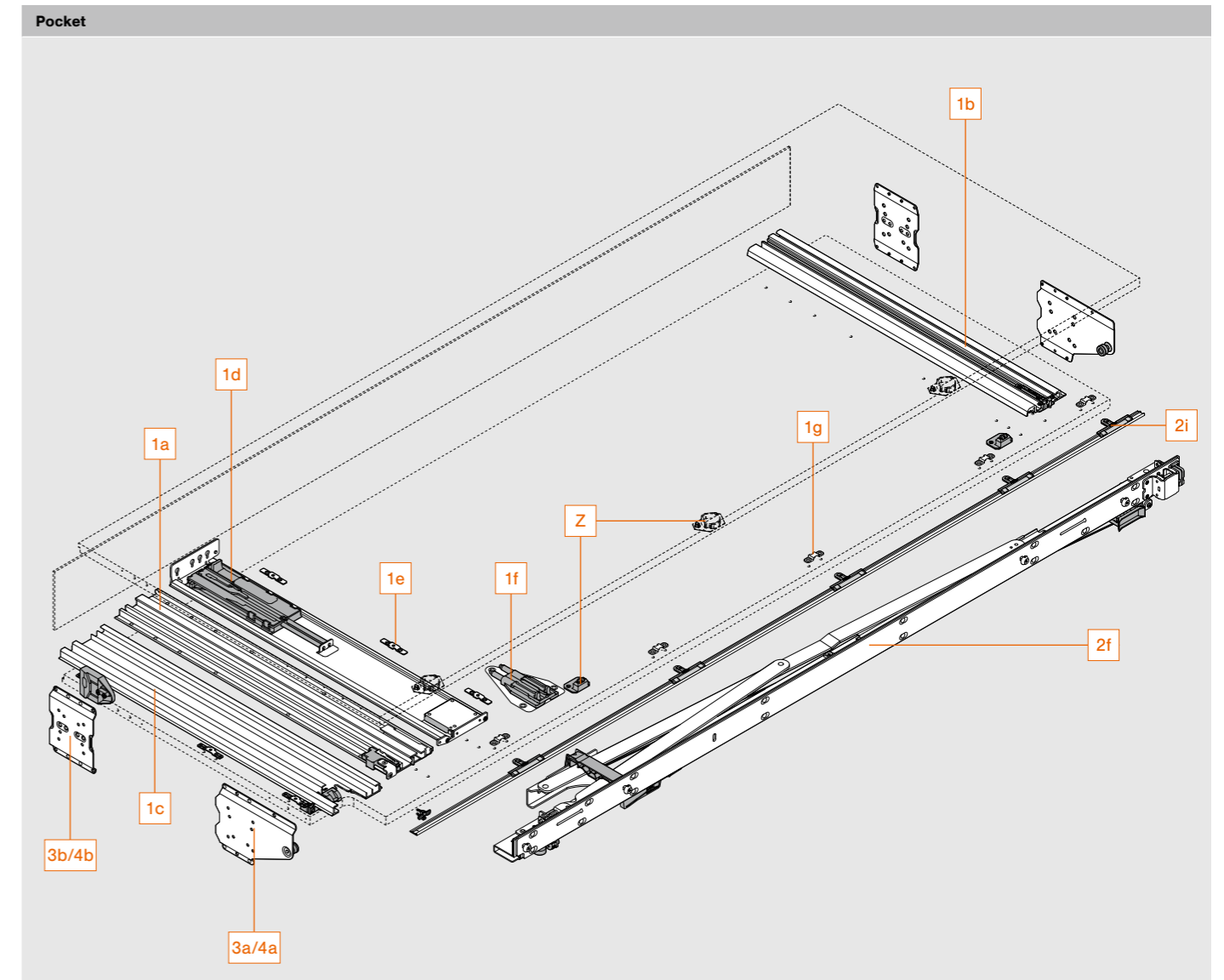


Product Configurator



Assembly and adjustment
www.blum.com/rev2md

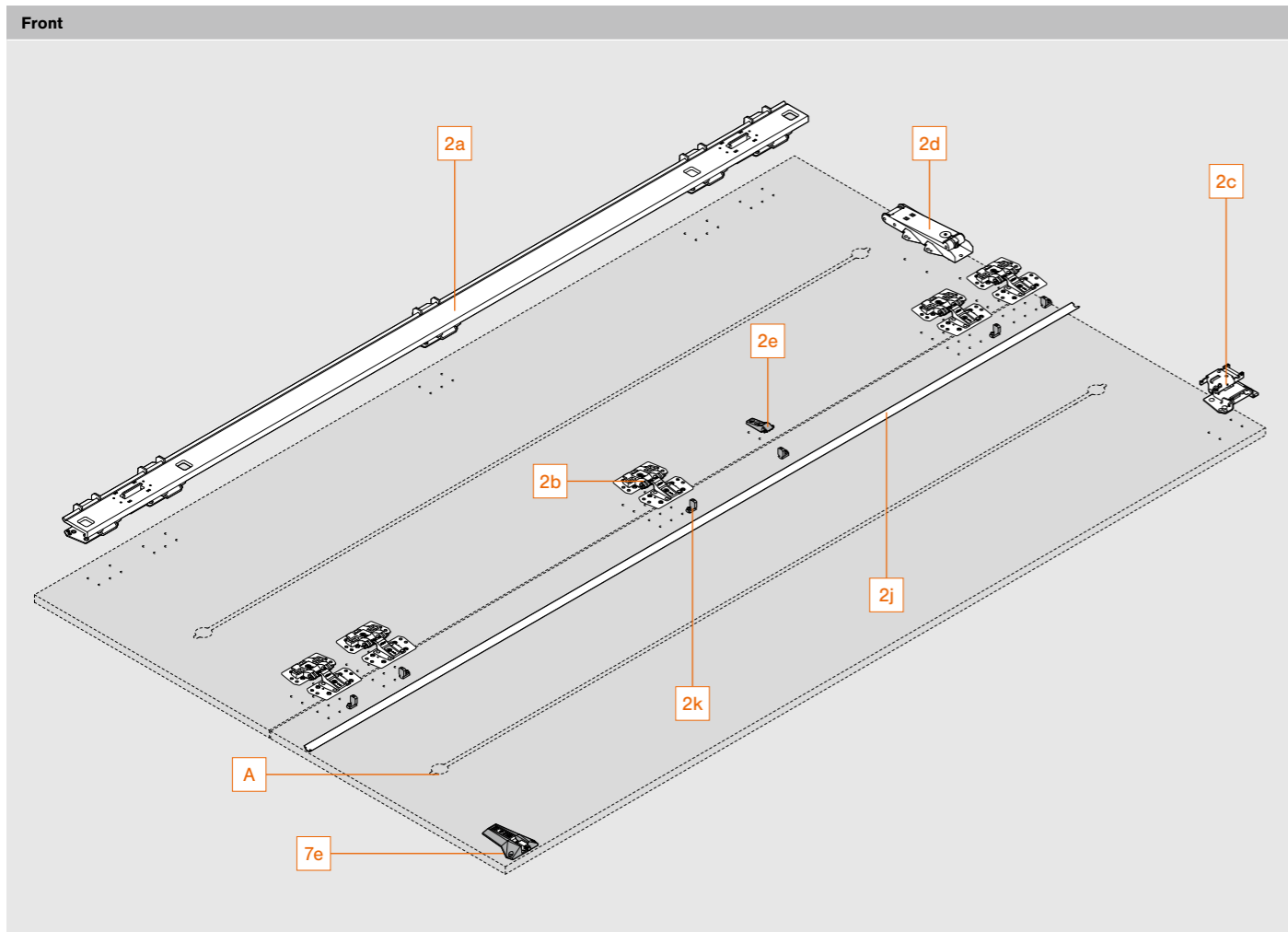
Component overview



Consisting of:

1a	Top pocket profile
1b	Bottom pocket profile
1c	Roller profile
1d	TIP-ON unit pocket
1e	Fixing clips
1f	BLUMOTION unit pocket
1g	Attachment for pocket cover strip
2f	Hinge bracket
2i	Pocket cover strip incl. mounting
3a/4a	Front pocket connector
3b/4b	Back pocket connector
Z	Scuff guard

Component overview

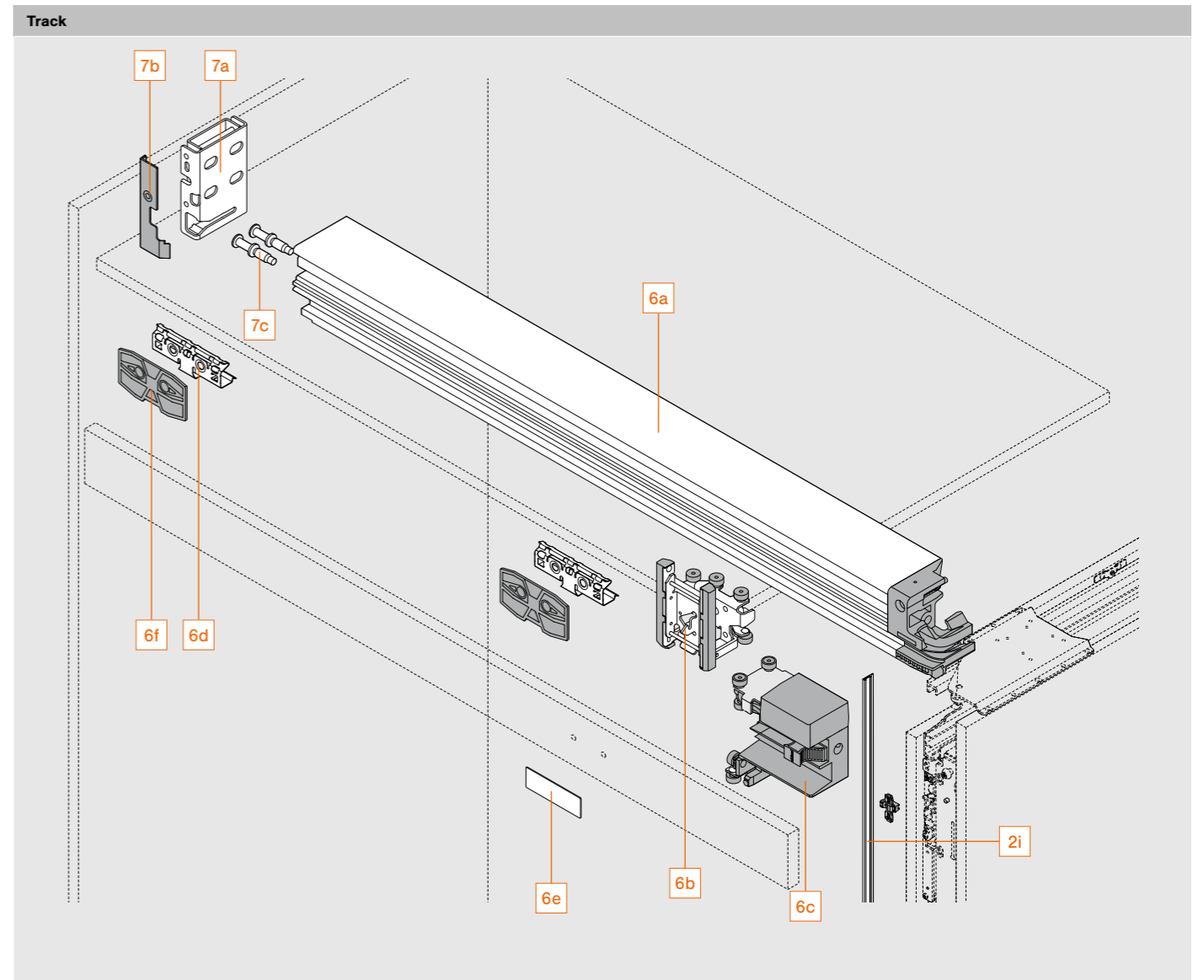


Consisting of:

2a	Hinge strip
2b	Double door hinge
2c	Roller carriage hinge
2d	TIP-ON unit door
2e	Support for door cover strip
2j	Door cover strip
2k	Mounting for door cover strip
7e	Door support for decor panel/cabinet side

A We recommend at least one alignment fitting per front with a maximum installation height of 20 mm. Ensure collision-free installation for folded pair of fronts.


Component overview



Consisting of:

2i	Pocket cover strip incl. mounting
6a	Track
6b	Roller carriage
6c	Roller carriage transporter
6d	Mounting for track cover panel
6e	Catch plate
6f	Spacer
7a	Track fixing
7b	Cover for track fixing
7c	Pin for track fixing


Ordering information

1 Pocket profile set with TIP-ON				
	Nominal length NL (mm)	Min. pocket depth POT* (mm)	Left	Right
	450	550	802P450D.L2	802P450D.R2
	525	625	802P525D.L2	802P525D.R2
	600	700	802P600D.L2	802P600D.R2
	675	775	802P675D.L2	802P675D.R2
	750	850	802P750D.L2	802P750D.R2

* Specification without pocket back. A back construction with a thickness of at least 3 mm is required. Pocket and roller profiles as well as TIP-ON unit pocket can be shortened to a custom nominal length.

Consisting of:

1a	1 x	Top pocket profile
1b	1 x	Bottom pocket profile
1c	1 x	Roller profile
1d	1 x	TIP-ON unit pocket
1e	6 x	Fixing clips
1f	1 x	BLUMOTION unit pocket
1g	5 x	Attachment for pocket cover strip


2 Hinge bracket set with TIP-ON			
	Pocket height (mm)	Left	Right
	1807 – 1956	802T1000.L2	802T1000.R2
	1957 – 2106	802T2000.L2	802T2000.R2
	2107 – 2256	802T3000.L2	802T3000.R2
	2257 – 2406	802T4000.L2	802T4000.R2
	2407 – 2556	802T5000.L2	802T5000.R2
	2557 – 2706	802T6000.L2	802T6000.R2
	2707 – 2856	802T7000.L2	802T7000.R2
	2857 – 2999	802T8000.L2	802T8000.R2

Door cover strips must be shortened to a specific length

Consisting of:

2a	1 x	Hinge strip
2b	5 x	Double door hinge
2c	1 x	Roller carriage hinge
2d	1 x	TIP-ON unit door
2e	1 x	Support for door cover strip
2f	1 x	Hinge bracket
2i	1 x	Pocket cover strip incl. 5 x mountings, black anodised
2j	1 x	Door cover strip, black anodised
2k	6 x	Mounting for door cover strip

Ordering information

Pocket connector set			
3 Application with plinth			
	Pocket side thickness (mm)	Colour	
	15 – 17	Black	802V560B
	18 – 19	Black	802V580B

Pocket connector top + bottom: POVH 10 mm for 0 – 6 mm gap

POVH Pocket connector height

Consisting of:

3a	2 x	Front pocket connector
3b	2 x	Back pocket connector

Pocket connector set				
4 Application without plinth				
	Pocket side thickness (mm)	Colour	Left	Right
	15 – 17	Black	802V660B.L1	802V660B.R1
	18 – 19	Black	802V680B.L1	802V680B.R1


Pocket connector top: POVH 10 mm for 0 – 6 mm gap

Pocket connector bottom: POVH 3 mm for gap from 7 – 13 mm

POVH Pocket connector height

Consisting of:

4a	2 x	Front pocket connector
4b	2 x	Back pocket connector


6 Track set				
	LWA double door (mm)	Colour	Left	Right
	1050	Black anodised	802L1050DL1	802L1050DR1
	1200	Black anodised	802L1200DL1	802L1200DR1
	1250	Black anodised	802L1250DL1	802L1250DR1
	1350	Black anodised	802L1350DL1	802L1350DR1

Track can be shortened to any length.

LWA Internal width within the application

Consisting of:




6a	1 x	Track
6b	1 x	Roller carriage
6c	1 x	Roller carriage transporter
6d	2 x	Mounting for track cover panels
6e	1 x	Catch plate, black
6f	2 x	Spacer

7 Assembly set for one double door			
	Colour	Left	Right
	Black	802M0002.L2	802M0002.R2

Consisting of:

7a	1 x	Track fixing
7b	1 x	Cover for track fixing
7c	2 x	Pin for track fixing
7d	1 x	Door support on partition side (can be selected depending on installation situation)
7e	1 x	Door support for decor panel/cabinet side incl. attachment (can be selected depending on installation situation)

Ordering information

Z	Accessories	
Scuff guard		
	For front thicknesses starting from 23 mm	802ZA00S
	For front thicknesses less than 23 mm, the scuff guard can be used as additional front protection	
Consisting of:		
3 x	External pocket side scuff guard	
2 x	Internal pocket side scuff guard	
Screws		
	6 x 14.5 mm system screws, nickel plated	661.1450.HG
EXPANDO T – for thin fronts		
	EXPANDO T – single	70T4532T
EXPANDO T suitable for thin fronts – see page 67		
For front thicknesses less than 18 mm, we recommend a trial application		
Screws are not included in the scope of delivery		

Planning

Installation width/internal width within the application	EB	Installation width
Without partition side: $EB = LWA + POB (150 \text{ mm})$	ET	Installation depth
With partition side: $EB = LWA + POB (150 \text{ mm}) + SS$	Fsl	Gap left
Front width/front protrusion	Fsr	Gap right
$FB = (EB - Fsl - Fsm - Fsr) : 2$ (fronts)	Fsm	Centre gap (between the fronts)
$Fsl/Fsr = 1.0 - 4.0 \text{ mm}$; $Fsm = 2.0 - 8.0 \text{ mm}$	FB	Front width
$Max. NL = FB + 8 \text{ mm}$	FD	Front thickness
$FU = FB - NL + 15 \text{ mm}$	FS	Front gap
(min. $FU = 7 \text{ mm}$)	FU	Front protrusion
Installation depth/pocket depth	LWA	Internal width within the application
$ET = POT + FS (2 \text{ mm}) + FD$	NL	Nominal length
$FD = 18 - 26 \text{ mm}$	POB	Pocket width
$Min. POT = NL + POTV (\geq 100 \text{ mm}) + PORW (\geq 4 \text{ mm})$	POT	Pocket depth
$POSD = 15 - 19 \text{ mm}$	PORS	Pocket back cut
	PORW	Pocket back
	POSD	Pocket side thickness
	POTV	Pocket depth loss
	SS	Partition side (optional)

- By cutting the profiles to size, the front protrusion (FU) can be customised.
- To ensure optimum functionality, the fronts are slightly tilted inside the pocket.
- The internal width within the application determines the maximum width to be planned for the internal construction.
- With front thicknesses (FD) of more than 23 mm, the side gap (pocket side), the outside front radius and the inner radius of the external pocket side must be at least 3 mm.
- For front thicknesses (FD) less than 18 mm (possible depending on material/stability), we recommend a trial application.

Planning

Installation height, front height

Application with plinth

$FH = POH - Fo - Fu$
 $EH \leq POH + POVH$ top and bottom
 $POH = FH + Fo + Fu$
 POVH 10 mm: gap 0 – 6 mm

- Note tilt angle when erecting!
- Minimum distance from the front bottom edge to the floor 10 mm, to the next element above and below 6 mm
- Minimum plinth height 80 mm

EH	Installation height
Fo	Top gap
Fu	Bottom gap
FH	Front height
POH	Pocket height
POVH	Pocket connector height

Installation height, front height

Application without plinth

$FH = POH - Fo - Fu$
 $EH \leq POH + POVH$ top and bottom
 $POH = FH + Fo + Fu$
 POVH top 10 mm: gap 0 – 6 mm
 POVH bottom 3 mm: gap from 7 – 13 mm

- Note tilt angle when erecting!
- Minimum distance from the front bottom edge to the floor 10 mm, to the next element above and below 6 mm

EH	Installation height
Fo	Top gap
Fu	Bottom gap
FH	Front height
POH	Pocket height
POVH	Pocket connector height

Application with set-back plinth

Additional rear pocket connector

Planning

Door support on partition side

- Assembly height of the door support ideally as far down as possible, however up to a maximum height of 1000 mm from the front bottom edge
- Ensure collision-free installation

FS	Front gap
SS	Partition side
7d	Door support on partition side

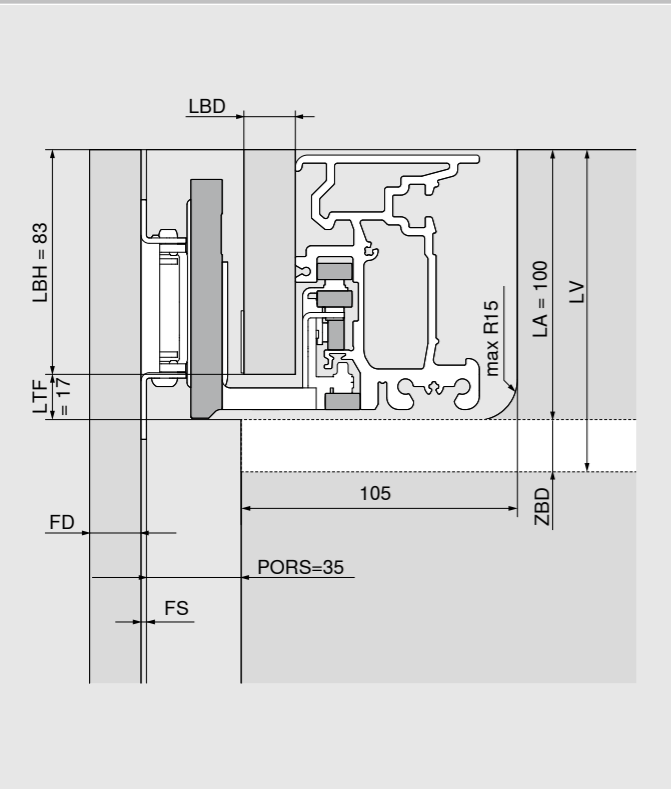
Door support for decor panel/cabinet side

- Assembly height AS: 64 mm + Fu from the decor panel/cabinet bottom edge
- Assembly height front: 64 mm from the front bottom edge
- Ensure collision-free installation

AS	Decor panel/cabinet side
Fu	Bottom gap
7e	Door support for decor panel/cabinet side

Planning

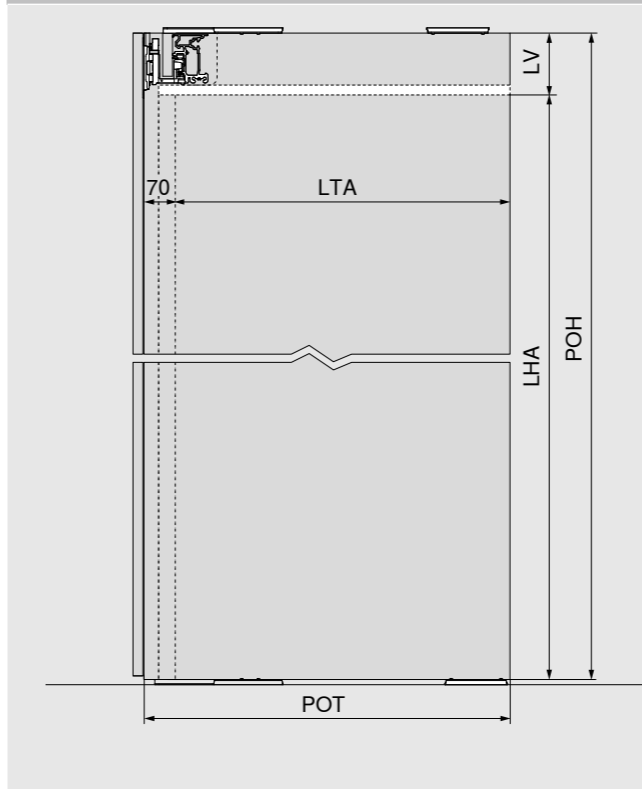
Track installation dimension



LBH = 83 mm
LBH = 83 mm
LBD = 15 - 19 mm (≤ 17 mm the spacer must be used)
LTF = 17 mm
LA = 100 mm
LV = LA + ZBD (≥ 15 mm)
<ul style="list-style-type: none"> - We recommend using a cross member to stabilise the fixed shelf. Minimum distance to front edge of internal pocket side = 170 mm - A solid connection between the fixed shelf and the pocket with connector fittings is recommended for an attractive gap layout - No mounting of add-on parts directly on the track
FD Front thickness
LA Track cut-out
LV Track installation
LBD Track cover panel thickness
LBH Track cover panel height
LTF Track gap
PORS Pocket back cut
ZBD Fixed shelf thickness

Planning

Internal height and internal depth within the application

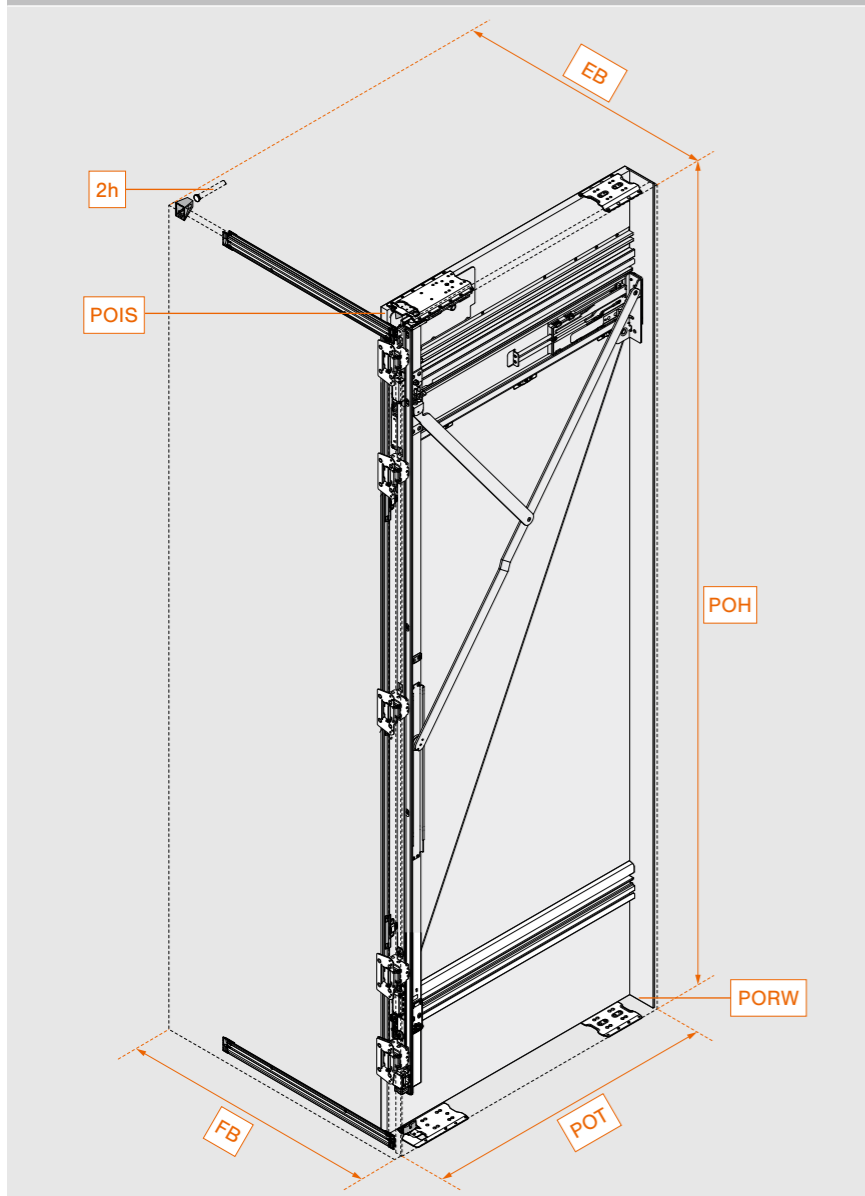


LHA = POH - LV
LTA = POT - 70 mm
<ul style="list-style-type: none"> - The internal height/internal depth within the application determines the maximum height/depth to be planned for the internal construction
LHA Internal height within the application
LTA Internal depth within the application
LV Track installation
POH Pocket height
POT Pocket depth



Installation position	Single door, right or left (mm)		
	Width	Height	Depth
Installation dimensions	450 – 900	1820 – 3012	From 575
Internal dimensions within the application	Width up to 800	Height up to 2999	Depth From 519
Pocket dimensions	Width 100	Height 1807 – 2999	Depth From 554
Front dimensions	Width 442 – 898	Height 1800 – 2980	Thickness 18 – 26
Front weight	35 kg per front		

Overview



EB	Installation width
FB	Front width
POH	Pocket height
POIS	Internal pocket side
PORW	Pocket back
POT	Pocket depth
2h	TIP-ON incl. catch plate

Fittings selection made easy

It is easy to work out the fittings and drilling positions you need using the Product Configurator. Scan the QR code, enter the webcode in the Product Configurator or click on the short URL. Don't have login information for E-SERVICES yet? Register here and get access free of charge.

Web code **DQIU7Y**
Link www.blum.com/DQIU7Y

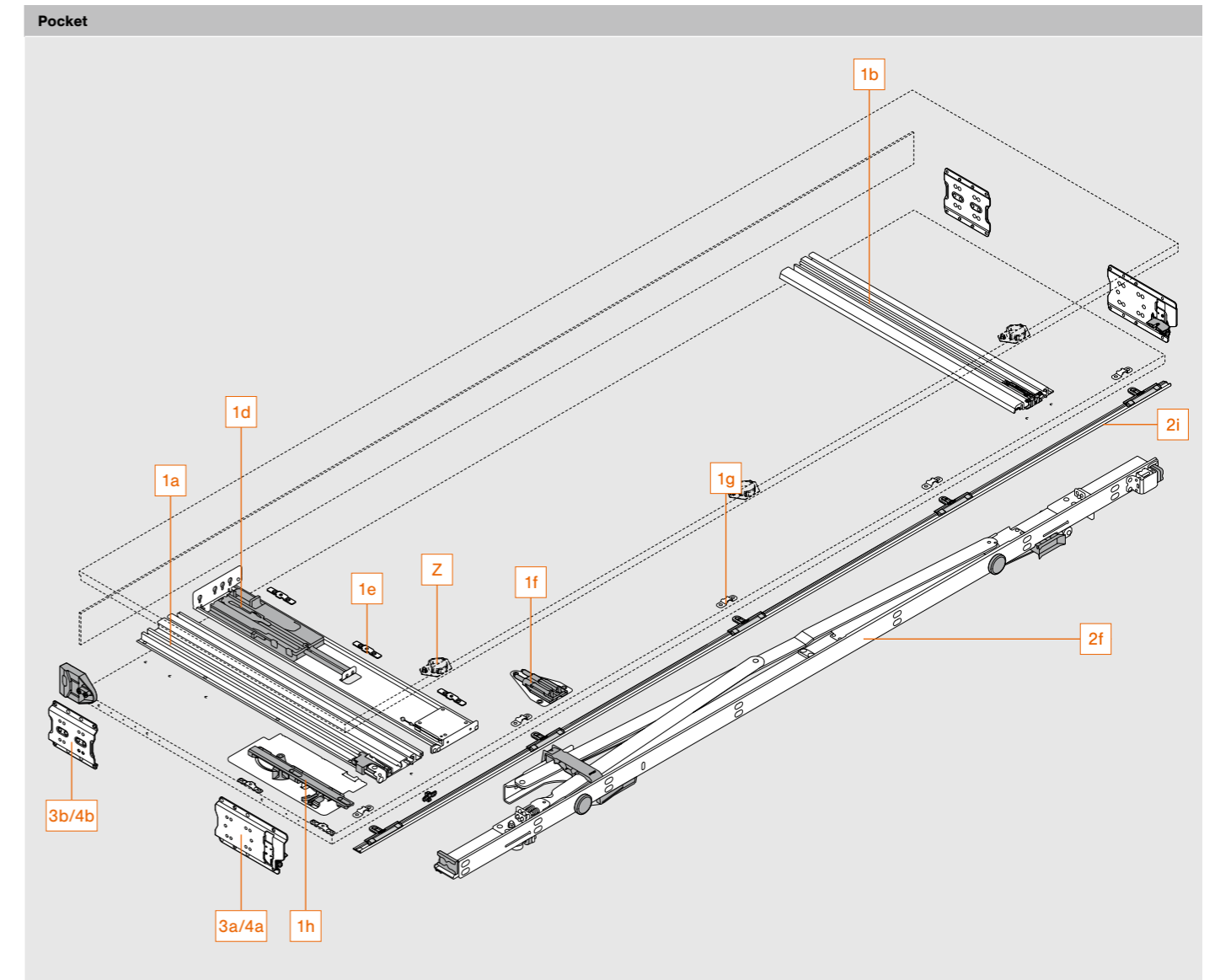


Product Configurator



Assembly and adjustment
www.blum.com/rev1md

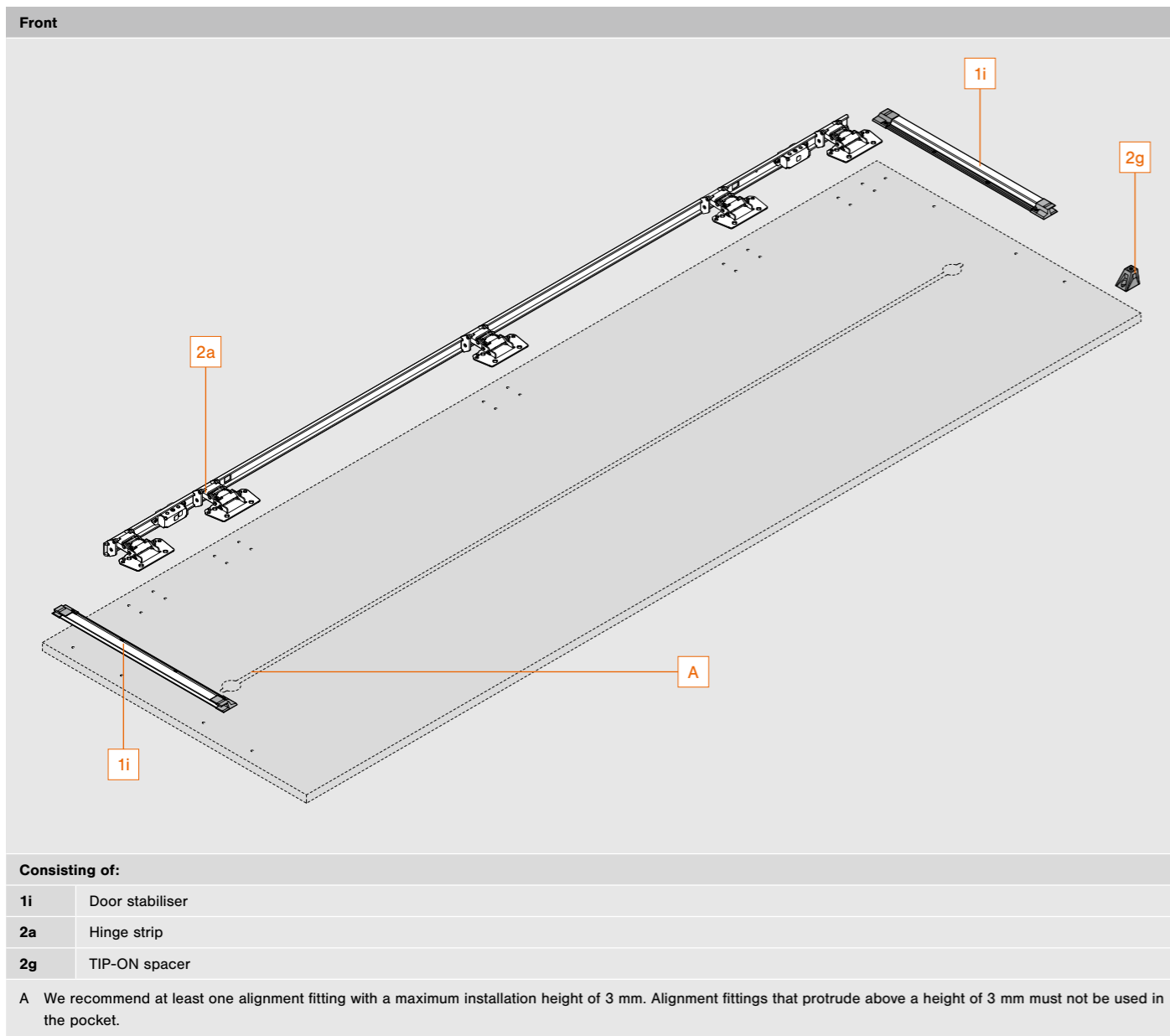
Component overview



Consisting of:

1a	Top pocket profile
1b	Bottom pocket profile
1d	TIP-ON unit pocket
1e	Fixing clips
1f	BLUMOTION unit pocket
1g	Attachment for pocket cover strip
1h	BLUMATIC unit
2f	Hinge bracket
2i	Pocket cover strip incl. mounting
3a/4a	Front pocket connector
3b/4b	Back pocket connector
Z	Scuff guard

Component overview



Consisting of:

1i	Door stabiliser
2a	Hinge strip
2g	TIP-ON spacer

A We recommend at least one alignment fitting with a maximum installation height of 3 mm. Alignment fittings that protrude above a height of 3 mm must not be used in the pocket.

Ordering information

1		Pocket profile set with TIP-ON		
	Nominal length NL (mm)	Min. pocket depth POT* (mm)	Left	Right
	450	550	801P450E.L2	801P450E.R2
	500	600	801P500E.L2	801P500E.R2
	600	700	801P600E.L2	801P600E.R2
	700	800	801P700E.L2	801P700E.R2
	800	900	801P800E.L2	801P800E.R2

* Specification without pocket back. A back construction with a thickness of at least 3 mm is required. Pocket profiles and TIP-ON unit pocket can be shortened to an individual nominal length.

Consisting of:

1a	1 x	Top pocket profile
1b	1 x	Bottom pocket profile
1d	1 x	TIP-ON unit pocket
1e	5 x	Fixing clips
1f	1 x	BLUMOTION unit pocket
1g	5 x	Attachment for pocket cover strip
1h	1 x	BLUMATIC unit
1i	2 x	Door stabiliser: runner profile incl. end cap, black anodised

2		Hinge bracket set		
	Pocket height (mm)	Left	Right	
	1807 – 1956	801T1000.L2	801T1000.R2	
	1957 – 2106	801T2000.L2	801T2000.R2	
	2107 – 2256	801T3000.L2	801T3000.R2	
	2257 – 2406	801T4000.L2	801T4000.R2	
	2407 – 2556	801T5000.L2	801T5000.R2	
	2557 – 2706	801T6000.L2	801T6000.R2	
	2707 – 2856	801T7000.L2	801T7000.R2	
	2857 – 2999	801T8000.L2	801T8000.R2	

Door cover strips must be shortened to a specific length

Consisting of:

2a	1 x	Hinge strip, black
2f	1 x	Hinge bracket
2g	1 x	TIP-ON spacer
2h	1 x	TIP-ON incl. catch plate, black
2i	1 x	1 x pocket cover strip incl. 5 x mountings, black anodised
-	29 x	System screws for 1i, 2a and 2g, 6 x 14.5 mm, black

Ordering information

Pocket connector set				
3	Application with plinth			
	Pocket side thickness (mm)	Colour		
	15 – 19	Black	801V505B	
Pocket connector top + bottom: POVH 10 mm for 0 – 6 mm gap				
POVH Pocket connector height				
Consisting of:				
3a	2 x	Front pocket connector		
3b	2 x	Back pocket connector		

Pocket connector set				
4	Application without plinth			
	Pocket side thickness (mm)	Colour	Left	Right
	15 – 19	Black	801V605B.L1	801V605B.R1
Pocket connector top: POVH 10 mm for 0 – 6 mm gap				
Pocket connector bottom: POVH 3 mm for gap from 7 – 13 mm				
POVH Pocket connector height				
Consisting of:				
4a	2 x	Front pocket connector		
4b	2 x	Back pocket connector		

Z	Accessories			
Scuff guard				
	For front thicknesses starting from 23 mm			801ZA00S
	For front thicknesses less than 23 mm, the scuff guard can be used as additional front protection			
Consisting of:				
3 x	External pocket side scuff guard			

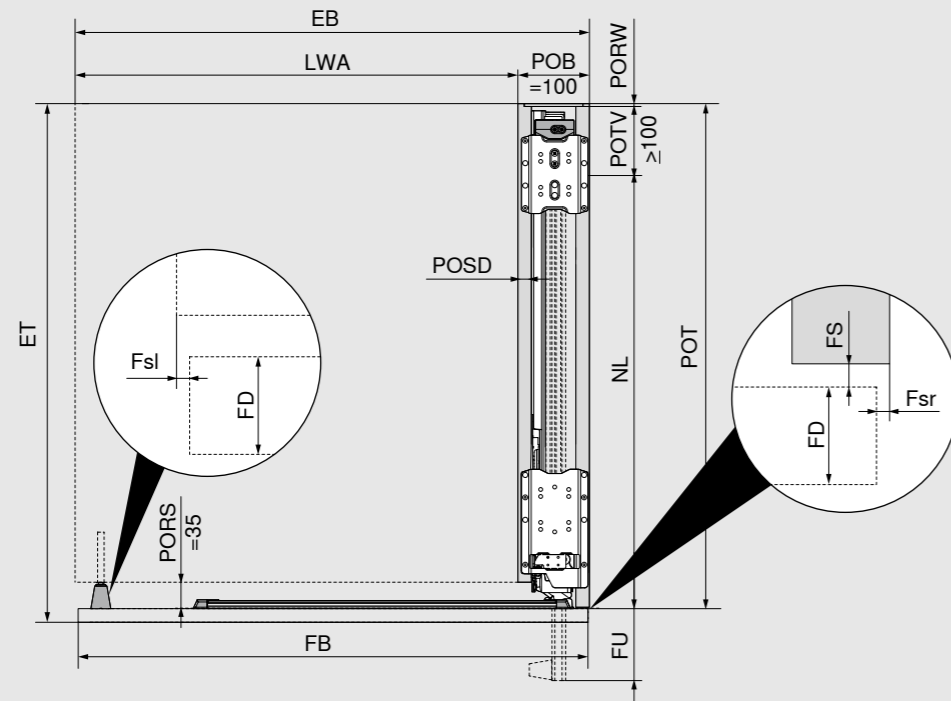
Ordering information

Z	Accessories			
Screws				
	6 x 14.5 mm system screws, nickel plated			661.1450.HG
EXPANDO T – for thin fronts				
	EXPANDO T – single			70T4532T
EXPANDO T suitable for thin fronts – see page 67				
For front thicknesses less than 18 mm, we recommend a trial application				
Screws are not included in the scope of delivery				
Inter-door support for REVEGO uno + uno				
				800ZA02S
Consisting of:				
1 x	Inter-door support (right + left)			

REVEGO uno + uno
Single door, right and left


- Number of fronts: 2
- Installation width: 900 to 1800 mm
- Internal width within the application: up to 1600 mm
- Order all sets for each single door, 1x left and 1x right.

Planning



Installation depth/pocket depth

$ET = POT + FS (2 \text{ mm}) + FD$

Min. $POT = NL + POTV (\geq 100 \text{ mm}) + PORW (\geq 4 \text{ mm})$

Installation width/internal width within the application

$EB = LWA + POB (100 \text{ mm})$

$FB = EB - Fsl - Fsr$
 $Fsl/Fsr = 1.0 - 4.0 \text{ mm}$

Max. $NL = FB + 8 \text{ mm}$

$FU = FB - NL + 15 \text{ mm}$
 (min. $FU = 7 \text{ mm}$)

$FD = 18 - 26 \text{ mm}$

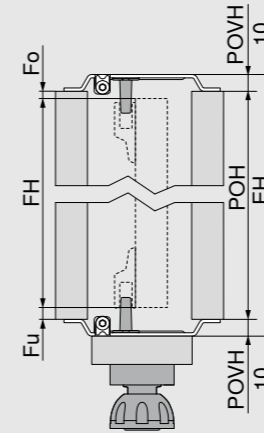
- By cutting the profiles to size, the front protrusion (FU) can be customised.
- To ensure optimum functionality, the fronts are slightly tilted inside the pocket.
- A partition side is required for a stand-alone application, or one adjacent to a worktop area.
- A TIP-ON set part no. 956A1004 must be attached in the trigger range for applications with a partition side. We recommend using a screw-on catch plate.
- The internal width within the application determines the maximum width to be planned for the internal construction.
- With front thicknesses (FD) of more than 23 mm, the side gap (pocket side), the outside front radius and the inner radius of the external pocket side must be at least 3 mm.
- For front thicknesses (FD) less than 18 mm (possible depending on material/stability), we recommend a trial application.

EB	Installation width
ET	Installation depth
Fsl	Gap left
Fsr	Gap right
FB	Front width
FD	Front thickness
FS	Front gap
FU	Front protrusion
LWA	Internal width within the application
NL	Nominal length
POB	Pocket width
POT	Pocket depth
PORS	Pocket back cut
PORW	Pocket back
POSD	Pocket side thickness
POTV	Pocket depth loss

Planning

Installation height, front height

Application with plinth



$FH = POH - Fo - Fu$

$EH \leq POH + POVH \text{ top and bottom}$

$POH = FH + Fo + Fu$

POVH 10 mm: gap 0 - 6 mm

- Note tilt angle when erecting!
- Minimum distance from the front bottom edge to the floor 10 mm, to the next element above and below 6 mm
- Minimum plinth height 80 mm

EH Installation height

Fo Top gap

Fu Bottom gap

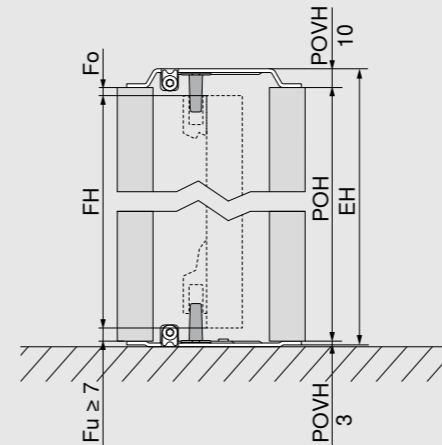
FH Front height

POH Pocket height

POVH Pocket connector height

Installation height, front height

Application without plinth



$FH = POH - Fo - Fu$

$EH \leq POH + POVH \text{ top and bottom}$

$POH = FH + Fo + Fu$

POVH top 10 mm: gap 0 - 6 mm

POVH bottom 3 mm: gap from 7 - 13 mm

- Note tilt angle when erecting!
- Minimum distance from the front bottom edge to the floor 10 mm, to the next element above and below 6 mm

EH Installation height

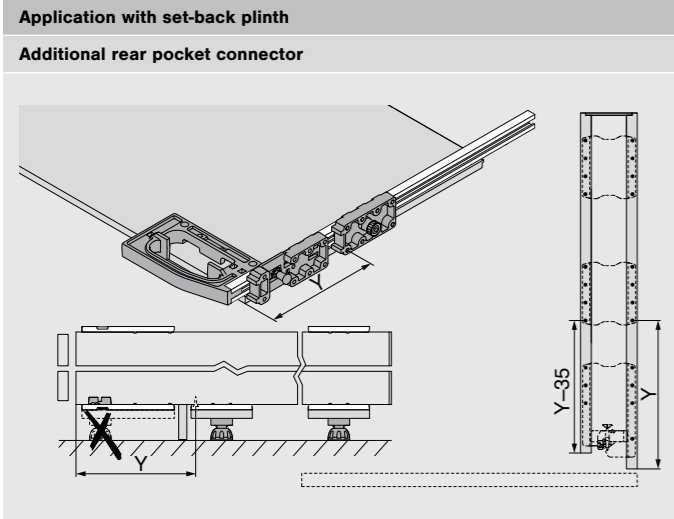
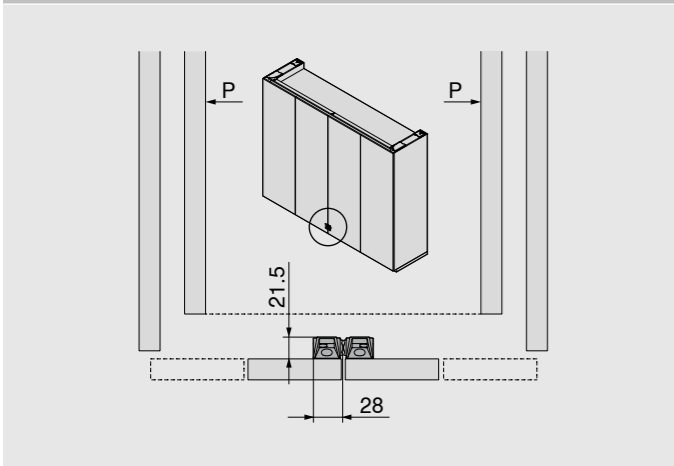
Fo Top gap

Fu Bottom gap

FH Front height

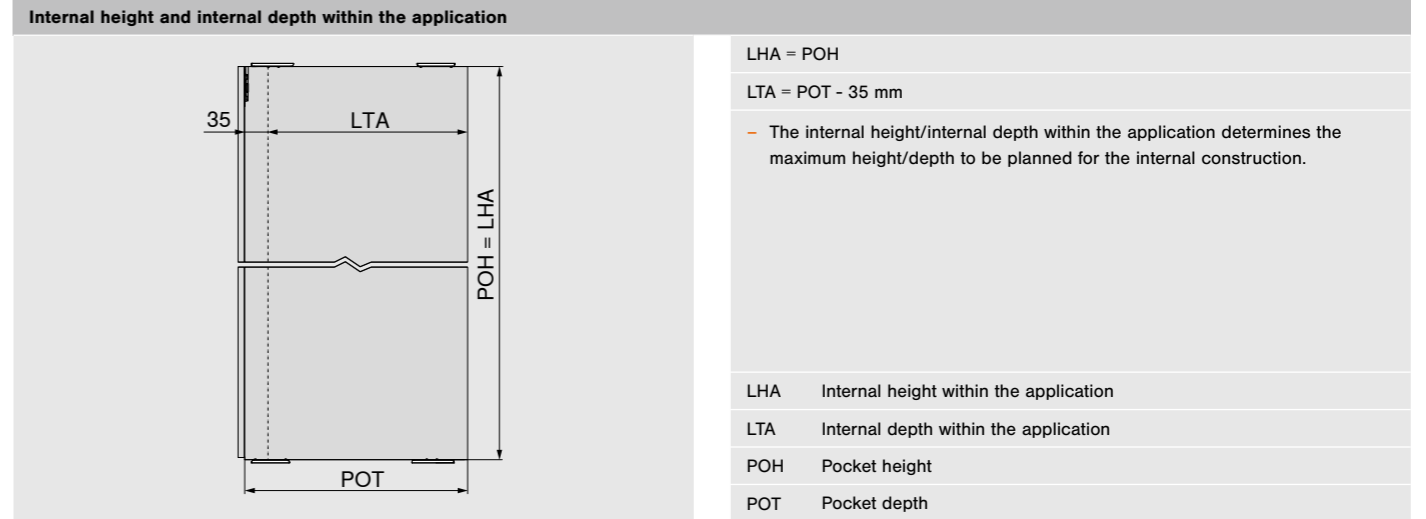
POH Pocket height

POVH Pocket connector height

Planning**Inter-door support**

- Supports a single door against a double door, two single doors against each other or two double doors against each other

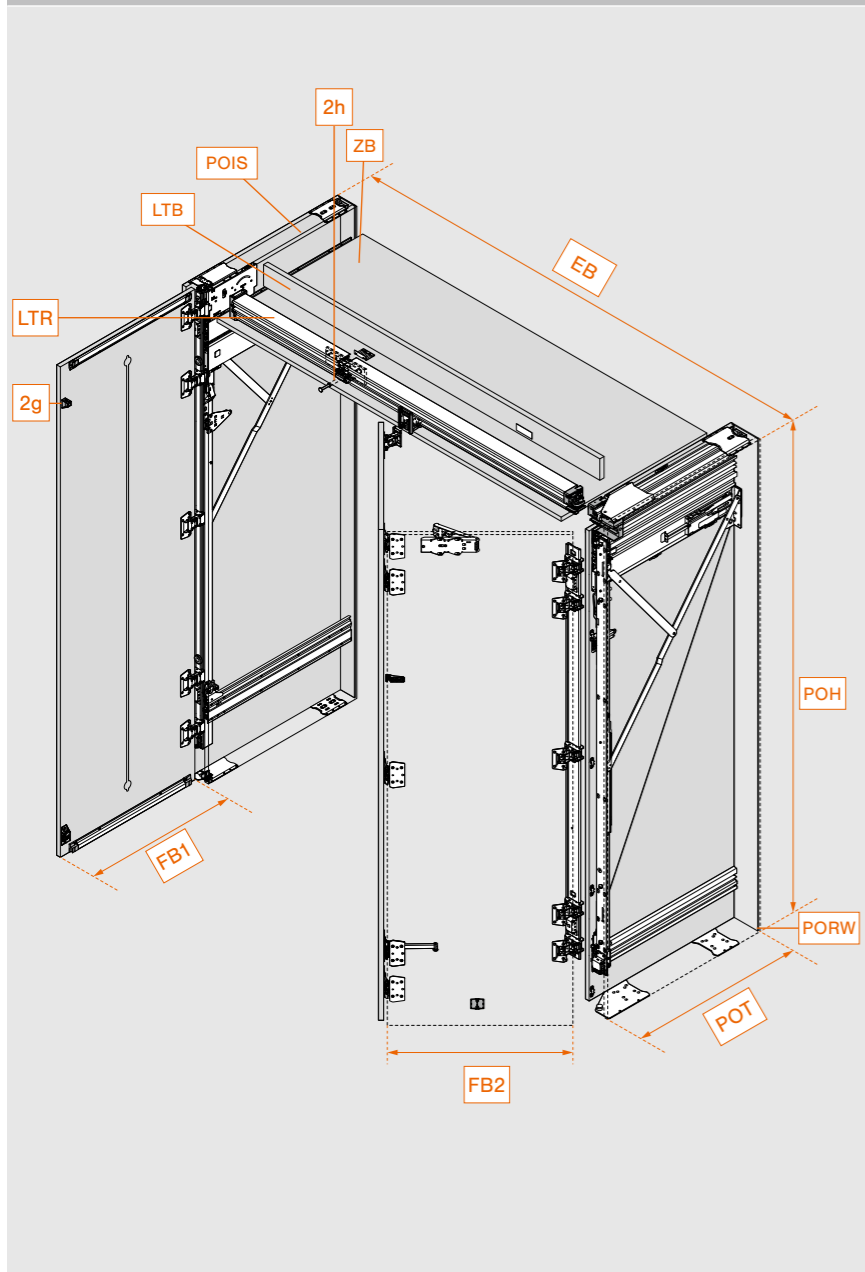
P Pocket

Planning



Installation position	Single door, right or left + double door, right or left (mm)		
	Width	Height	Depth
Installation dimensions	1350 – 2400	1820 – 3012	From 575
Internal dimensions within the application	Width up to 2150	Height up to 2884	Depth From 484
Pocket dimensions	Width 100 / 150	Height 1807 – 2999	Depth From 554
Front dimensions	Width 442 – 898/748	Height 1800 – 2980	Thickness 18 – 26
Front weight	35 kg per front		

Overview



EB	Installation width
FB1	Single door front width
FB2	Double door front width
LTB	Track cover panel
POIS	Internal pocket side
PORW	Pocket back
LTR	Track
POH	Pocket height
POT	Pocket depth
ZB	Fixed shelf
2g	TIP-ON spacer
2h	TIP-ON incl. catch plate



Fittings selection made easy

It is easy to work out the fittings and drilling positions you need using the Product Configurator. Scan the QR code, enter the webcode in the Product Configurator or click on the short URL. Don't have login information for E-SERVICES yet? Register here and get access free of charge.

Web code **DQIVXA**

Link www.blum.com/DQIVXA

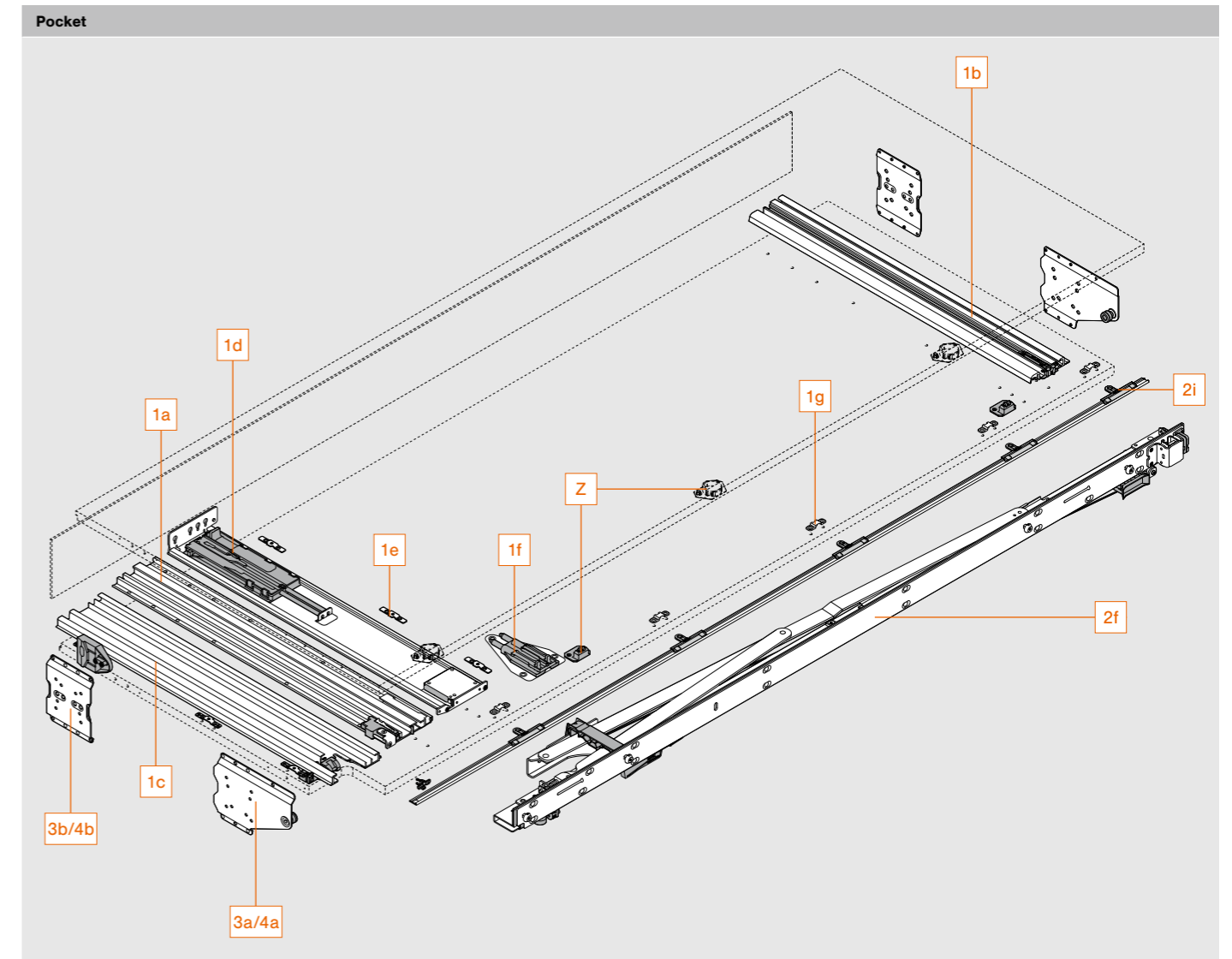


Product Configurator



Assembly and adjustment
www.blum.com/rev3md

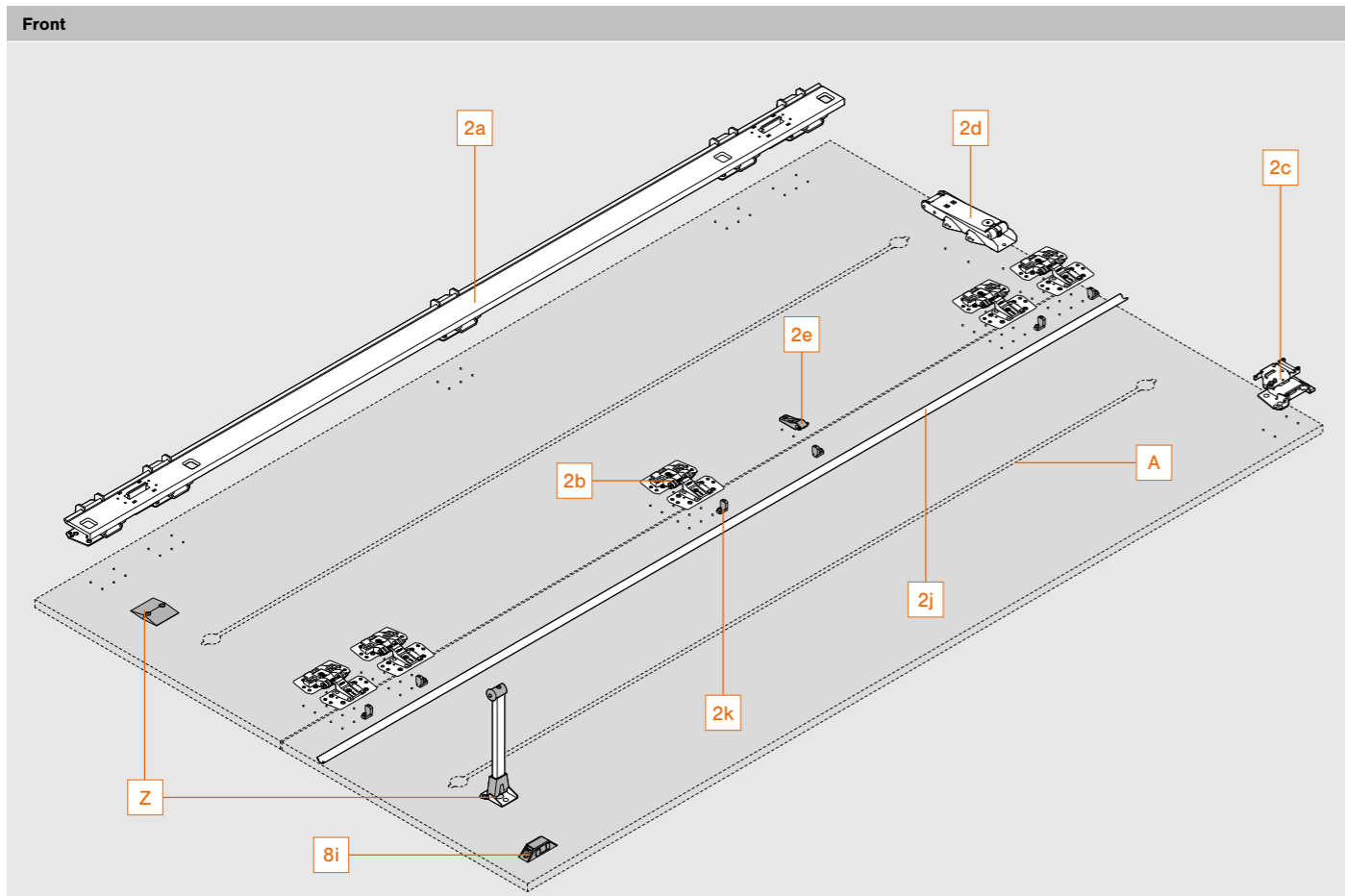
Double door component overview



Consisting of:

1a	Top pocket profile
1b	Bottom pocket profile
1c	Roller profile
1d	TIP-ON unit pocket
1e	Fixing clips
1f	BLUMOTION unit pocket
1g	Attachment for pocket cover strip
2f	Hinge bracket
2i	Pocket cover strip incl. mounting
3a/4a	Front pocket connector
3b/4b	Back pocket connector
Z	Scuff guard

Double door component overview

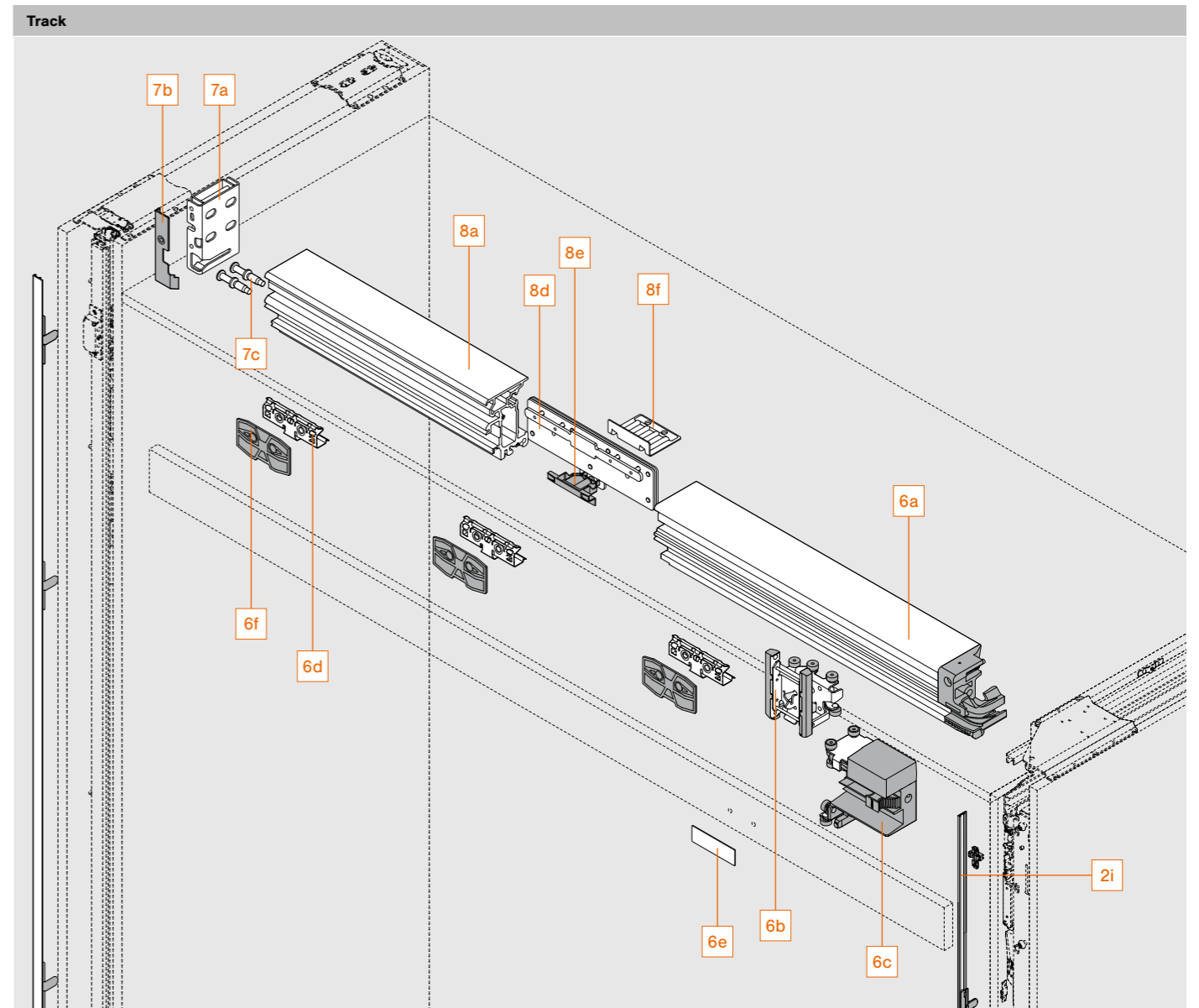


Consisting of:

2a	Hinge strip
2b	Double door hinge
2c	Roller carriage hinge
2d	TIP-ON unit door
2e	Support for door cover strip
2j	Door cover strip
2k	Mounting for door cover strip
8i	Inter-door support
Z	Inner door support incl. tip-assist

A We recommend at least one alignment fitting per front with a maximum installation height of 20 mm. The space available between the folded pair of fronts is 20 mm.

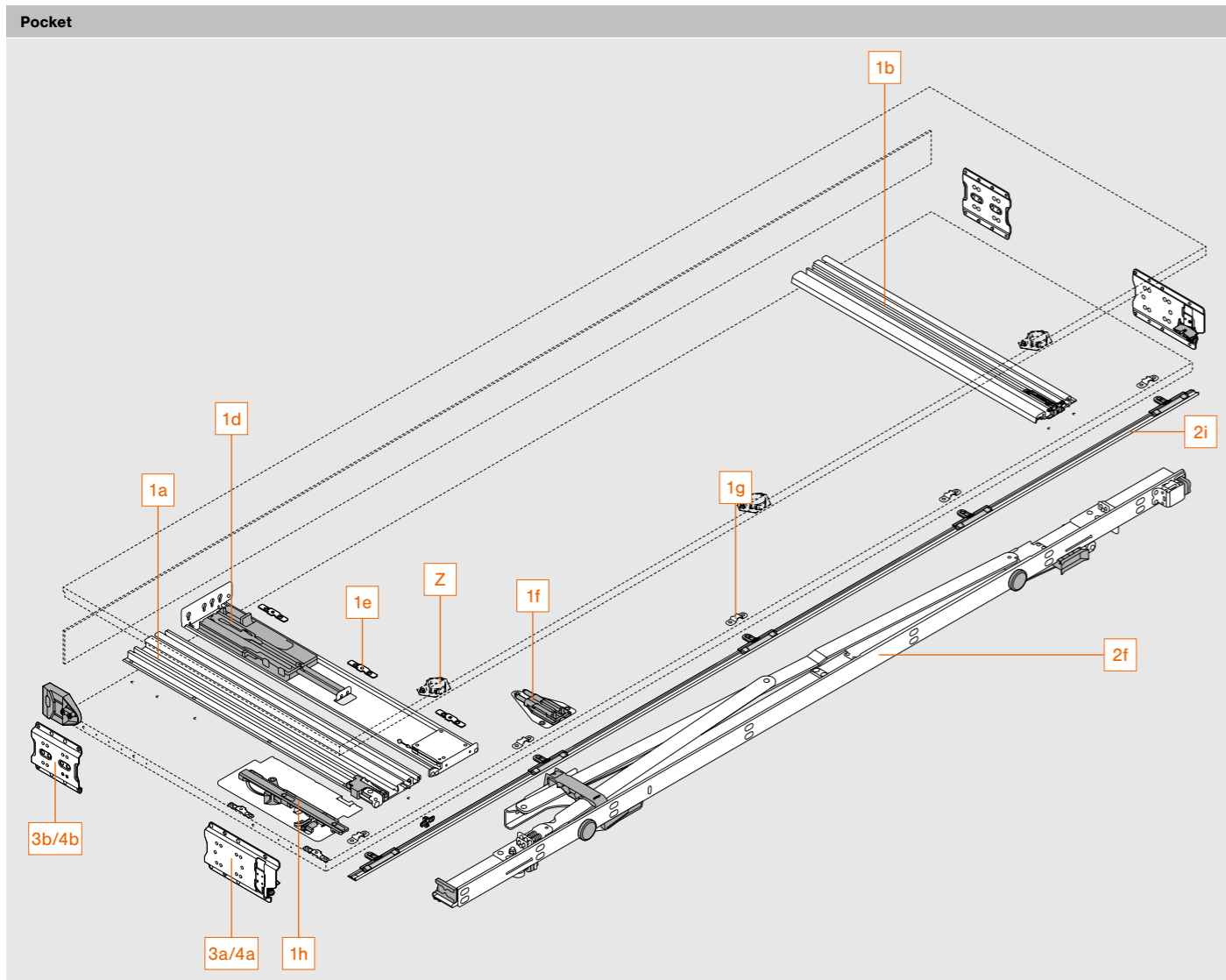
Double door component overview



Consisting of:

2i	Pocket cover strip incl. mounting
6a	Track
6b	Roller carriage
6c	Roller carriage transporter
6d	Mounting for track cover panels
6e	Catch plate
6f	Spacer
7a	Track fixing
7b	Cover for track fixing
7c	Pin for track fixing
8a	Track extension
8d	Track connection
8e	Cover for track connection
8f	Support angle for depth adjustment

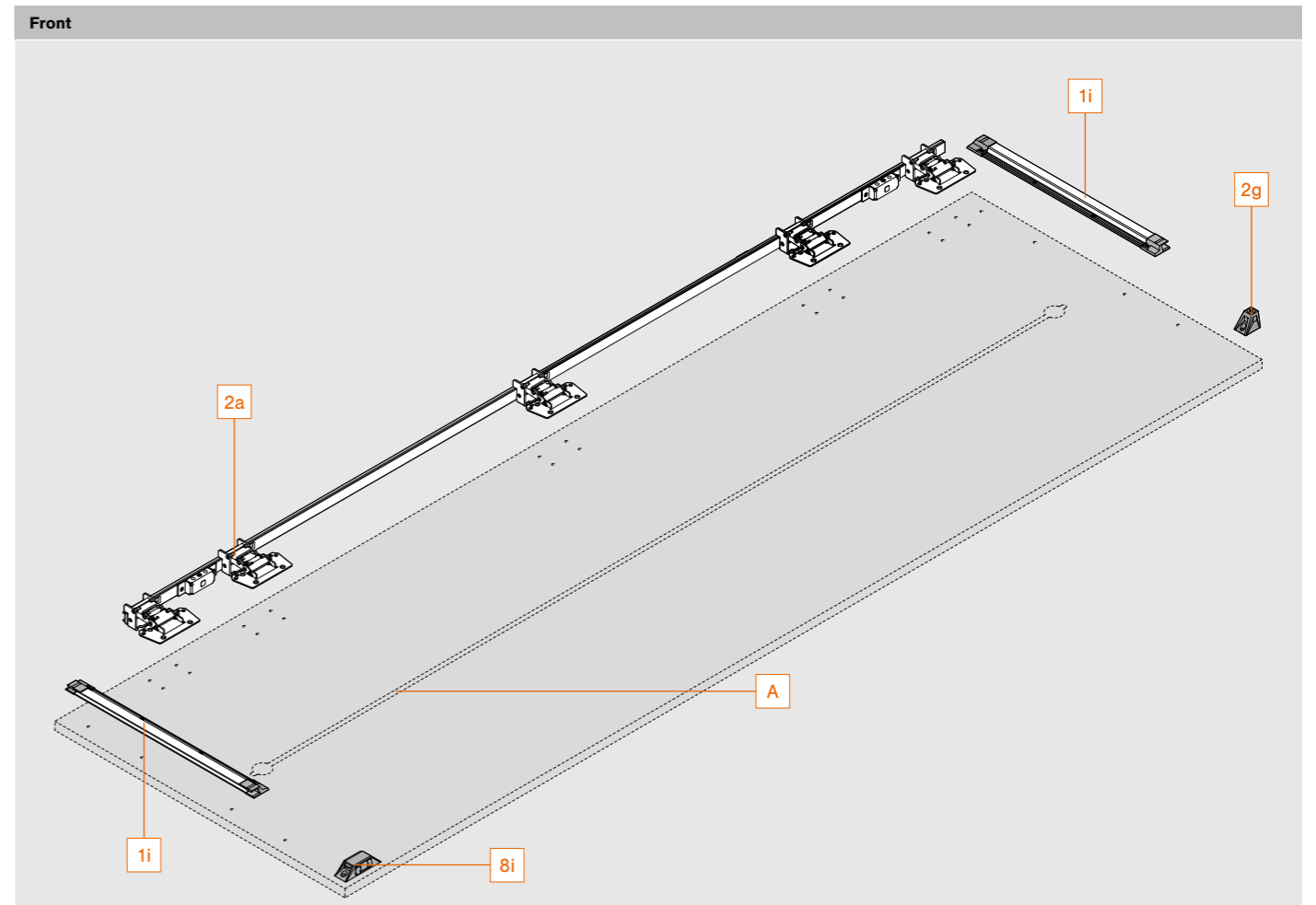
Single door component overview



Consisting of:

1a	Top pocket profile
1b	Bottom pocket profile
1d	TIP-ON unit pocket
1e	Fixing clips
1f	BLUMOTION unit pocket
1g	Attachment for pocket cover strip
1h	BLUMATIC unit
2f	Hinge bracket
2i	Pocket cover strip incl. mounting
3a/4a	Front pocket connector
3b/4b	Back pocket connector
Z	Scuff guard

Single door component overview




Consisting of:

1i	Door stabiliser
2a	Hinge strip
2g	TIP-ON spacer
8i	Inter-door support

A We recommend at least one alignment fitting with a maximum installation height of 3 mm. Alignment fittings that protrude above a height of 3 mm must not be used in the pocket.


Double door ordering information

1 Pocket profile set with TIP-ON				
	Nominal length NL (mm)	Min. pocket depth POT* (mm)	Left	Right
	450	550	802P450D.L2	802P450D.R2
	525	625	802P525D.L2	802P525D.R2
	600	700	802P600D.L2	802P600D.R2
	675	775	802P675D.L2	802P675D.R2
	750	850	802P750D.L2	802P750D.R2

* Specification without pocket back. A back construction with a thickness of at least 3 mm is required. Pocket and roller profiles as well as TIP-ON unit pocket can be shortened to a custom nominal length.

Consisting of:

1a	1 x	Top pocket profile
1b	1 x	Bottom pocket profile
1c	1 x	Roller profile
1d	1 x	TIP-ON unit pocket
1e	6 x	Fixing clips
1f	1 x	BLUMOTION unit pocket
1g	5 x	Attachment for pocket cover strip

2 Hinge bracket set with TIP-ON			
	Pocket height (mm)	Left	Right
	1807 – 1956	802T1000.L2	802T1000.R2
	1957 – 2106	802T2000.L2	802T2000.R2
	2107 – 2256	802T3000.L2	802T3000.R2
	2257 – 2406	802T4000.L2	802T4000.R2
	2407 – 2556	802T5000.L2	802T5000.R2
	2557 – 2706	802T6000.L2	802T6000.R2
	2707 – 2856	802T7000.L2	802T7000.R2
	2857 – 2999	802T8000.L2	802T8000.R2

Door cover strips must be shortened to a specific length

Consisting of:

2a	1 x	Hinge strip
2b	5 x	Double door hinge
2c	1 x	Roller carriage hinge
2d	1 x	TIP-ON unit door
2e	1 x	Support for door cover strip
2f	1 x	Hinge bracket
2i	1 x	Pocket cover strip incl. 5 x mountings, black anodised
2j	1 x	Door cover strip, black anodised
2k	6 x	Mounting for door cover strip

Double door ordering information

Pocket connector set			
3 Application with plinth			
	Pocket side thickness (mm)	Colour	
	15 – 17	Black	802V560B
	18 – 19	Black	802V580B

Pocket connector top + bottom: POVH 10 mm for 0 – 6 mm gap

POVH Pocket connector height

Consisting of:

3a	2 x	Front pocket connector
3b	2 x	Back pocket connector

Pocket connector set				
4 Application without plinth				
	Pocket side thickness (mm)	Colour	Left	Right
	15 – 17	Black	802V660B.L1	802V660B.R1
	18 – 19	Black	802V680B.L1	802V680B.R1


Pocket connector top: POVH 10 mm for 0 – 6 mm gap

Pocket connector bottom: POVH 3 mm for gap from 7 – 13 mm

POVH Pocket connector height

Consisting of:

4a	2 x	Front pocket connector
4b	2 x	Back pocket connector

6 Track set				
	LWA2 double door (mm)	Colour	Left	Right
	1050	Black anodised	802L1050DL1	802L1050DR1
	1200	Black anodised	802L1200DL1	802L1200DR1
	1250	Black anodised	802L1250DL1	802L1250DR1
	1350	Black anodised	802L1350DL1	802L1350DR1


Track can be shortened to any length.


LWA2 Internal width within the application, double door


Consisting of:

6a	1 x	Track
6b	1 x	Roller carriage
6c	1 x	Roller carriage transporter
6d	2 x	Mounting for track cover panels
6e	1 x	Catch plate, black
6f	2 x	Spacer



Double door ordering information

8 Assembly set for a single door and double door combined			
LWA1 single door (mm)		Left	Right
	600	802M6003.L1	802M6003.R1
	700	802M7003.L1	802M7003.R1
	800	802M8003.L1	802M8003.R1
Track extension can be shortened to any length.			
LWA1 Internal width within the application, single door			
Consisting of:			
6d	1 x	Mounting for track cover panel	
6f	1 x	Spacer	
7a	1 x	Track fixing	
7b	1 x	Cover for track fixing	
7c	2 x	Pin for track fixing	
8a	1 x	Track extension	
8d	1 x	Track connection	
8e	1 x	Cover for track connection	
8i	1 x	Inter-door support (right + left)	
8f	1 x	Support angle for depth adjustment	

Z Accessories		
Inner door support incl. tip-assist		
	Supporting length: 218 mm	802ZA030
	Supporting length: 350 mm	802ZA031
For additional support on the worktop area, plinth front, cabinet, etc.		

Scuff guard		
	For front thicknesses starting from 23 mm	802ZA00S
	For front thicknesses less than 23 mm, the scuff guard can be used as additional front protection	
Consisting of:		
3 x	External pocket side scuff guard	
2 x	Internal pocket side scuff guard	

Double door ordering information

Z Accessories		
Screws		
	6 x 14.5 mm system screws, nickel plated	661.1450.HG
EXPANDO T – for thin fronts		
	EXPANDO T – single	70T4532T
EXPANDO T suitable for thin fronts – see page 67		
For front thicknesses less than 18 mm, we recommend a trial application		
Screws are not included in the scope of delivery		

Single door ordering information

1 Pocket profile set with TIP-ON					
		Nominal length NL (mm)	Min. pocket depth POT* (mm)	Left	Right
		450	550	801P450E.L2	801P450E.R2
		500	600	801P500E.L2	801P500E.R2
		600	700	801P600E.L2	801P600E.R2
		700	800	801P700E.L2	801P700E.R2
		800	900	801P800E.L2	801P800E.R2

* Specification without pocket back. A back construction with a thickness of at least 3 mm is required. Pocket profiles and TIP-ON unit pocket can be shortened to an individual nominal length.

Consisting of:

1a	1 x	Top pocket profile
1b	1 x	Bottom pocket profile
1d	1 x	TIP-ON unit pocket
1e	5 x	Fixing clips
1f	1 x	BLUMOTION unit pocket
1g	5 x	Attachment for pocket cover strip
1h	1 x	BLUMATIC unit
1i	2 x	Door stabiliser: runner profile incl. end cap, black anodised

2 Hinge bracket set				
		Pocket height (mm)	Left	Right
		1807 – 1956	801T1000.L2	801T1000.R2
		1957 – 2106	801T2000.L2	801T2000.R2
		2107 – 2256	801T3000.L2	801T3000.R2
		2257 – 2406	801T4000.L2	801T4000.R2
		2407 – 2556	801T5000.L2	801T5000.R2
		2557 – 2706	801T6000.L2	801T6000.R2
		2707 – 2856	801T7000.L2	801T7000.R2
		2857 – 2999	801T8000.L2	801T8000.R2

Door cover strips must be shortened to a specific length

Consisting of:

2a	1 x	Hinge strip, black
2f	1 x	Hinge bracket
2g	1 x	TIP-ON spacer
2h	1 x	TIP-ON incl. catch plate, black
2i	1 x	1 x pocket cover strip incl. 5 x mountings, black anodised
-	29 x	System screws for 1i, 2a and 2g, 6 x 14.5 mm, black

Pocket connector set

3 Application with plinth			
		Pocket side thickness (mm)	Colour
		15 – 19	Black
			801V505B

Pocket connector top + bottom: POVH 10 mm for 0 – 6 mm gap

POVH Pocket connector height

Consisting of:

3a	2 x	Front pocket connector
3b	2 x	Back pocket connector

Single door ordering information

Pocket connector set					
4 Application without plinth					
		Pocket side thickness (mm)	Colour	Left	Right
		15 – 19	Black	801V605B.L1	801V605B.R1

Pocket connector top: POVH 10 mm for 0 – 6 mm gap

Pocket connector bottom: POVH 3 mm for gap from 7 – 13 mm

POVH Pocket connector height

Consisting of:

4a	2 x	Front pocket connector
4b	2 x	Back pocket connector

Z Accessories
Scuff guard

	For front thicknesses starting from 23 mm	801ZA00S
	For front thicknesses less than 23 mm, the scuff guard can be used as additional front protection	

Consisting of:

3 x	External pocket side scuff guard
-----	----------------------------------

Screws

	6 x 14.5 mm system screws, nickel plated	661.1450.HG
--	--	-------------

EXPANDO T – for thin fronts

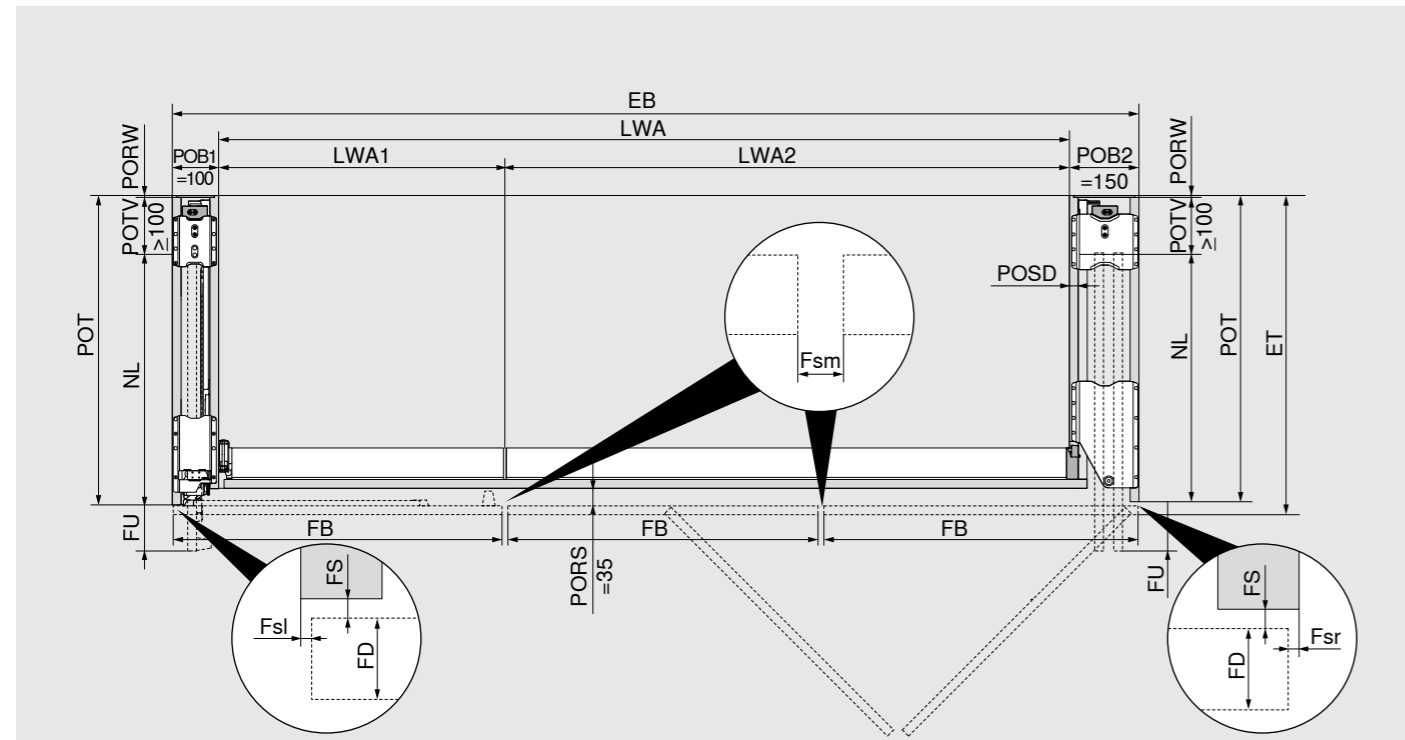
	EXPANDO T – single	70T4532T
--	--------------------	----------

EXPANDO T suitable for thin fronts – see page 67

For front thicknesses less than 18 mm, we recommend a trial application

Screws are not included in the scope of delivery

Planning



Installation width/internal width within the application	
EB = LWA1 + LWA2 + POB1 (100 mm) + POB2 (150 mm)	
Front width/front protrusion	
Double door: FB = (LWA2 + POB2 - Fsl - Fsm - Fsr) : 2 (fronts) Single door: FB = LWA1 + POB1 - Fsl - Fsr Fsl/Fsr = 1.0 - 4.0 mm; Fsm = 2.0 - 8.0 mm	
Max. NL = FB + 8 mm	
FU = FB - NL + 15 mm (min. FU = 7 mm)	
Installation depth/pocket depth	
ET = POT + FS (2 mm) + FD	
FD = 18 - 26 mm	
Min. POT = NL + POTV (≥ 100 mm) + PORW (≥ 4 mm)	
POSD = 15 - 19 mm	
<ul style="list-style-type: none"> - By cutting the profiles to size, the front protrusion (FU) can be customised. - To ensure optimum functionality, the fronts are slightly tilted inside the pocket. - The internal width within the application determines the maximum width to be planned for the internal construction. - With front thicknesses (FD) of more than 23 mm, the side gap (pocket side), the outside front radius and the inner radius of the external pocket side must be at least 3 mm. - For front thicknesses (FD) less than 18 mm (possible depending on material/stability), we recommend a trial application. 	

EB	Installation width
ET	Installation depth
Fsm	Centre gap (between the fronts)
Fsl	Gap left
Fsr	Gap right
FB	Front width
FD	Front thickness
FS	Front gap
FU	Front protrusion
LWA	Internal width within the application
LWA1	Internal width within the application, single door
LWA2	Internal width within the application, double door
NL	Nominal length
POB1	Single door pocket width
POB2	Double door pocket width
POT	Pocket depth
PORS	Pocket back cut
PORW	Pocket back
POSD	Pocket side thickness
POTV	Pocket depth loss

Planning

Installation height, front height

Application with plinth

$FH = POH - Fo - Fu$
 $EH \leq POH + POVH$ top and bottom
 $POH = FH + Fo + Fu$
 POVH 10 mm: gap 0 - 6 mm

- Note tilt angle when erecting!
- Minimum distance from the front bottom edge to the floor 10 mm, to the next element above and below 6 mm
- Minimum plinth height 80 mm

EH	Installation height
Fo	Top gap
Fu	Bottom gap
FH	Front height
POH	Pocket height
POVH	Pocket connector height

Installation height, front height

Application without plinth

$FH = POH - Fo - Fu$
 $EH \leq POH + POVH$ top and bottom
 $POH = FH + Fo + Fu$
 POVH top 10 mm: gap 0 - 6 mm
 POVH bottom 3 mm: gap from 7 - 13 mm

- Note tilt angle when erecting!
- Minimum distance from the front bottom edge to the floor 10 mm, to the next element above and below 6 mm

EH	Installation height
Fo	Top gap
Fu	Bottom gap
FH	Front height
POH	Pocket height
POVH	Pocket connector height

Planning

Application with set-back plinth

Additional rear pocket connector

REVEGO uno

REVEGO duo

Inter-door support

- Supports a single door against a double door, two single doors against each other or two double doors against each other

P Pocket

Inner door support incl. tip-assist

- Support on the worktop area, plinth front, cabinet, etc.
- Distance to internal installation: 70 - 218/350 mm
- Assembly height of the door support ideally as far down as possible, however up to a maximum height of 1000 mm from the front bottom edge

P Pocket

Planning

Track installation dimension

- We recommend using a cross member to stabilise the fixed shelf. Minimum distance to front edge of internal pocket side = 170 mm
- A solid connection between the fixed shelf and the pocket with connector fittings is recommended for an attractive gap layout
- No mounting of add-on parts directly on the track

LBH = 83 mm

LBD = 15 - 19 mm
(≤ 17 mm the spacer must be used)

LTF = 17 mm

LA = 100 mm

LV = LA + ZBD (≥ 15 mm)

FD	Front thickness
LA	Track cut-out
LV	Track installation
LBD	Track cover panel thickness
LBH	Track cover panel height
LTF	Track gap
PORS	Pocket back cut
ZBD	Fixed shelf thickness

Internal height and internal depth within the application

- The internal height/internal depth within the application determines the maximum height/depth to be planned for the internal construction

LHA = POH - LV

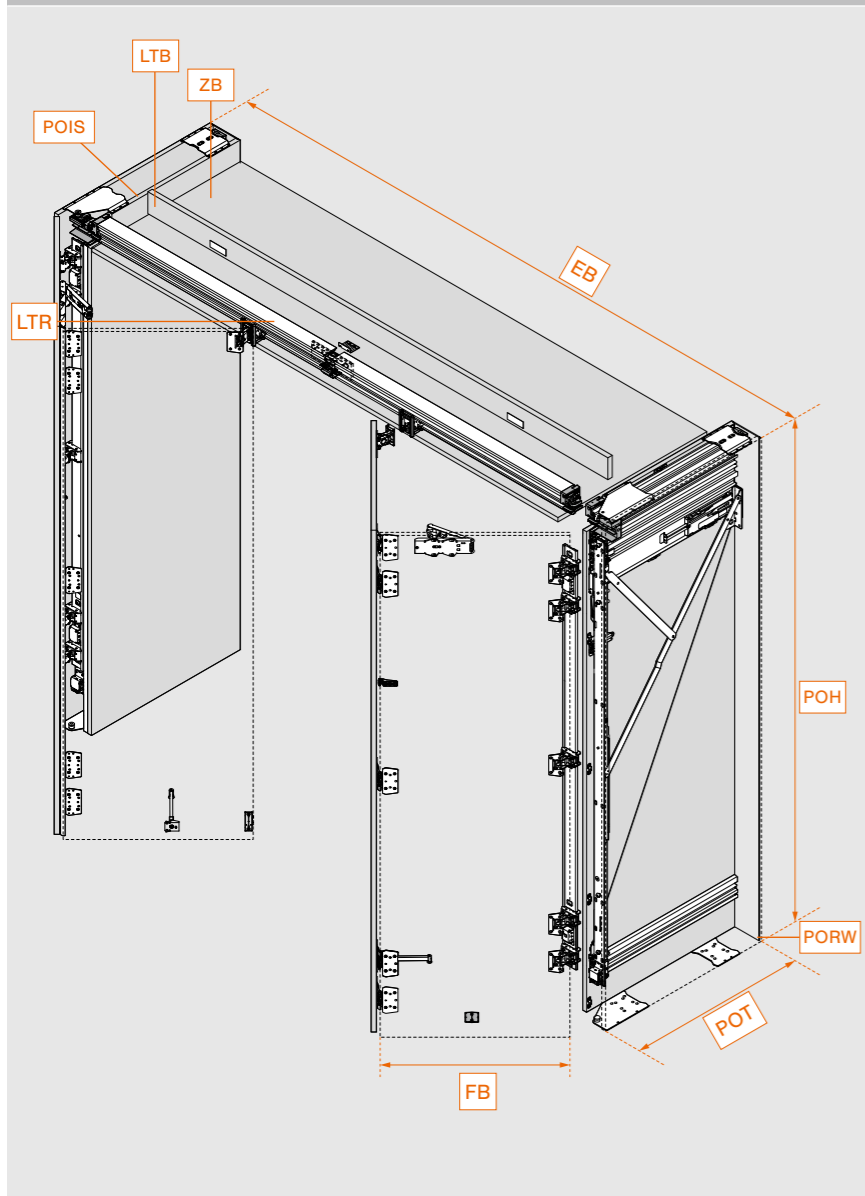
LTA = POT - 70 mm

LHA	Internal height within the application
LTA	Internal depth within the application
LV	Track installation
POH	Pocket height
POT	Pocket depth



Installation position	Double door right + double door left (mm)		
	Width	Height	Depth
Installation dimensions	1800 – 3000	1820 – 3012	From 575
Internal dimensions within the application	up to 2700	up to 2884	From 484
Pocket dimensions	150	1807 – 2999	From 554
Front dimensions	442 – 748	1800 – 2980	18 – 26
Front weight	35 kg per front		

Overview



EB	Installation width
FB	Front width
LTR	Track
LTB	Track cover panel
POH	Pocket height
POT	Pocket depth
POIS	Internal pocket side
PORW	Pocket back
ZB	Fixed shelf

Fittings selection made easy

It is easy to work out the fittings and drilling positions you need using the Product Configurator. Scan the QR code, enter the webcode in the Product Configurator or click on the short URL. Don't have login information for E-SERVICES yet? Register here and get access free of charge.

Web code **DQIVMM**
 Link www.blum.com/DQIVMM

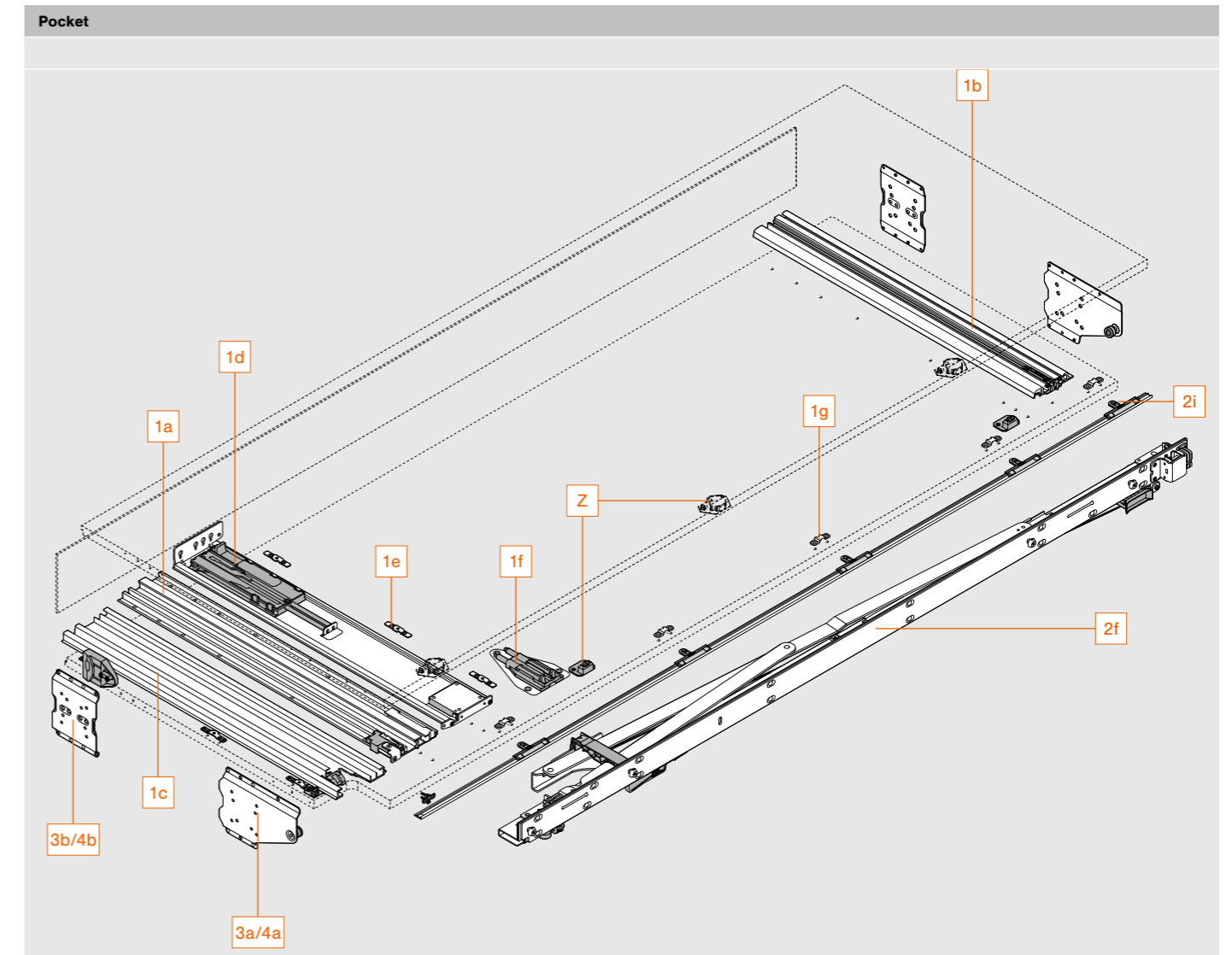


Product Configurator



Assembly and adjustment
www.blum.com/rev4md

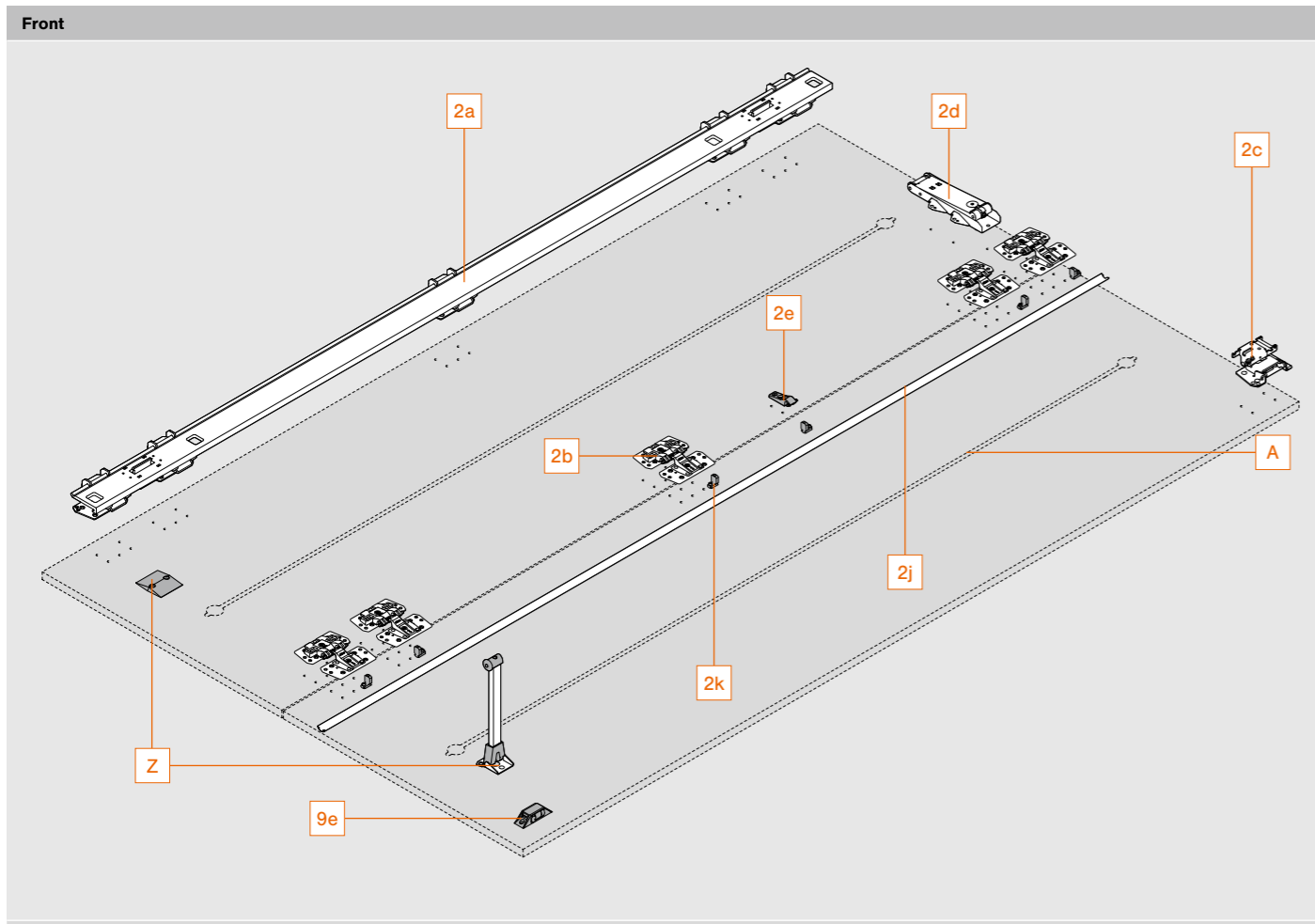
Component overview



Consisting of:

1a	Top pocket profile
1b	Bottom pocket profile
1c	Roller profile
1d	TIP-ON unit pocket
1e	Fixing clips
1f	BLUMOTION unit pocket
1g	Attachment for pocket cover strip
2f	Hinge bracket
2i	Pocket cover strip incl. mounting
3a/4a	Front pocket connector
3b/4b	Back pocket connector
Z	Scuff guard

Component overview

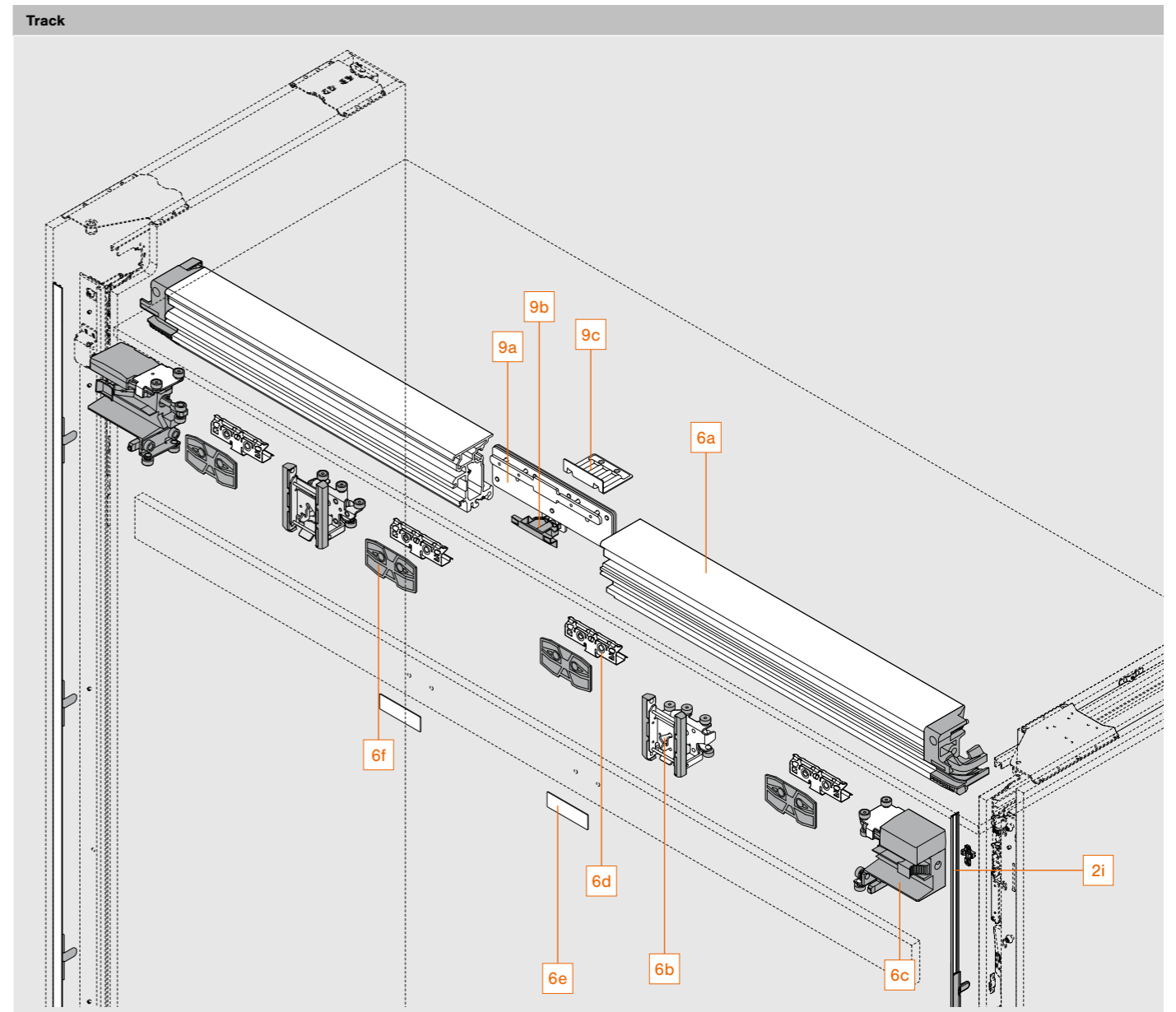


Consisting of:

2a	Hinge strip
2b	Double door hinge
2c	Roller carriage hinge
2d	TIP-ON unit door
2e	Support for door cover strip
2j	Door cover strip
2k	Mounting for door cover strip
9e	Inter-door support
Z	Inner door support incl. tip-assist

A We recommend at least one alignment fitting per front with a maximum installation height of 20 mm. The space available between the folded pair of fronts is 20 mm.

Component overview



Consisting of:

2i	Pocket cover strip incl. mounting
6a	Track
6b	Roller carriage
6c	Roller carriage transporter
6d	Mounting for track cover panels
6e	Catch plate
6f	Spacer
9a	Track connection
9b	Cover for track connection
9c	Support angle for depth adjustment

Ordering information

1 Pocket profile set with TIP-ON					
		Nominal length NL (mm)	Min. pocket depth POT* (mm)	Left	Right
		450	550	802P450D.L2	802P450D.R2
		525	625	802P525D.L2	802P525D.R2
		600	700	802P600D.L2	802P600D.R2
		675	775	802P675D.L2	802P675D.R2
		750	850	802P750D.L2	802P750D.R2

* Specification without pocket back. A back construction with a thickness of at least 3 mm is required. Order set for each double door, 1x left and 1x right. Pocket and roller profiles as well as TIP-ON unit pocket can be shortened to a custom nominal length.

Consisting of:

1a	1 x	Top pocket profile
1b	1 x	Bottom pocket profile
1c	1 x	Roller profile
1d	1 x	TIP-ON unit pocket
1e	6 x	Fixing clips
1f	1 x	BLUMOTION unit pocket
1g	5 x	Attachment for pocket cover strip

2 Hinge bracket set with TIP-ON				
		Pocket height (mm)	Left	Right
		1807 – 1956	802T1000.L2	802T1000.R2
		1957 – 2106	802T2000.L2	802T2000.R2
		2107 – 2256	802T3000.L2	802T3000.R2
		2257 – 2406	802T4000.L2	802T4000.R2
		2407 – 2556	802T5000.L2	802T5000.R2
		2557 – 2706	802T6000.L2	802T6000.R2
		2707 – 2856	802T7000.L2	802T7000.R2
		2857 – 2999	802T8000.L2	802T8000.R2

Order set for each double door, 1x left and 1x right

Door cover strips must be shortened to a specific length

Consisting of:

2a	1 x	Hinge strip
2b	5 x	Double door hinge
2c	1 x	Roller carriage hinge
2d	1 x	TIP-ON unit door
2e	1 x	Support for door cover strip
2f	1 x	Hinge bracket
2i	1 x	Pocket cover strip incl. 5 x mountings, black anodised
2j	1 x	Door cover strip, black anodised
2k	6 x	Mounting for door cover strip

Ordering information

Pocket connector set			
3 Application with plinth			
		Pocket side thickness (mm)	Colour
		15 – 17	Black
		18 – 19	Black

Order 1x per double door

Pocket connector top + bottom: POVH 10 mm for 0 – 6 mm gap

POVH Pocket connector height

Consisting of:

3a	2 x	Front pocket connector
3b	2 x	Back pocket connector

Pocket connector set					
4 Application without plinth					
		Pocket side thickness (mm)	Colour	Left	Right
		15 – 17	Black	802V660B.L1	802V660B.R1
		18 – 19	Black	802V680B.L1	802V680B.R1

Order 1x left and 1x right per double door

Pocket connector top: POVH 10 mm for 0 – 6 mm gap

Pocket connector bottom: POVH 3 mm for gap from 7 – 13 mm

POVH Pocket connector height

Consisting of:

4a	2 x	Front pocket connector
4b	2 x	Back pocket connector

6 Track set					
		LWA2 double door (mm)	Colour	Left	Right
		1050	Black anodised	802L1050DL1	802L1050DR1
		1200	Black anodised	802L1200DL1	802L1200DR1
		1250	Black anodised	802L1250DL1	802L1250DR1
		1350	Black anodised	802L1350DL1	802L1350DR1

Order set for each double door, 1x left and 1x right


Track can be shortened to any length.

LWA2 Internal width within the application




Consisting of:

6a	1 x	Track
6b	1 x	Roller carriage
6c	1 x	Roller carriage transporter
6d	2 x	Mounting for track cover panels
6e	1 x	Catch plate, black
6f	2 x	Spacer


Ordering information

9		Assembly set for two double doors combined	
	Colour		
	Black		802M0004
Consisting of:			
9a	1 x	Track connection	
9b	1 x	Cover for track connection	
9c	1 x	Support angle for depth adjustment	
9e	1 x	Inter-door support (right + left)	

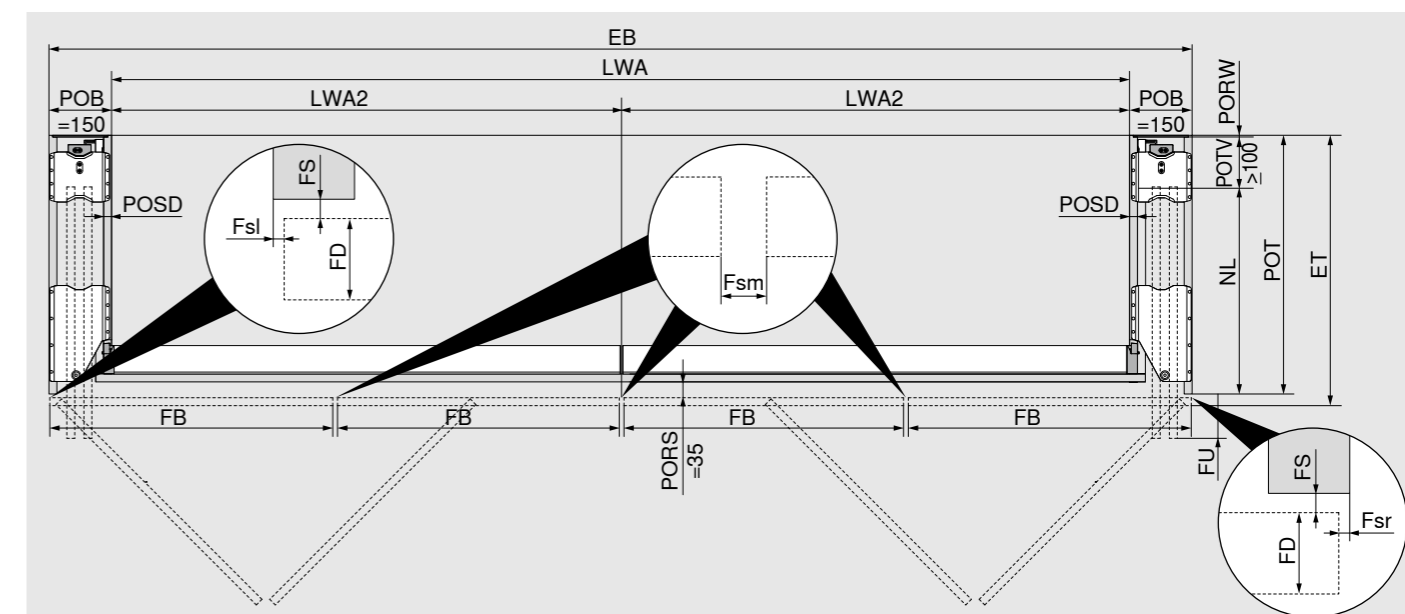
Z Accessories

Inner door support incl. tip-assist			
	Supporting length: 218 mm		802ZA030
	Supporting length: 350 mm		802ZA031
For additional support on the worktop area, plinth front, cabinet, etc.			
Scuff guard			
	For front thicknesses starting from 23 mm		802ZA00S
	For front thicknesses less than 23 mm, the scuff guard can be used as additional front protection		
Consisting of:			
3 x		External pocket side scuff guard	
2 x		Internal pocket side scuff guard	
Screws			
	6 x 14.5 mm system screws, nickel plated		661.1450.HG

Ordering information

Z		Accessories	
EXPANDO T – for thin fronts			
	EXPANDO T – single		70T4532T
	EXPANDO T suitable for thin fronts – see page 67		
For front thicknesses less than 18 mm, we recommend a trial application			
Screws are not included in the scope of delivery			

Planning



Installation width/internal width within the application	
EB = 2 x LWA2 + 2 x POB (150 + 150 mm)	EB Installation width
Front width/front protrusion	
FB = (EB - Fsl - 3x Fsm - Fsr): 4 (fronts)	ET Installation depth
Fsl/Fsr = 1.0 – 4.0 mm; Fsm = 2.0 – 8.0 mm	Fsl Gap left
Max. NL = FB + 8 mm	Fsr Gap right
FU = FB - NL + 15 mm (min. FU = 7 mm)	Fsm Centre gap (between the fronts)
Installation depth/pocket depth	
ET = POT + FS (2 mm) + FD	FB Front width
FD = 18 – 26 mm	FD Front thickness
Min. POT = NL + POTV (≥ 100 mm) + PORW (≥ 4 mm)	FS Front gap
POSD = 15 - 19 mm	FU Front protrusion
	LWA Internal width within the application
	LWA2 Internal width within the application, double door
	NL Nominal length
	POB Pocket width
	POT Pocket depth
	PORS Pocket back cut
	PORW Pocket back
	POSD Pocket side thickness
	POTV Pocket depth loss

- By cutting the profiles to size, the front protrusion (FU) can be customised.
- To ensure optimum functionality, the fronts are slightly tilted inside the pocket.
- The internal width within the application determines the maximum width to be planned for the internal construction.
- With front thicknesses (FD) of more than 23 mm, the side gap (pocket side), the outside front radius and the inner radius of the external pocket side must be at least 3 mm.
- For front thicknesses (FD) less than 18 mm (possible depending on material/stability), we recommend a trial application.

Planning

Installation height, front height

Application with plinth

$FH = POH - Fo - Fu$
 $EH \leq POH + POVH$ top and bottom
 $POH = FH + Fo + Fu$
 POVH 10 mm: gap 0 – 6 mm

- Note tilt angle when erecting!
- Minimum distance from the front bottom edge to the floor 10 mm, to the next element above and below 6 mm
- Minimum plinth height 80 mm

EH Installation height
 Fo Top gap
 Fu Bottom gap
 FH Front height
 POH Pocket height
 POVH Pocket connector height

Installation height, front height

Application without plinth

$FH = POH - Fo - Fu$
 $EH \leq POH + POVH$ top and bottom
 $POH = FH + Fo + Fu$
 POVH top 10 mm: gap 0 – 6 mm
 POVH bottom 3 mm: gap from 7 – 13 mm

- Note tilt angle when erecting!
- Minimum distance from the front bottom edge to the floor 10 mm, to the next element above and below 6 mm

EH Installation height
 Fo Top gap
 Fu Bottom gap
 FH Front height
 POH Pocket height
 POVH Pocket connector height

Application with set-back plinth

Additional rear pocket connector

Planning

Inter-door support

- Supports a single door against a double door, two single doors against each other or two double doors against each other

P Pocket

Inner door support

- Support on the worktop area, plinth front, cabinet, etc.
- Distance to internal installation: 70 – 218/350 mm
- Assembly height of the door support ideally as far down as possible, however up to a maximum height of 1000 mm from the front bottom edge

P Pocket

Planning

Track installation dimension

LBH	83 mm
LBD	15 - 19 mm (≤ 17 mm the spacer must be used)
LTF	17 mm
LA	100 mm
LV	LA + ZBD (≥ 15 mm)
<ul style="list-style-type: none"> - We recommend using a cross member to stabilise the fixed shelf. Minimum distance to front edge of internal pocket side = 170 mm - A solid connection between the fixed shelf and the pocket with connector fittings is recommended for an attractive gap layout - No mounting of add-on parts directly on the track 	
FD	Front thickness
LA	Track cut-out
LV	Track installation
LBD	Track cover panel thickness
LBH	Track cover panel height
LTF	Track gap
PORS	Pocket back cut
ZBD	Fixed shelf thickness

Planning

Internal height and internal depth within the application

LHA	$POH - LV$
LTA	$POT - 70$ mm
<ul style="list-style-type: none"> - The internal height/internal depth within the application determines the maximum height/depth to be planned for the internal construction 	
LHA	Internal height within the application
LTA	Internal depth within the application
LV	Track installation
POH	Pocket height
POT	Pocket depth



Product Configurator

Obtain the exact calculation for assembling the cut-to-size profiles quickly and efficiently using the Product Configurator. The configurator calculates all the dimensions for each configuration and also outputs them as drawings.

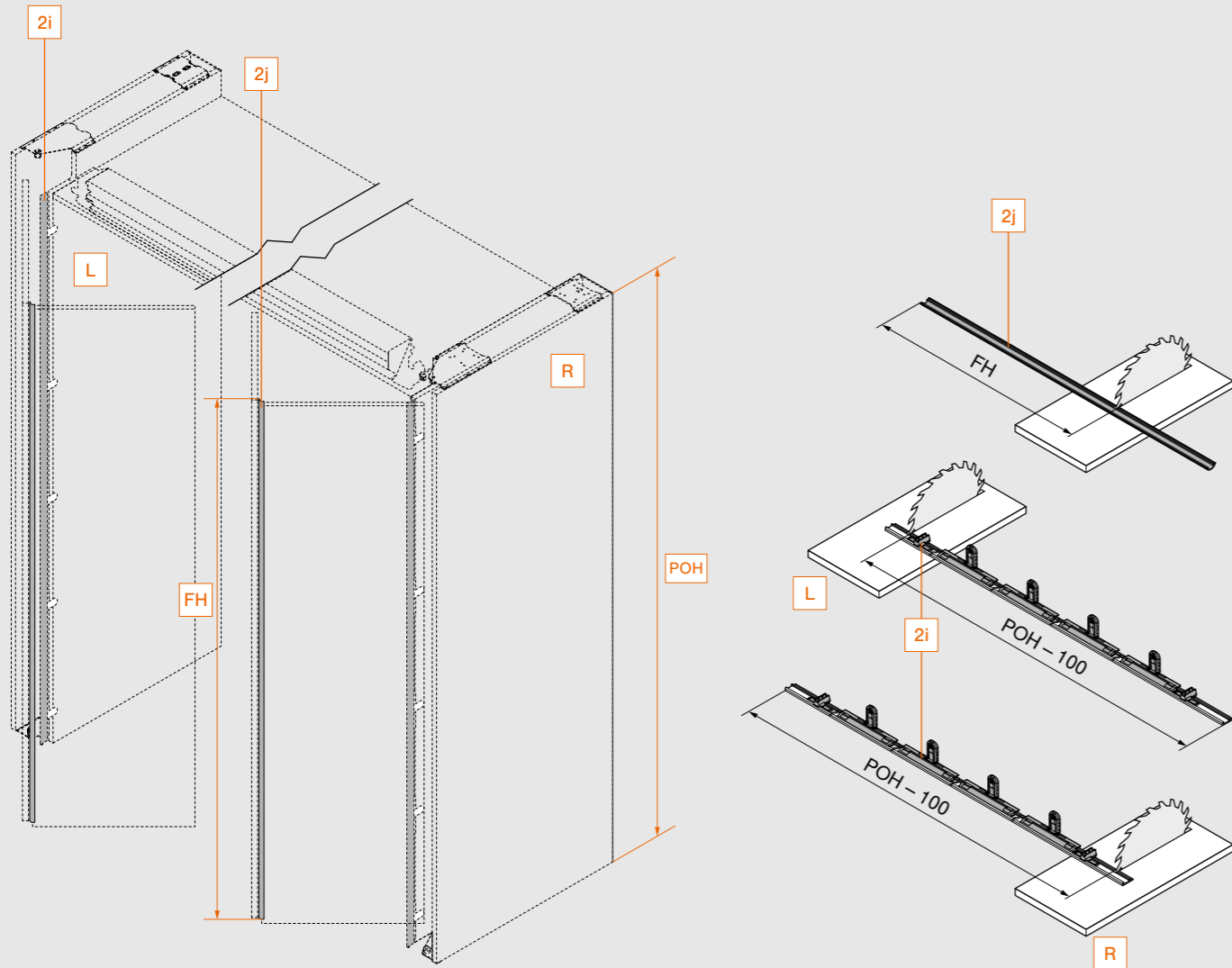


www.blum.com/revpc

Calculations and assembly of the profiles

REVEGO duo | Double door

Pocket cover strip, door cover strip

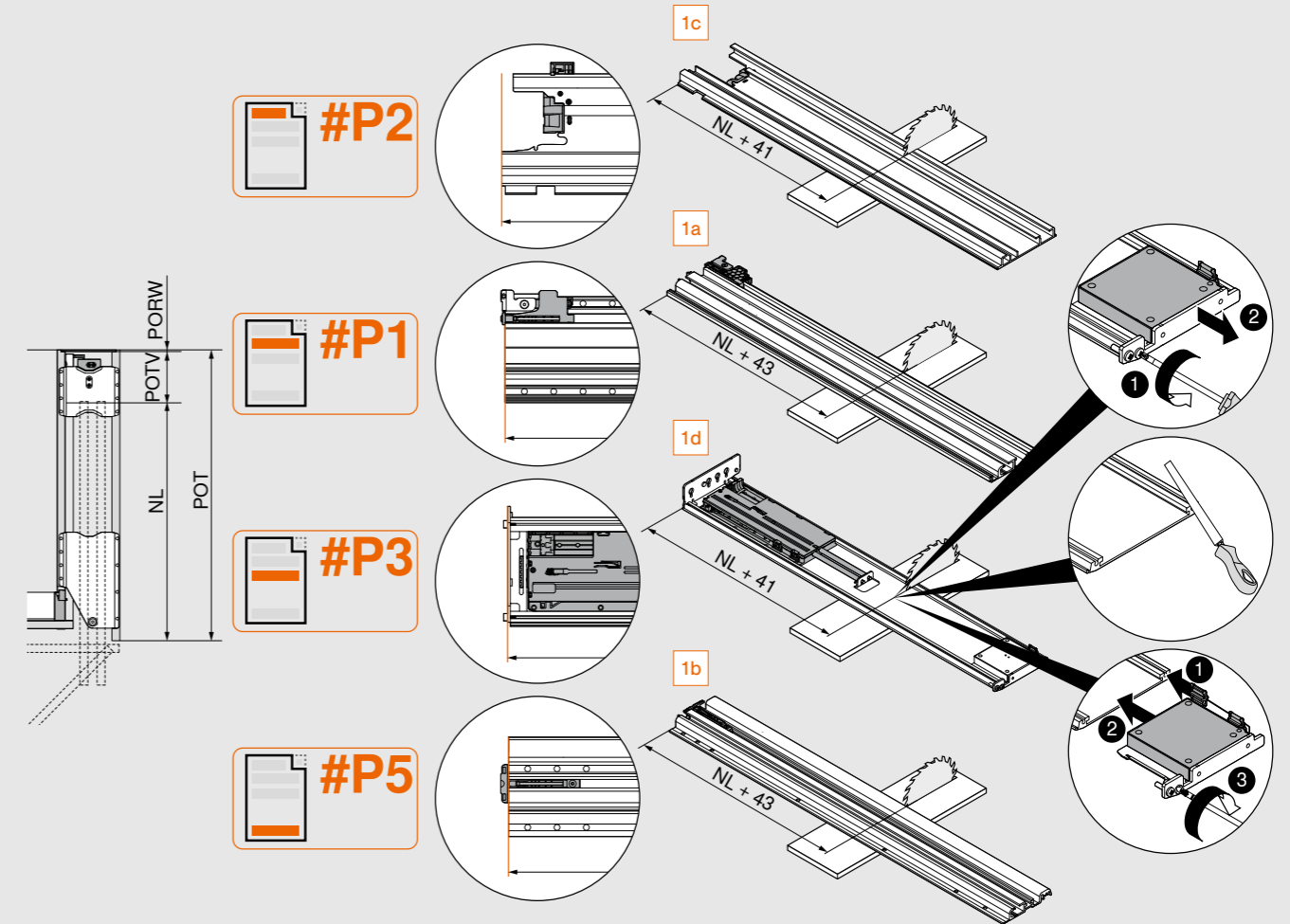


FH	Front height
L	Left
R	Right
POH	Pocket height
2i	Pocket cover strip
2j	Door cover strip

Calculations and assembly of the profiles

REVEGO duo | Double door

Roller profile, pocket profile, TIP-ON unit pocket



$NL = POT - POTV - PORW$

#P1	1a	Top pocket profile
#P2	1c	Roller profile
#P3	1d	TIP-ON unit pocket
#P5	1b	Bottom pocket profile

NL	Nominal length
POT	Pocket depth
PORW	Pocket back
POTV	Pocket depth loss

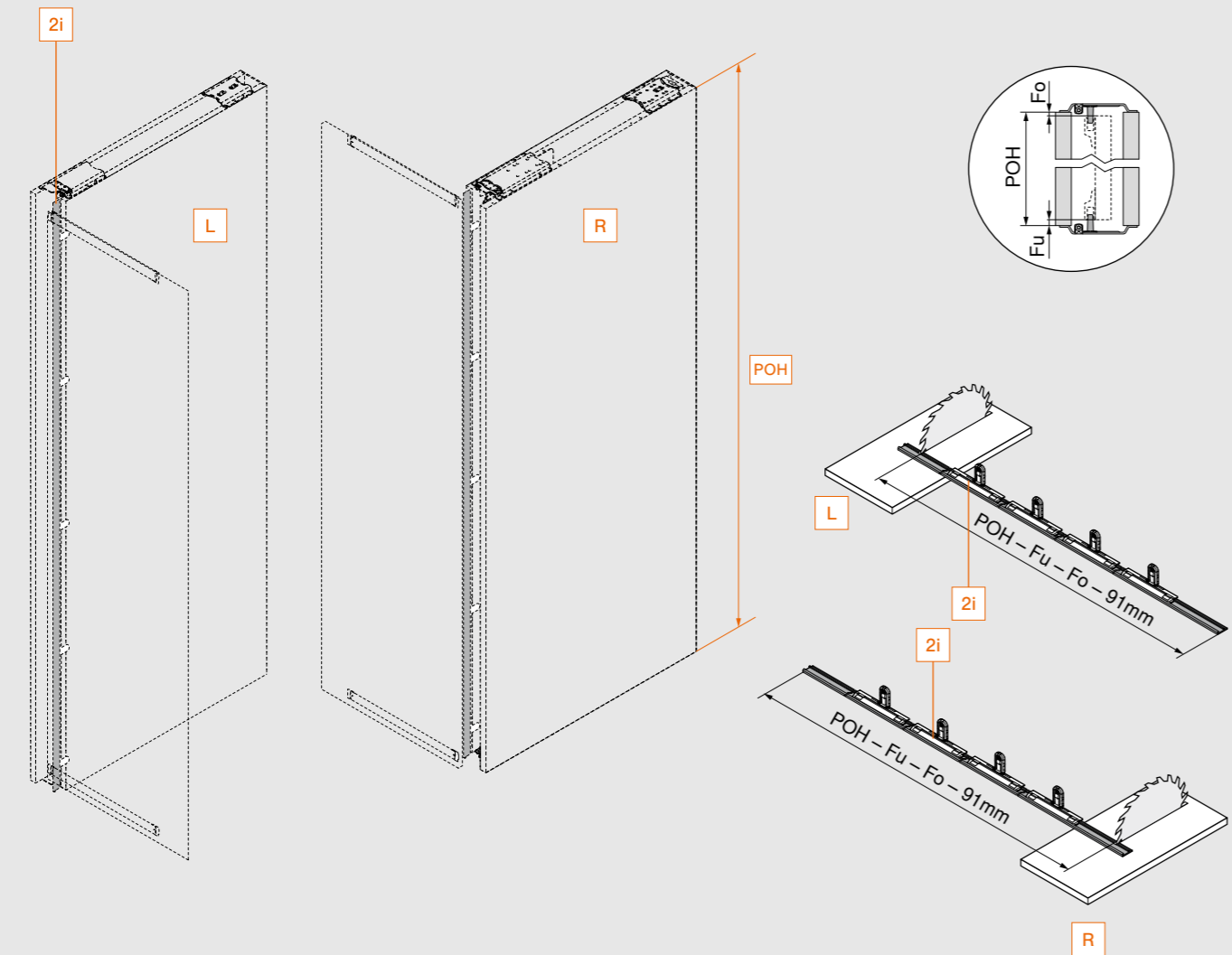
Note

- Pocket and roller profiles as well as TIP-ON unit pocket must not be damaged during cutting to size.
- Pocket and roller profiles as well as TIP-ON unit pocket must be cleaned to remove any dirt and deburred before installation.

Calculations and assembly of the profiles

REVEGO uno | Single door

Pocket cover strip

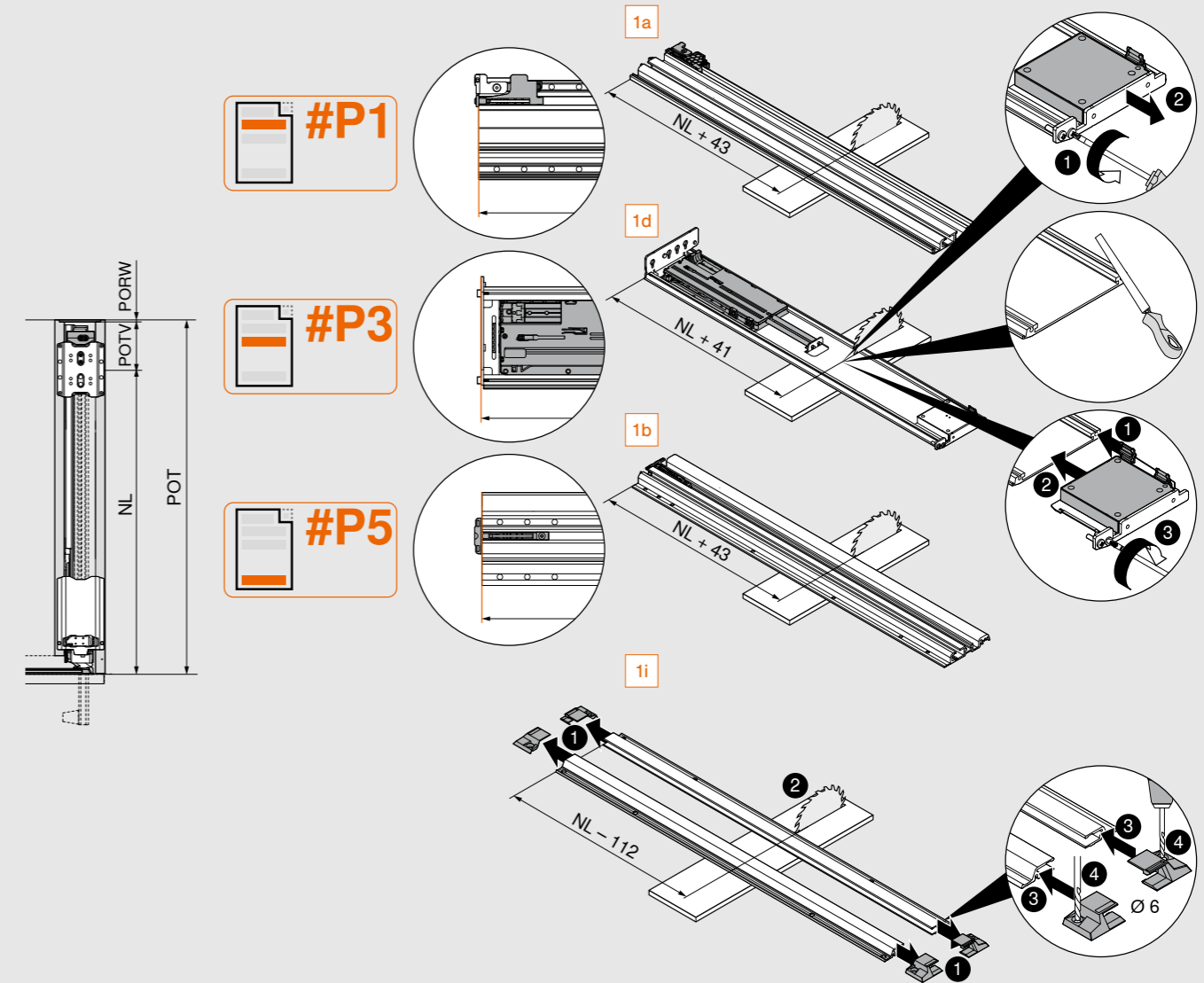


Fo	Top gap
Fu	Bottom gap
POH	Pocket height
L	Left
R	Right
2i	Pocket cover strip

Calculations and assembly of the profiles

REVEGO uno | Single door

Pocket profile, TIP-ON unit pocket, door stabiliser



NL = POT - POTV - PORW

#P1	1a	Top pocket profile
#P3	1d	TIP-ON unit pocket
#P5	1b	Bottom pocket profile
	1i	Door stabiliser

NL	Nominal length
POT	Pocket depth
PORW	Pocket back
POTV	Pocket depth loss

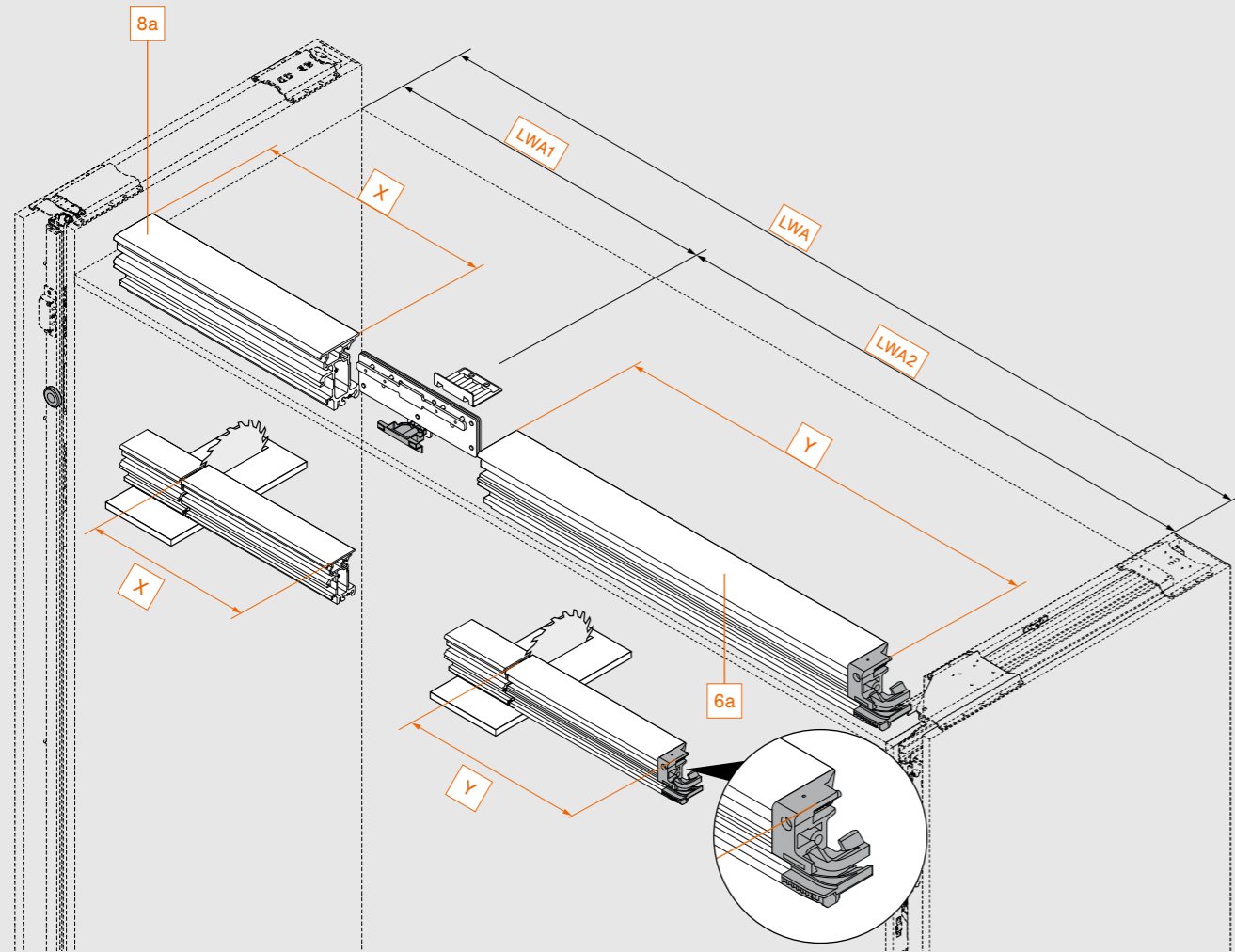
Note

- Pocket profiles, TIP-ON unit pocket and door stabiliser must not be damaged during cutting to size.
- Pocket profiles, TIP-ON unit pocket and door stabiliser must be cleaned to remove any dirt and deburred before installation.

Calculations and assembly of the profiles

REVEGO duo | Double door

Track, track extension



Application	X	Y
REVEGO duo	-	LWA - 12 mm
REVEGO uno + duo	LWA1 - 58 mm	LWA2 - 12 mm
REVEGO duo + duo	-	LWA2 - 12 mm

LWA	Internal width within the application
LWA1	Internal width within the application, single door
LWA2	Internal width within the application, double door
6a	Track
8a	Track extension

EXPANDO T



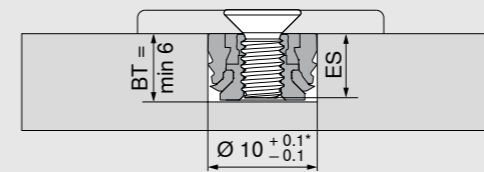
- EXPANDO T – fixing system
- Thin fronts of 8 mm or more
- Different front materials

EXPANDO T – single



Colour	Material	
Dark grey	Nylon/steel	70T4532T

Drilling depth | Screw selection – EXPANDO T



Screws with M4 thread have to be used for EXPANDO T single

The lowest possible drilling depth should be selected for the single dowel depending on the screw length

BT Drilling depth

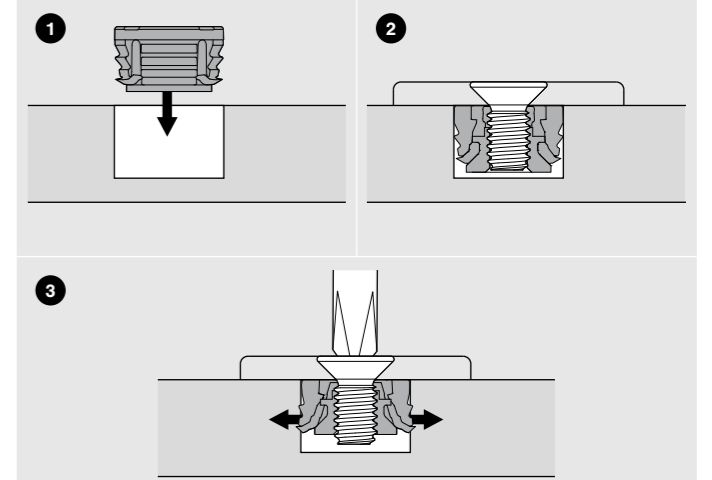
ES Screw penetration depth

ES min. = 4 mm

ES max. = BT - 0.5 mm

* Stone and ceramic +0.2/-0.1 mm

Assembly – EXPANDO T



Area of application and assembly recommendation

EXPANDO T is suitable for fixing Blum fittings to thin cabinet fronts of all types of materials. Front materials can be just 8 mm thick or more, provided they are sufficiently stable and strong.

Materials tested by Blum	Nm
Chipboard (transverse tensile strength > 0.4 N/mm ²)	1.5
MDF (transverse tensile strength > 0.6 N/mm ²)	1.5
HDF	2
HPL	2
Mineral composites	2
Granite stone – nero assoluto	3
Artificial stone – quartz composite	3
Ceramic panels	3

Nm Minimum tightening torque

Limitation of liability

Blum accepts no liability for the use of EXPANDO T in combination with materials not listed or fittings from other manufacturers. It is recommended that assembly be carried out by an experienced furniture manufacturer.



Find more information on assembly and adjustment of EXPANDO T at

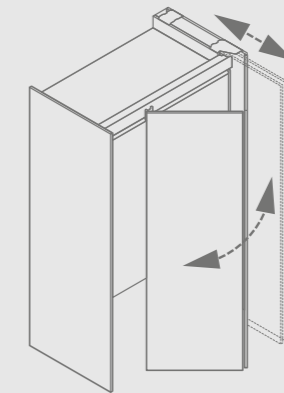
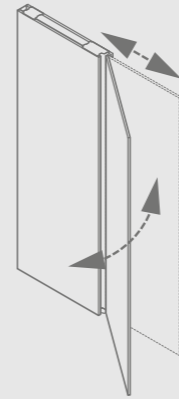
www.blum.com/expando-t-9

Gauge set for REVEGO pocket connector

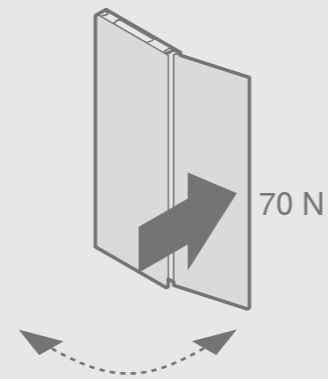
- Drilling template for horizontal drillings on REVEGO pocket connectors on the pocket side panel
- Material: nylon/steel/aluminium

Ordering information

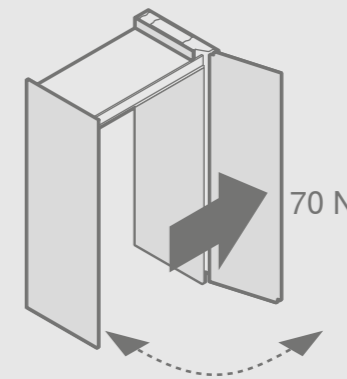
STL.8000

Internal testing and inspection regulations**Durability**

40,000 opening and closing cycles.

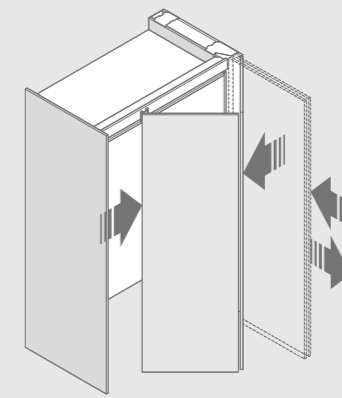
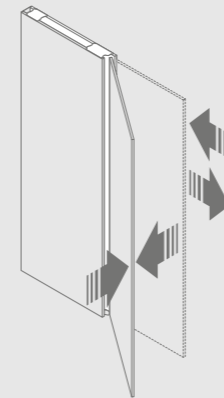
Abuse test

70 N

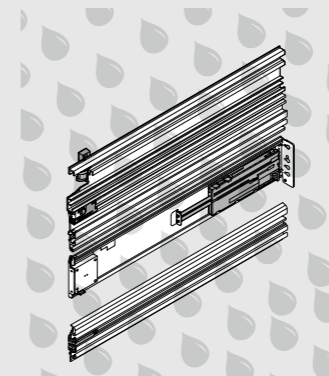


70 N

Horizontal load test for securing unintended overload

Slam open/slam shut test

To simulate overload when opening and closing and ensure that the fronts do not detach from fittings.

Corrosion test

Based on DIN EN ISO 9227 and DIN EN ISO 6270-2 for simulating corrosion influences.

moving ideas

Regardless of the ideas you have, we have the products and services to help you make them a reality. REVEGO inspires new approaches to planning and furniture construction to create new sensations and a better quality of living. Our high-quality pocket systems make planning and assembly easier than ever before for manufacturers, while offering users completely new levels of convenience. Day after day.



Quality of living

We would like you to enjoy greater convenience and functionality when using furniture.



Product range

Everything from a single source: our wide range of products allows you to keep up with today's and tomorrow's trends.



Inspiration

We monitor global trends and strive to create the solutions of tomorrow. We like to share our insights with you.



Innovation

We stay in motion. Curiosity and pioneering spirit drive us to develop new products and services for you.



Services

We support your daily operations with customised services tailored to your processes.



Quality

We continuously strive to improve our products, services and ourselves.



Trust

We take responsibility for partnerships, our employees, society and the environment.

Julius Blum started our journey in 1952 with horseshoe studs. Today we supply innovative fittings to customers in over 120 countries.


 **Houzz** PRO:
Blum Australia

 **Instagram:**
@blumaustralia, #blumaustralia

 **Facebook:**
facebook.com/blumaustralia

 **LinkedIn:**
linkedin.com/company/blum-australia

 **Android App on Google Play:**
Easy Assembly App

 **Available on the App Store:**
Easy Assembly App – REVEGO AR

 **Tag Us:**
#blumaustralia

**Blum Showrooms
Sydney (Head Office)**

10 Blackbird Close
Len Waters Estate NSW 2170
Ph: 02 9612 5400

Adelaide

179 Railway Terrace
Mile End SA 5031
Ph: 08 8118 6070

Brisbane

6/39-45 Compton Road
Underwood QLD 4119
Ph: 07 3135 9490

Melbourne

245 Ferntree Gully Road
Mount Waverley VIC 3149
Ph: 03 9982 1720

Perth

3/425 Scarborough Beach Road
Osborne Park WA 6017
Ph: 08 6467 0110

Blum Australia Pty Ltd
PO BOX 1615
Green Valley, NSW, 2168
Australia
Toll Free: 1800 179 186
E-mail: info.au@blum.com
blum.com

