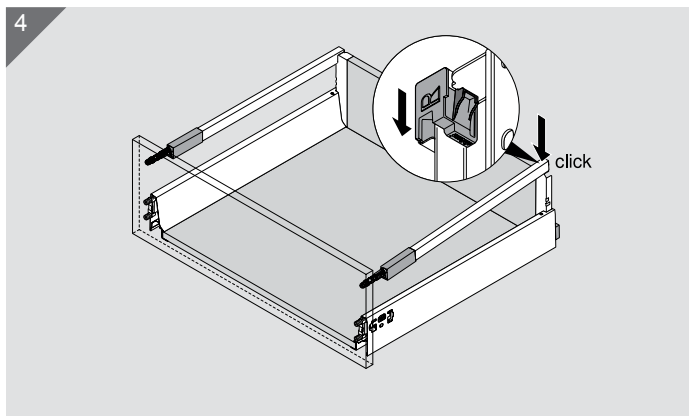
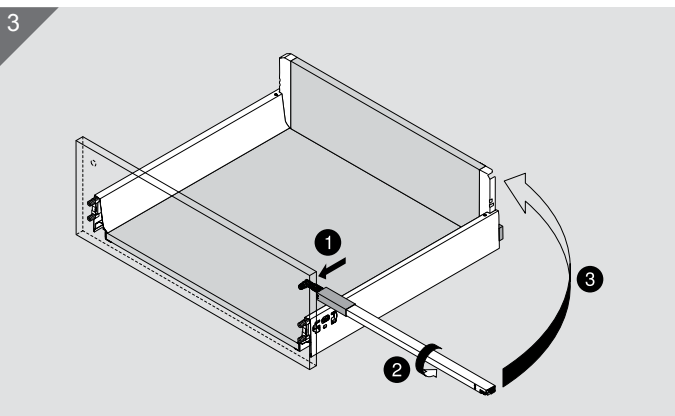
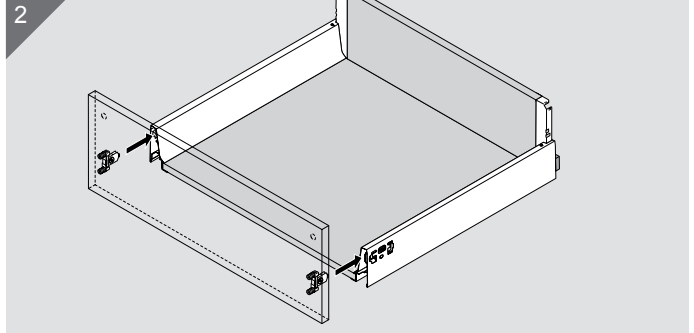
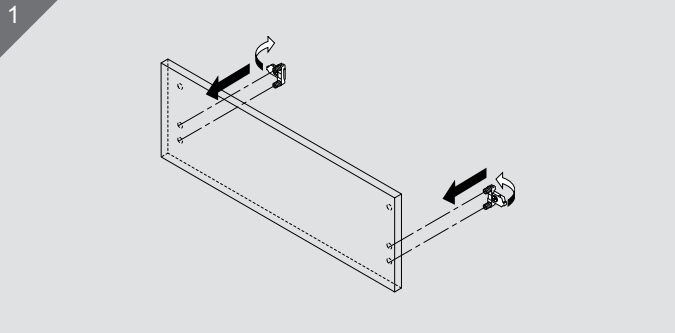
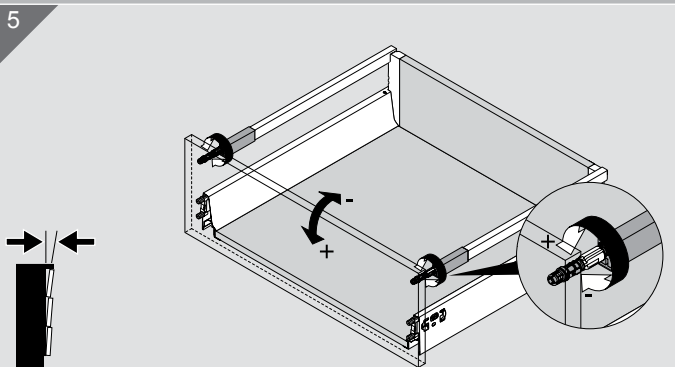


Assembly, removal and adjustment

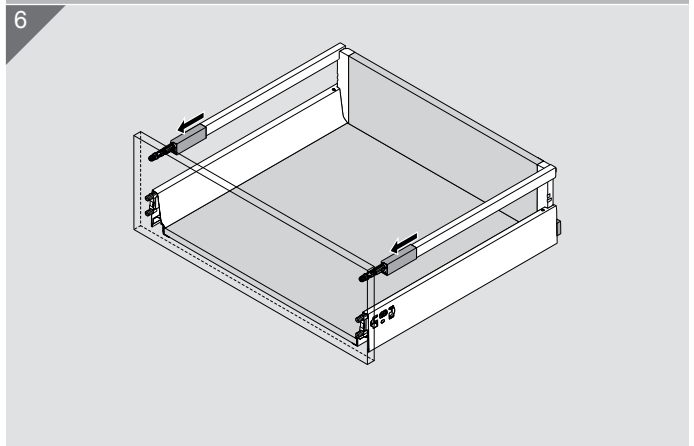
High fronted pull-out



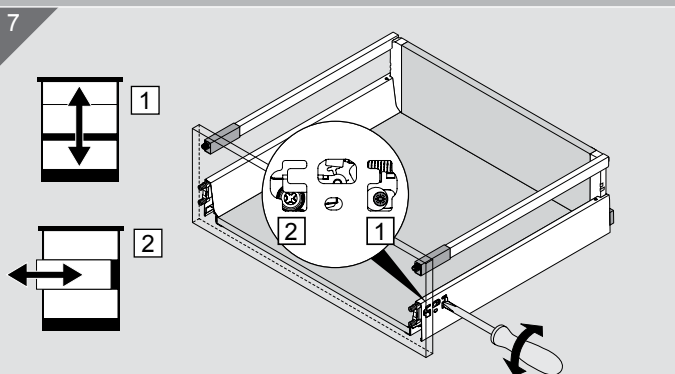
Tilt adjustment



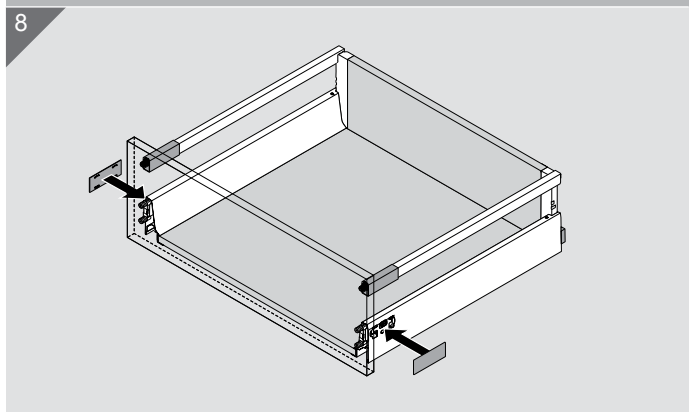
Comment: If a gallery rod is adjusted, the same adjustment must be made on all remaining rods



Height adjustment + side adjustment



Comment: Both sides require adjustment

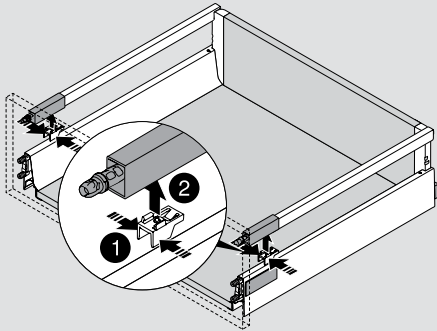


Assembly, removal and adjustment

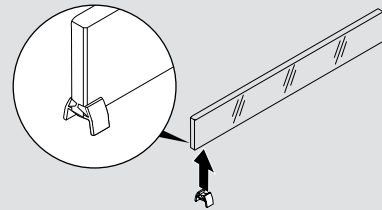


Design element

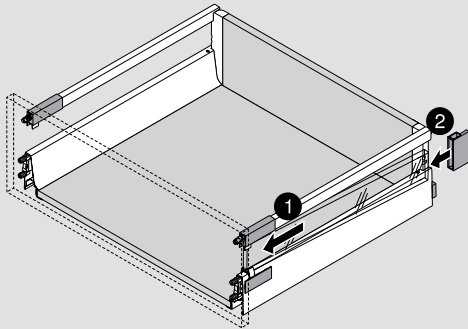
1



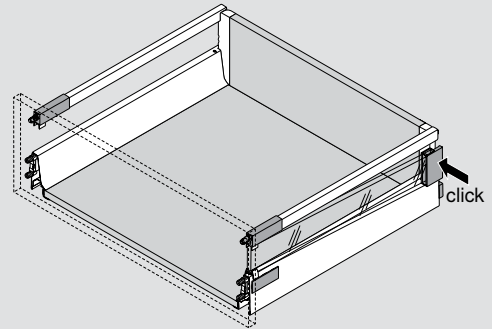
2



3

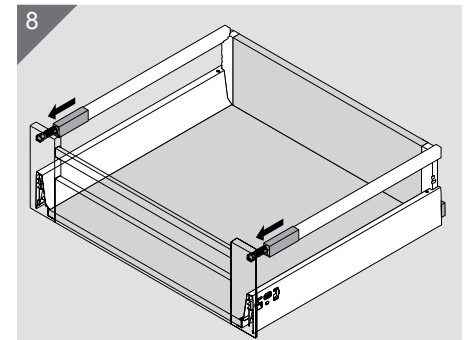
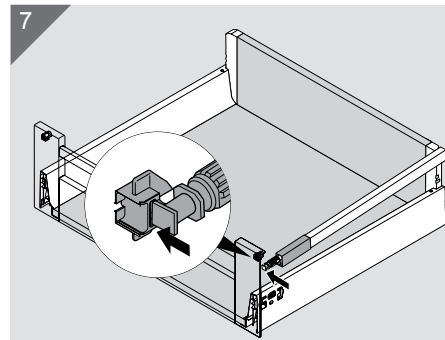
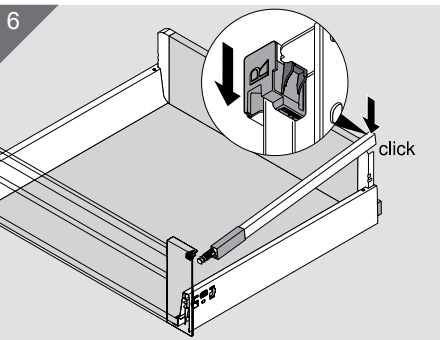
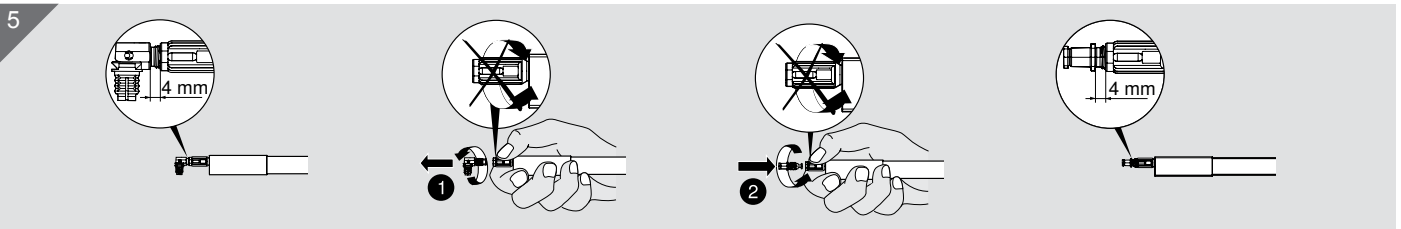
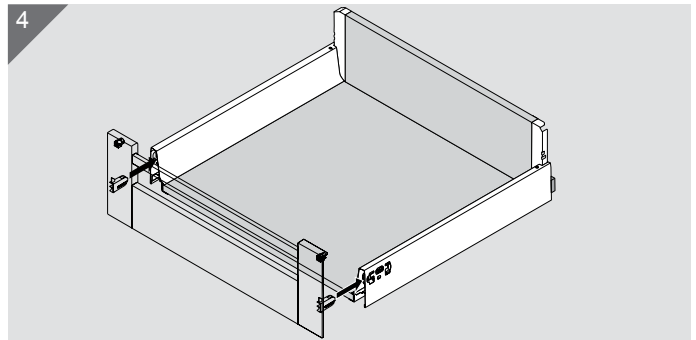
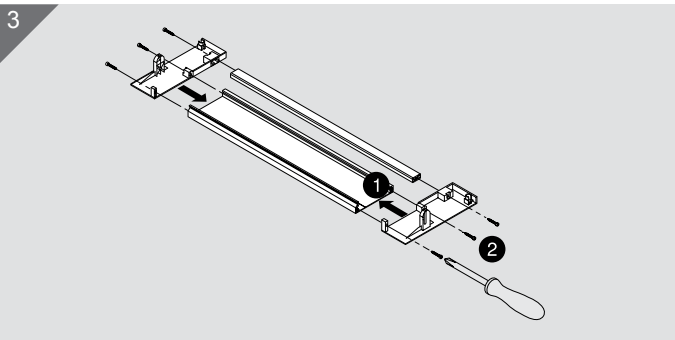
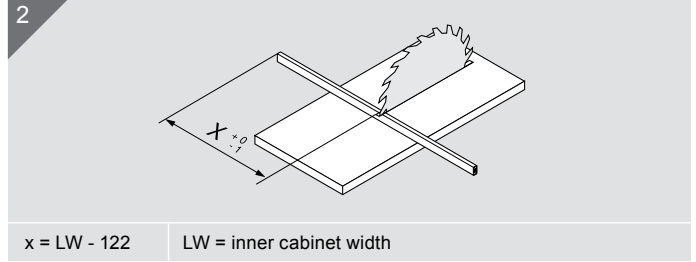
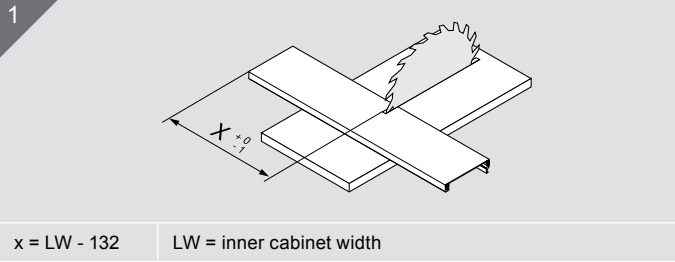


4

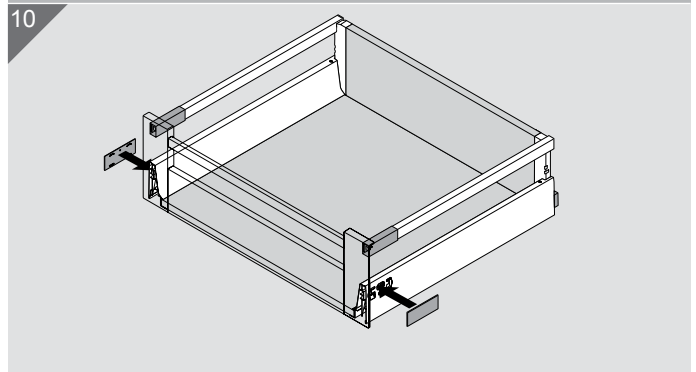
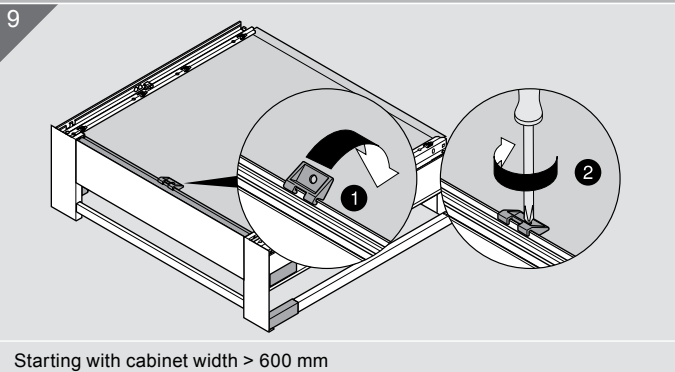


Assembly, removal and adjustment

Inner pull-out



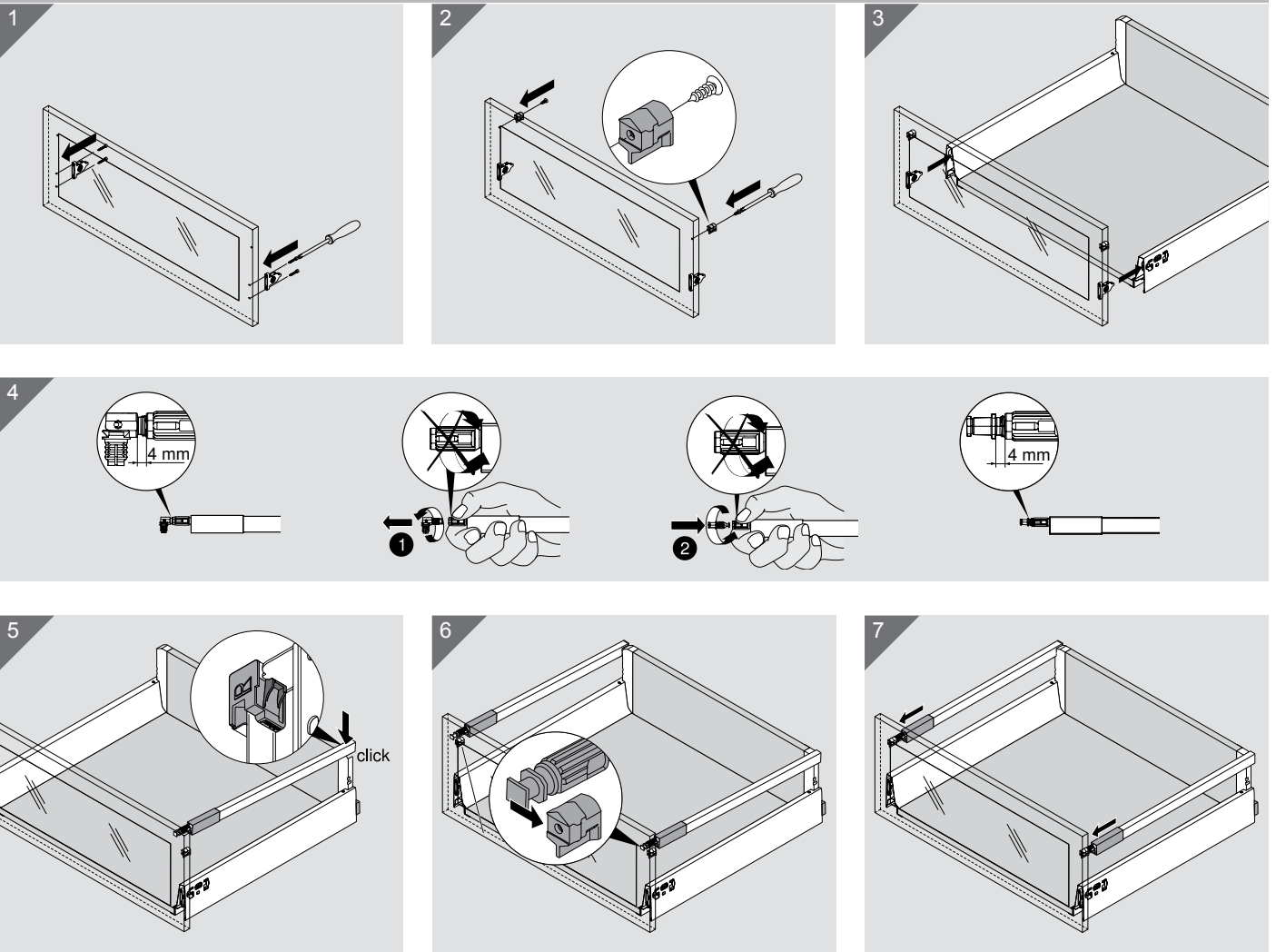
Locking piece



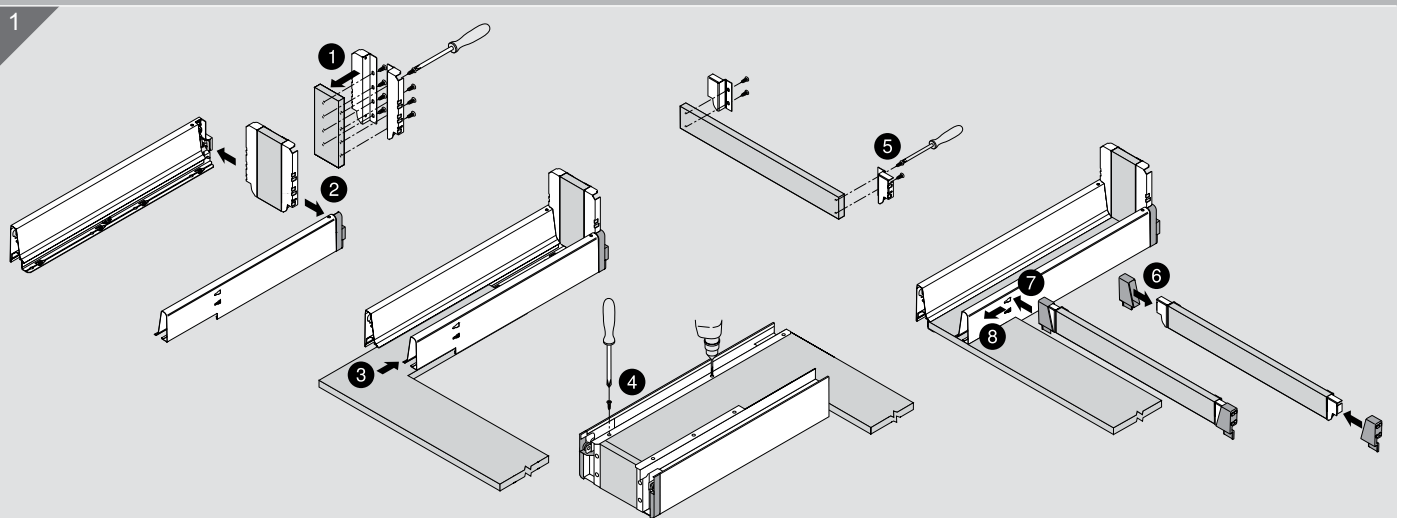
Assembly, removal and adjustment



Alu frame



Sink pull-out



Gallery assembly and adjustment

55

Cover cap assembly

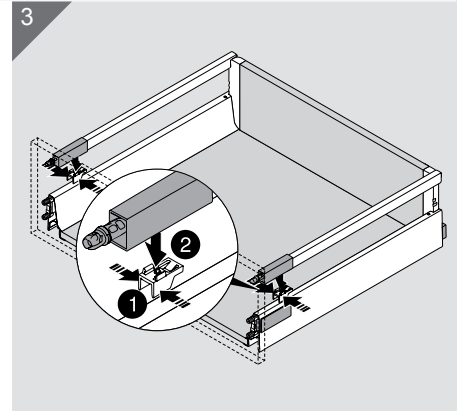
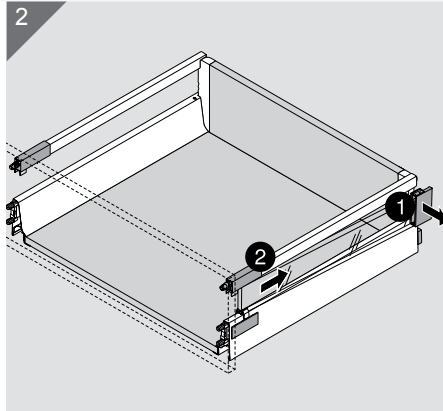
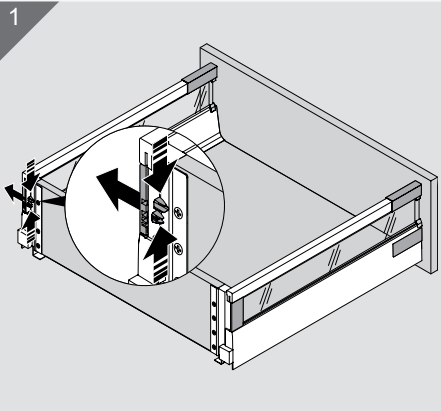
55

Design element assembly

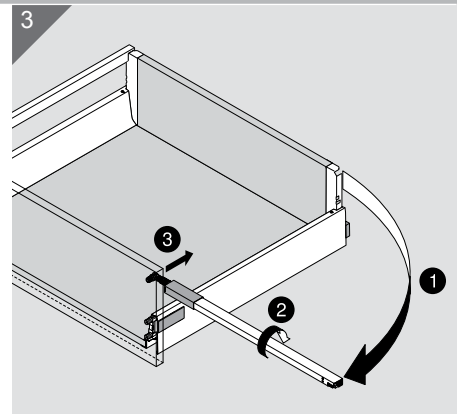
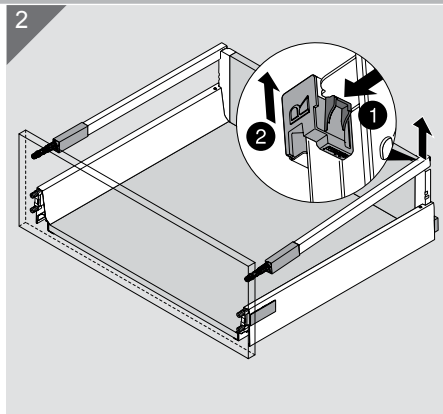
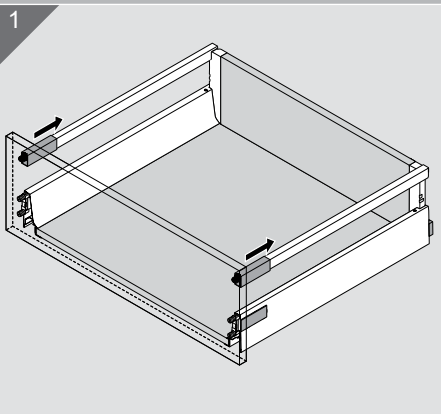
56

Assembly, removal and adjustment

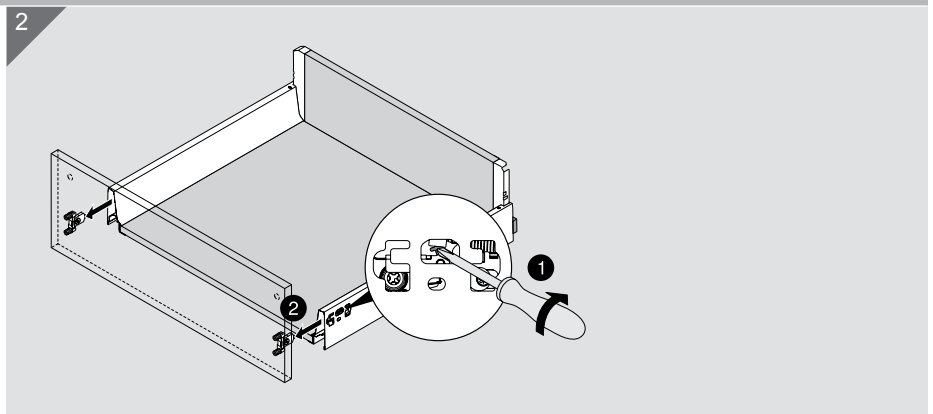
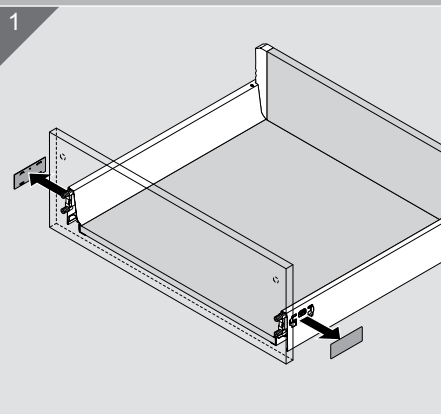
Design element removal



Gallery removal – high fronted pull-out



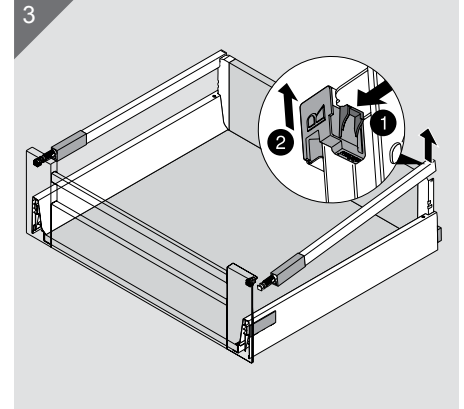
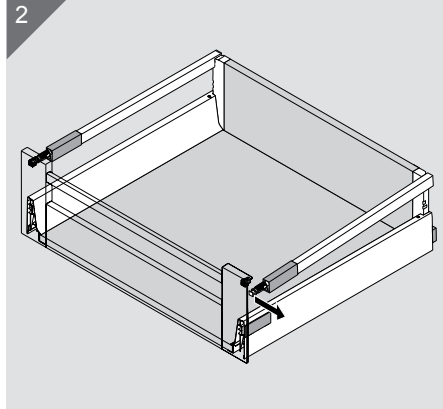
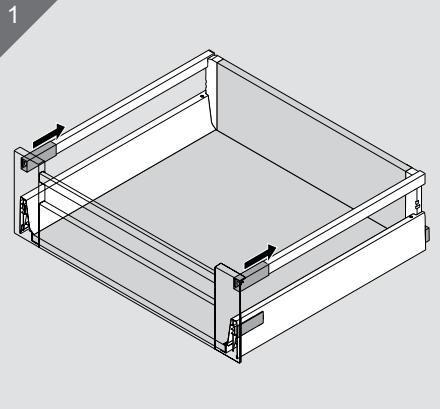
Front removal



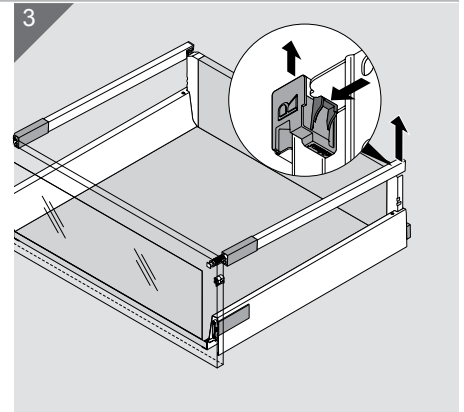
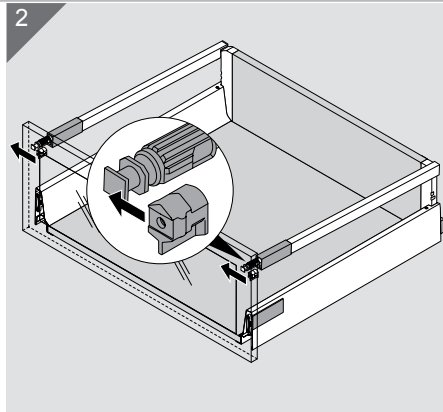
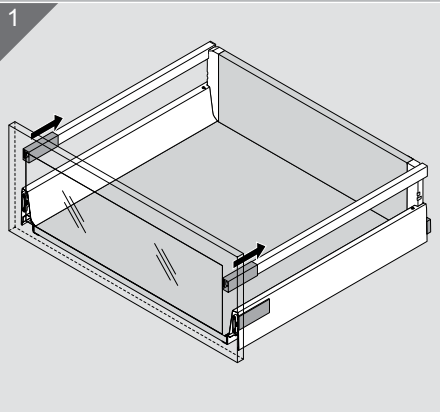
Assembly, removal and adjustment



Gallery removal – inner pull-out



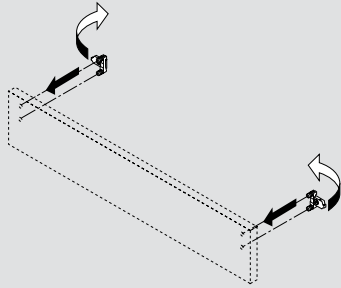
Gallery removal – alu frame



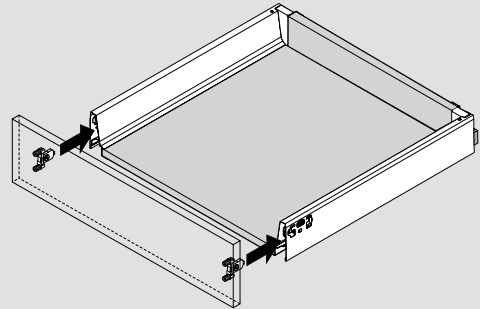
Assembly, removal and adjustment

Drawer

1

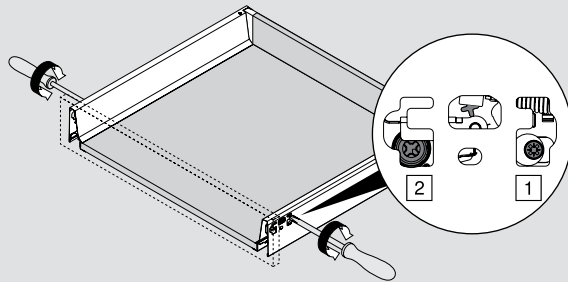
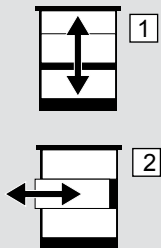


2



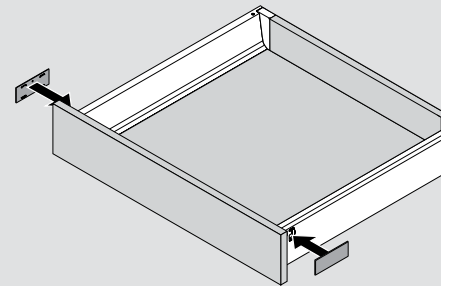
Height adjustment + side adjustment

3



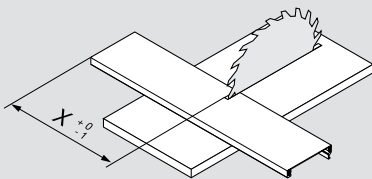
Comment: Both sides require adjustment

4



Inner drawer

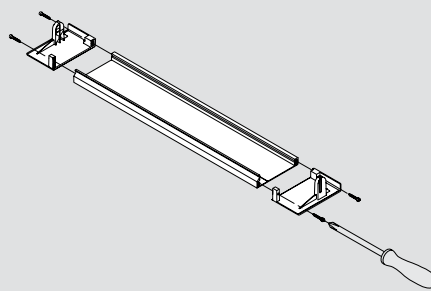
1



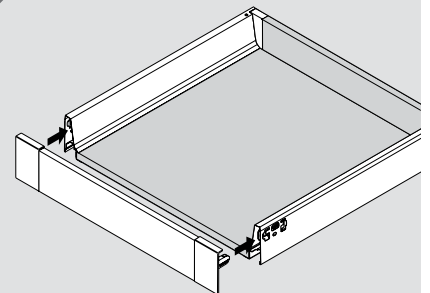
$$x = LW - 132$$

LW Inner cabinet width

2

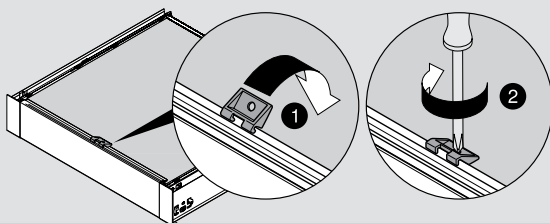


3



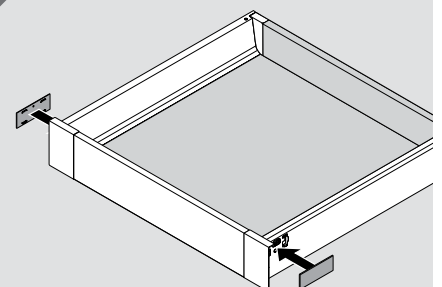
Locking piece

4



Starting with cabinet width > 600 mm

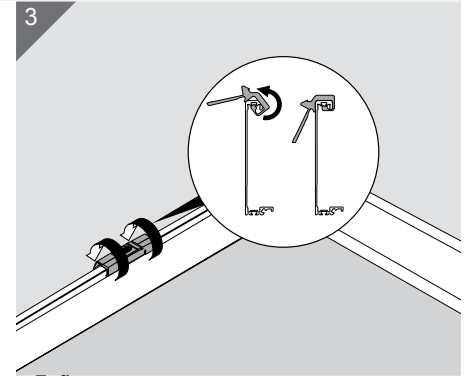
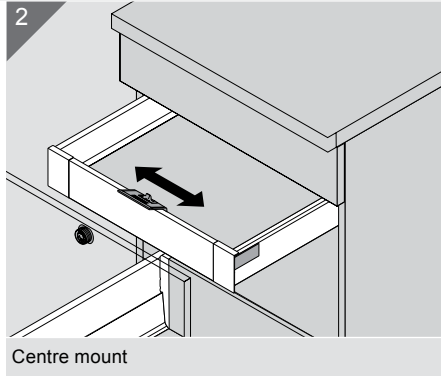
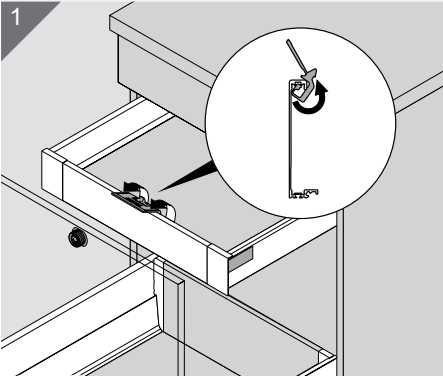
5



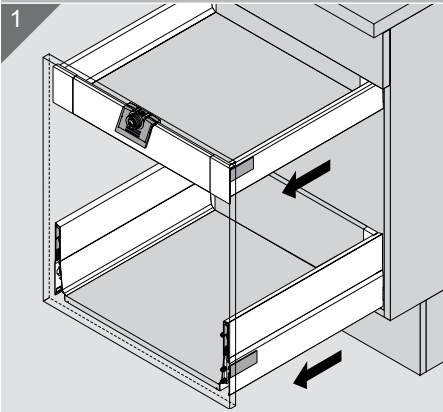
Assembly, removal and adjustment



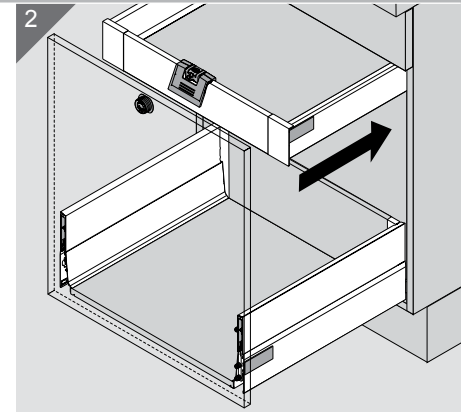
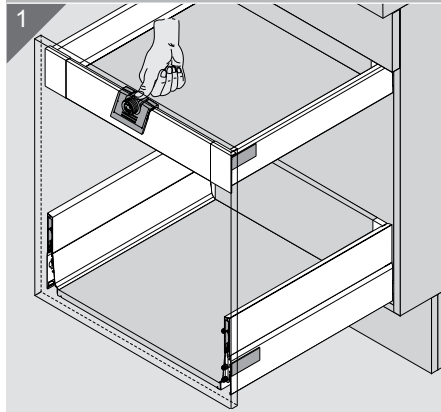
Handle and latch



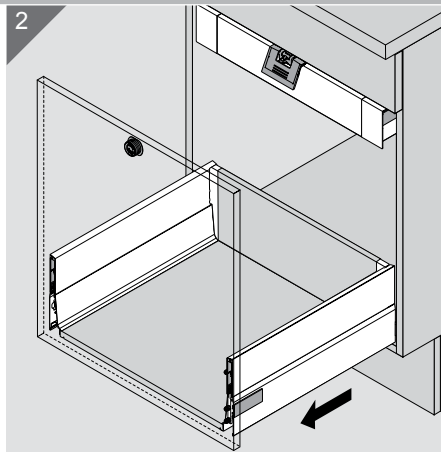
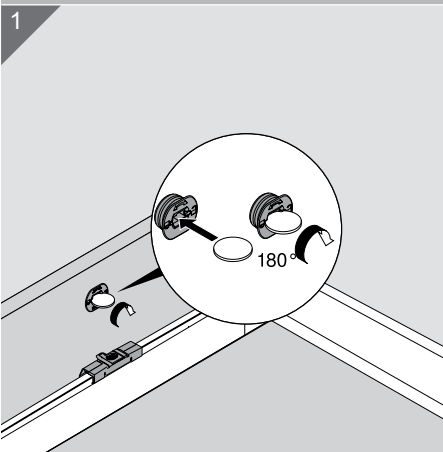
Latch activated



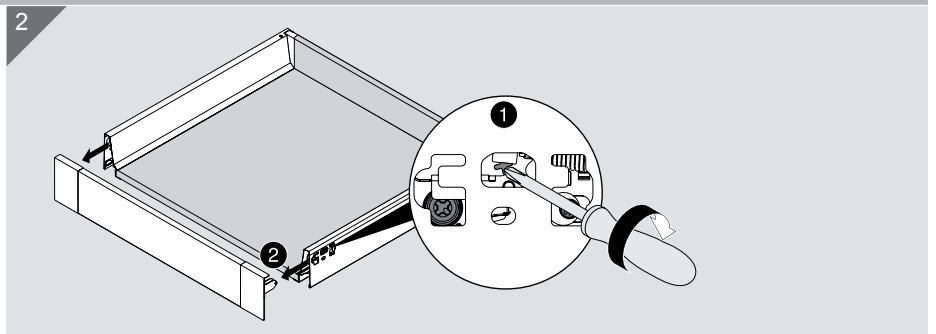
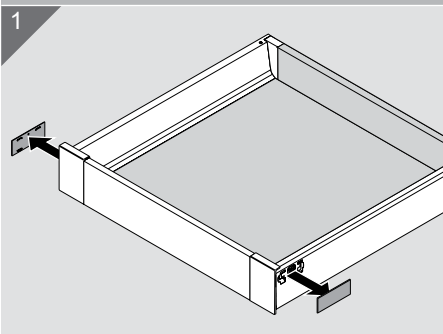
Release



Deactivate latch

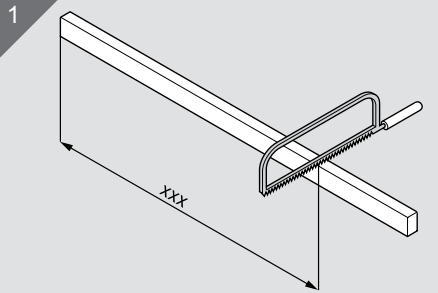


Front removal



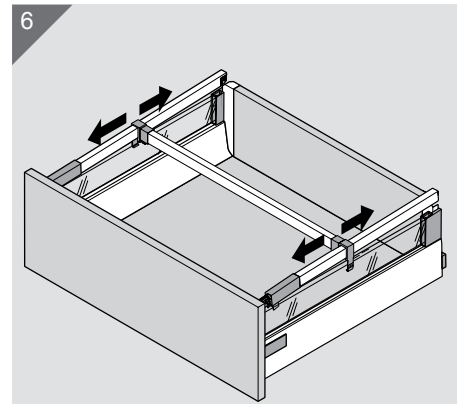
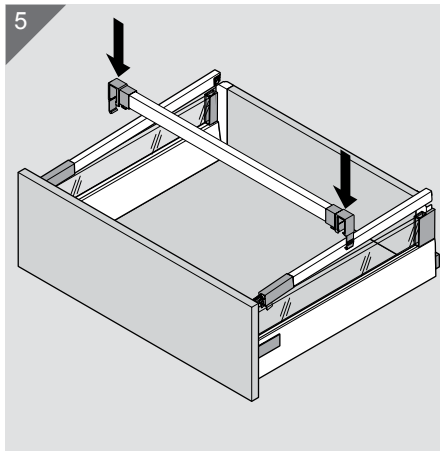
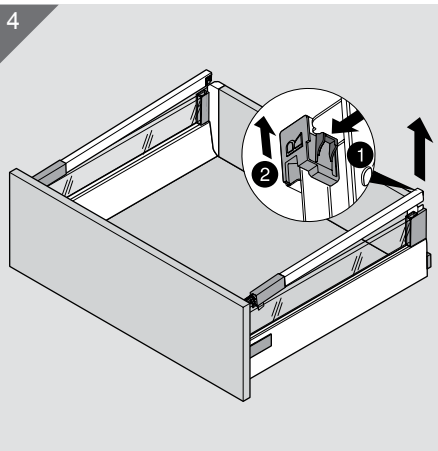
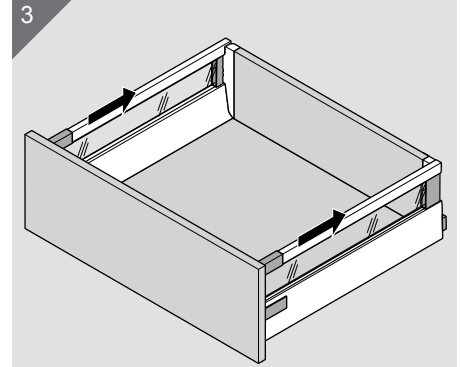
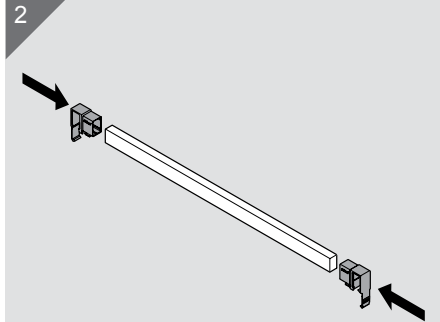
Assembly, removal and adjustment

Cross divider



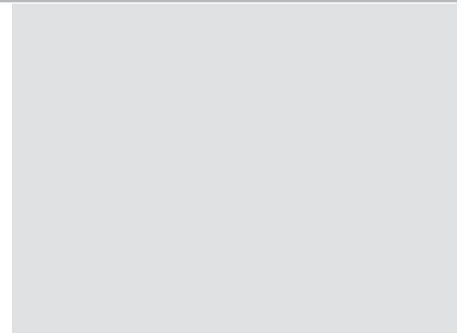
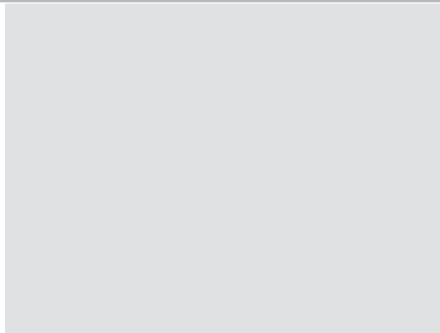
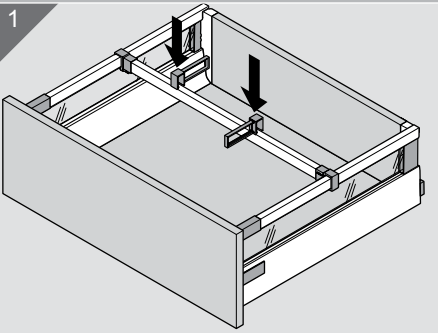
XXX = LW - 63 mm

LW = inner cabinet width



Adjustment – cross gallery

Longside divider



Cross gallery removal

